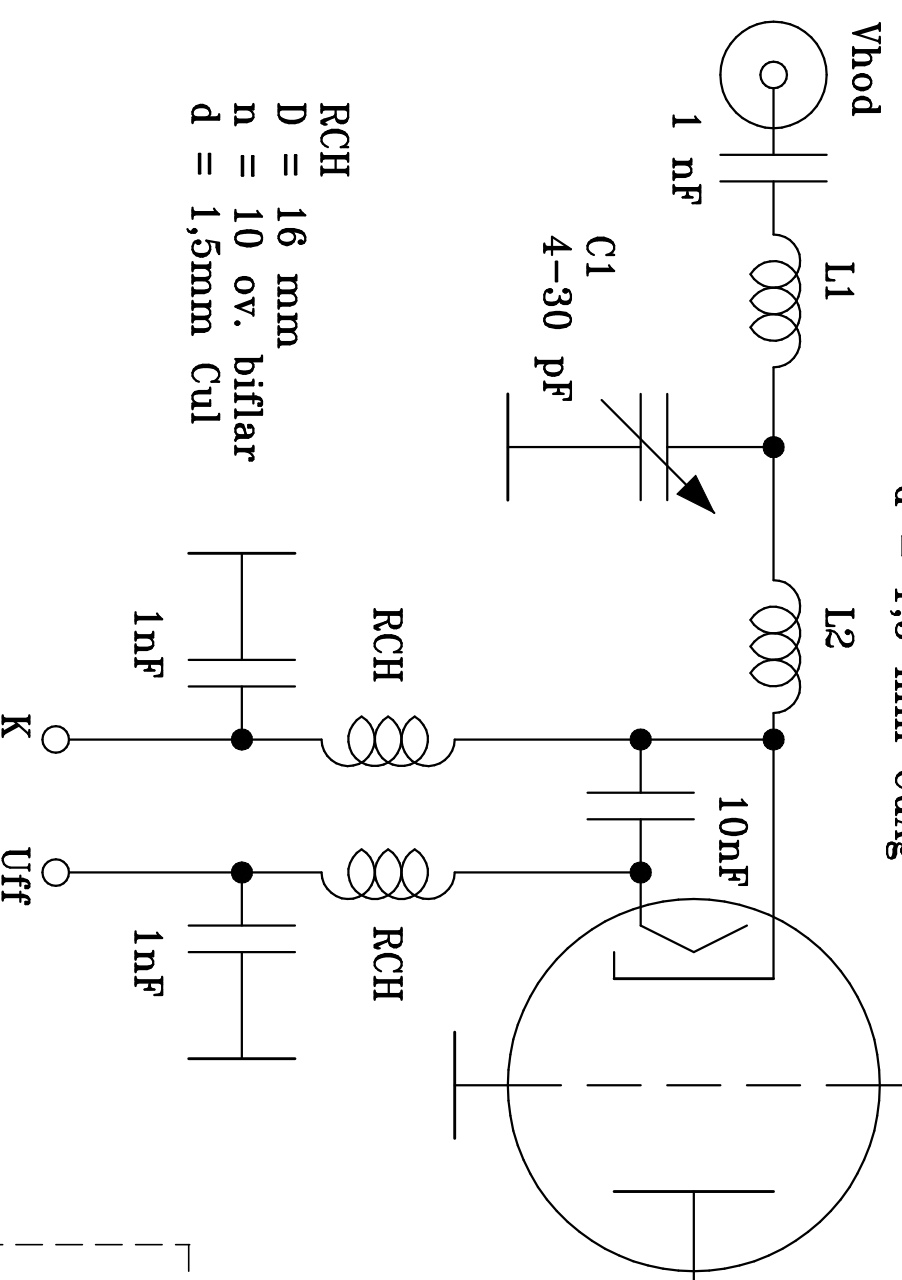


144 MHz GS35b PA

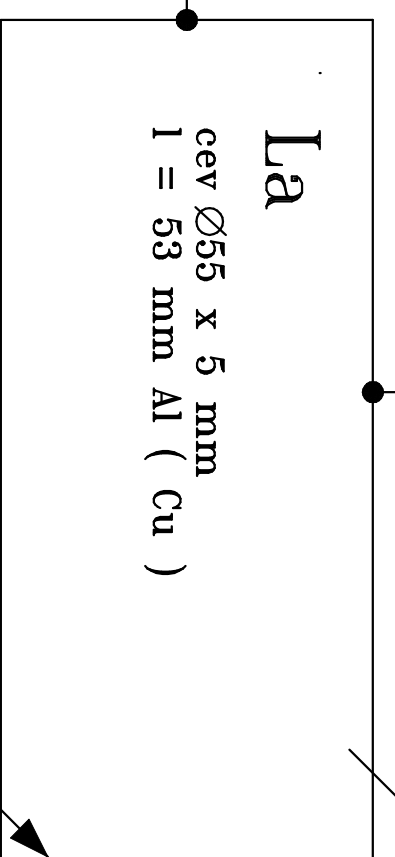
L1
D = 12 mm
n = 5 ov. l = 15 mm
d = 1 mm CuAg

L2
D = 12 mm
n = 4 ov. l = 20 mm
d = 1,5 mm CuAg

RCF
D = 16 mm
n = 7 ov. l = 35 mm
d = 1,5 mm CuAg



GS35b



Cant = Ct
disk Ø80 mm nasproti
plošče 100 x 100 x 3 mm

+Ua
3 kV

Ca
1nF 4kV

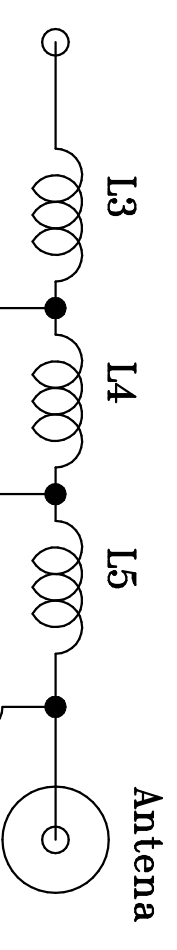
Izhod

RCH
D = 16 mm
n = 10 ov. biflar
d = 1,5mm CuI

K

Uff

Izhodni filter



L3 = L5

D = 10 mm

n = 3 ov. l = 15 mm

d = 2 mm CuAg

L4

D = 13 mm

n = 4 ov. l = 15 mm

d = 2 mm CuAg

L6

D = 16 mm

n = 20 ov. l = 40 mm

d = 1,5 mm CuAg

C2 = C3 = 18 pF

18 cm koaksialnega kabla