



**FIBOX**  
Enclosing innovations

## Enclosure catalogue

Version 4.0GB

## Contents

Fibox Enclosing innovations	2
Fibox web services	3
Enclosure selection guide	4
Fibox quality; NEMA/UL classifications of protection	6
IP/IK classifications	7
How to select the right enclosure material	8
Fibox enclosure gaskets offer best protection	10
Customizing services	11

<b>FIBOX MNX</b>	<b>100 x 100 x 35 mm - 360 x 255 x 150 mm</b>	<b>13</b>
------------------	---	-----------

Polycarbonate and ABS enclosures

<b>FIBOX DG</b>	<b>280 x 190 x 111 mm</b>	<b>39</b>
-----------------	---------------------------	-----------

Polycarbonate and ABS enclosures

<b>FIBOX TEMPO</b>	<b>187 x 122 x 90 mm - 344 x 289 x 117 mm</b>	<b>43</b>
--------------------	---	-----------

ABS enclosures

<b>FIBOX PICCOLO</b>	<b>110 x 80 x 65 - 230 x 140 x 125 mm</b>	<b>51</b>
----------------------	---	-----------

Polycarbonate and ABS enclosures

<b>FIBOX EURONORD</b>	<b>50 x 45 x 32 - 310 x 600 x 180 mm</b>	<b>59</b>
-----------------------	--	-----------

Polycarbonate and ABS enclosures

Aluminium enclosures

Polyester enclosures

<b>FIBOX SOLID</b>	<b>188 x 188 x 130 - 558 x 378 x 180 mm</b>	<b>117</b>
--------------------	---	------------

Polycarbonate and ABS enclosures

<b>FIBOX MCE</b>	<b>200 x 116 x 105 - 580 x 306 x 105 mm</b>	<b>129</b>
------------------	---	------------

Modular polycarbonate enclosures

<b>FIBOX EK</b>	<b>190 x 190 x 130 - 760 x 560 x 250 mm</b>	<b>137</b>
-----------------	---	------------

Polycarbonate enclosures

<b>FIBOX CAB</b>	<b>150 x 150 x 110 - 1000 x 800 x 300 mm</b>	<b>151</b>
------------------	--	------------

Polycarbonate cabinets

ABS cabinets

Polyester cabinets

<b>FIBOX QUICK</b>	<b>300 x 200 x 170 - 600 x 400 x 270 mm</b>	<b>169</b>
--------------------	---	------------

Polycarbonate and ABS enclosures

<b>FIBOX SPACE LINK</b>	<b>200 x 300 x 170 - 600 x 400 x 270 mm</b>	<b>179</b>
-------------------------	---	------------

Polycarbonate enclosures

<b>FIBOX CARDMASTER</b>	<b>160 x 166 x 78 - 316 x 363 x 156 mm</b>	<b>191</b>
-------------------------	--	------------

Polycarbonate and ABS enclosures

<b>ATEX APPROVED ENCLOSURES</b>		<b>201</b>
---------------------------------	--	------------

ALX aluminium enclosures 45 x 50 x 32 - 162 x 263 x 91 mm

FEX polycarbonate enclosures 188 x 188 x 130 - 558 x 378 x 180 mm

PEX polyester enclosures 75 x 80 x 55 - 405 x 400 x 120 mm

<b>FIBOX CABLE MANAGEMENT</b>		<b>207</b>
-------------------------------	--	------------

Cable gland plates

Cable entries and cable glands

<b>FIBOX GENERAL ACCESSORIES</b>		<b>211</b>
----------------------------------	--	------------

Inspection windows

Ventilation devices

<b>Enclosure index</b>		<b>215</b>
------------------------	--	------------



Fibox MNX



Fibox EURONORD



Fibox TEMPO



Fibox EK



Fibox CAB

# FIBOX – Enclosing innovations

**Innovation is defined as something newly introduced. Perhaps it is a new method, an improved solution, a new design, or an entirely new device. Whatever your innovation, it represents a change for the better, and as always, it is the result of both your inspiration and your hard work.**

**At Fibox, we appreciate your effort and match it with our own. Fibox is the leading innovator in developing enclosure solutions to protect your electrical and electronic designs from hostile environments. Simply put, we enclosure your innovations.**

## 40 YEARS EXPERIENCE

In 1966, Fibox introduced the first modular enclosure injection moulded from polycarbonate plastic. These enclosures began a new era in electrical panel building. From the beginning, a commitment to innovation resulted in continuous product improvement, resulting in more than 20 patents. Our on-going product development has fuelled the dramatic and rapid growth of Fibox.

Whatever your application, the Fibox enclosure product family features the widest range of high quality enclosures for the packaging and protection of electrical and electronic components and systems. Fibox offers over 1000 enclosure variations. Enclosures can be delivered in standard off-the-shelf configurations, or customized to your exact specification. For higher volume OEM's, Fibox offers custom moulds and contract manufacturing.

## TECHNICAL INNOVATION

Fibox is the industry leader in developing both new products and new technologies for injection moulding thermoplastic enclosures. At Fibox, we consider moulding technology a key element contributing to product improvement. For example, the Fibox MNX enclosure series features 2 component moulding technology to insure a precision-formed TPE gasket that guarantees superior ingress protection ratings. Fibox was first to introduce this innovation, and continues as the only producer applying this technology to electrical enclosures.

A further example is our emphasis on multiple slide technology for mould construction. While more complex and costly, this type of mould provides our OEM customers with cost-effective alternatives for modifying standard enclosures to meet their specific needs.

But beyond technology, our success depends upon understanding the requirements of our customers and the value they place upon our contributions to their success. We know our customers derive the inspiration for their innovations by listening to and understanding the needs of their customers. Thus, our products are designed in close cooperation with our customers and we value the input of our global customer base to produce new enclosure solutions, useful functional accessories and on-going product innovations.

### More information

**e-mail:** [info@fibox.fi](mailto:info@fibox.fi), [sales@fibox.co.uk](mailto:sales@fibox.co.uk)

**www.fibox.com**

FIBOX's policy is to continually improve its products.  
Specifications in this Enclosure Catalogue are subject to change without further notice.

Copyright © 2006, Fibox Oy Ab

Photos: [@Kuvapörssi Oy](#)  
[@iStockphoto.com/subman](#)  
[@iStockphoto.com/brasil2](#)  
[@iStockphoto.com/Zocha\\_K](#)  
[@iStockphoto.com/ccahill](#)  
[@iStockphoto.com/trigga/jkinsey3291](#)

## FIBOX web services

### **Always up-to-date**

Please visit [www.fibox.com](http://www.fibox.com) regularly to find out the latest developments from the Fibox team. Fibox is continuously launching new products and improving services in the pursuit of helping its customers to succeed. Fibox prides itself in supplying high quality products with excellent service. Besides orders shipped correctly and on time, excellent service also means providing an extensive package of design aids and technical information about Fibox products and services.

### **Engineering assistance**

Selecting the right enclosure for your application is made easier with clear, easily accessible technical and engineering data. At [www.fibox.com](http://www.fibox.com) you can obtain detailed technical information about enclosures including photos, raw material specifications, dimensional drawings and CAD files. Additionally, Fibox also offers copies of regulatory agency approvals and certificates in pdf format.

### **CAD drawings**

Fibox supports engineers, designers and buyers with full CAD drawings either in 2D or 3D formats. Engineering time and costs can significantly be reduced by using easily accessible Fibox 3D models, which are widely used globally. All CAD files can be downloaded at [www.fibox.com](http://www.fibox.com).

### **Download catalogues and leaflets**

At [www.fibox.com](http://www.fibox.com) you find a variety of brochures and catalogues in pdf format. Please visit our web site at [www.fibox.com](http://www.fibox.com) to download the latest catalogues and leaflets.

### **Around the world**

As a global company Fibox has currently full web services in Chinese, Danish, Dutch, English, Finnish, French, German, Japanese, Korean, Polish, Russian and Swedish.

### **Let us know how we can improve**

Please give us feedback. Contact us via [www.fibox.com](http://www.fibox.com) or email at [info@fibox.fi](mailto:info@fibox.fi). We are committed to improve our service to you. Please help us by sharing your opinions to make Fibox World even better.



[www.fibox.com](http://www.fibox.com)

# Guide for selecting the right FIBOX enclosure

Enclosure family															
	MNX		DG		TEMPO	PICCOLO		EURONORD				SOLID		MCE	
Material	PC	ABS	PC	ABS	ABS	PC	ABS	PC	ABS	AL	GRP	PC	ABS	PC	
Pages	13 - 38		39 - 42		43 - 50	51 - 58		59 - 116				117 - 128		129 - 139	
Number of versions	168	98	2	1	10	22	22	87	46	31	12	48	48	8	
Size min (mm)	100x100x35		280x190x111		187x122x90	110x80x65		50x45x32				188x188x130		200x116x105	
Size max (mm)	360x255x150		280x190x111		344x289x117	230x140x125		310x600x180				558x378x180		580x306x145	
IP rating	IP 66/67	IP 66/67	IP 66/67 IP 65(M)	IP 66/67	IP 65	IP 66/67	IP 66/67	IP 66/67	IP 66/67	IP 66/67	IP 66/67	IP 66/67	IP 66/67	IP 65	
IK rating	IK 08	IK 07	IK 08	IK 07	IK 07	IK 08	IK 07	IK 08	IK 07	IK 08	IK 08	IK 08	IK 08	IK 08	
Enclosure flammability rating	UL94-5V	UL94HB	UL94-5V	UL94HB	UL94HB	UL94-5V	UL94HB	UL94-5V	UL94HB		UL94-5V	UL94-5V	UL94HB	UL94-5V	
ATEX-certified enclosures															
Electronics enclosures	■	■	■	■	■	■	■	■	■	■	■	■	■	■	
Industrial enclosures	■	■	■	■	■	■	■	■	■	■	■	■	■	■	
Instrumentation enclosures	■	■	■	■	■	■	■	■	■	■	■				
Modular enclosures														■	
Outdoor enclosures	■		■			■		■		■	■	■		■	
Power distribution enclosures														■	
Terminal enclosures	■	■	■	■	■	■	■	■	■	■	■	■	■		
UL- enclosures	■					■		■				■		■	
Wall mounting cabinets												■	■	■	

- PC = polycarbonate
- ABS = acrylnitrile-butadiene-styrene
- AL = aluminium
- GRP = glass fibre reinforced polyester

## Enclosure family

	EK	CAB			QUICK		SPACE LINK	CARDMASTER		ALX	FEX-PC-7	PEX
	PC	PC	ABS	GRP	PC	ABS	PC	PC	ABS	AL	PC	GRP
	137 - 150	151 - 168			169 - 178		179 - 190	191 - 200		202	203	204
	97	28	28	7	16	14	28	26	18	13	24	12
	190x190x130	150x150x110			300x200x170		200x300x170	160x166x78		45x50x32	188x188x130	75x80x55
	760x560x250	1000x800x300			600x400x270		600x400x270	316x363x156		600x310x180	558x378x180	405x400x120
	IP 66/67	IP 65	IP 65	IP 66	IP 66/67	IP 66/67	IP 65	IP 65	IP 65	IP 66	IP 66	IP 66/67
	IK 08	IK 08	IK 08	IK 10	IK 08	IK 08	IK 08	IK 08/07	IK 07	IK 08	IK 08	IK 08
	UL94-5V	UL94-5V	UL94HB	UL94HB	UL94-5V	UL94HB	UL94-5V	UL94-5V	UL94HB		UL94-5V	UL94-5V
										■	■	■
	■				■	■			■			
	■	■	■	■	■	■	■	■	■			
		■	■					■	■			
	■						■					
										■	■	■
	■	■			■		■	■				
		■	■	■	■	■	■					

## FIBOX quality creates customer advantage

Fibox has developed a sophisticated quality system to assure our customers of the reliability and consistency of our products and our service. All aspects of our operations, from design and development through to production and product delivery, are documented to ensure superior performance. Performance you can rely on.

Fibox is an ISO 9001 certified manufacturer and was awarded its certificate by Bureau Veritas Quality International in 1992. This approval covers specifications defined by ISO 9001:2000.



### The FIBOX QUALITY system

The Fibox quality system applies not only to product quality and safety, but availability of product, accuracy of shipments, technical support and customer service. The continued success of this programme is assured by regular internal and independent external audits.

## NEMA/UL classification of protection

The National Electrical Manufacturers Association (NEMA) is a US Manufacturers Organisation which actively promotes standardised product specifications for electrical apparatus.

NEMA performance criteria and test methods are used by Underwriters Laboratories as guidelines for investigation and listing of electrical enclosures.

### Approximate IP equivalents in parentheses
























#### Nema

<b>1</b>	Indoor use primarily to provide a degree of protection against contact with the enclosed equipment and against a limited amount of falling dirt. (IP30)
<b>2</b>	Indoor use to provide a degree of protection against limited amounts of falling water and dirt. (IP31)
<b>3</b>	Outdoor use to provide a degree of protection against wind blown dust, rain, and sleet; undamaged by the formation of ice on the enclosure. (IP64)
<b>3R</b>	Outdoor use to provide a degree of protection against falling rain and sleet; undamaged by the formation of ice on the enclosure. (IP32)
<b>3S</b>	Outdoor use to provide a degree of protection against windblown dust, rain and sleet; external mechanisms remain operable while ice laden.
<b>4</b>	Indoor or outdoor use to provide a degree of protection against splashing water, windblown dust and rain, hose directed water; undamaged by the formation of ice on the enclosure. (IP66)
<b>4X</b>	Indoor or outdoor use to provide a degree of protection against splashing water, windblown dust and rain, hose directed water; undamaged by the formation of ice on the enclosure, resists corrosion. (IP66)
<b>6</b>	Indoor or outdoor use to provide a degree of protection against the entry of water during temporary submersion at a limited depth; undamaged by the formation of ice on the enclosure.
<b>6P</b>	Indoor and outdoor use to provide a degree of protection against the entry of water during prolonged submersion at a limited depth.
<b>11</b>	Indoor use to provide by oil immersion a degree of protection of the enclosed equipment against the corrosive effects of corrosive liquids and gases.
<b>12, 12K</b>	Indoor use to provide a degree of protection against dust, falling dirt and dripping non-corrosive liquids. (IP65)
<b>13</b>	Indoor use to provide a degree of protection against dust and spraying of water, oil and non-corrosive coolants. (IP65)

# The IP and IK classifications

Ingress protection class of enclosures is given in the form of IP classification, a two digit coding which is shown below. Fibox has tested the enclosures according to EN 60529. The standard requires the second digit to be tested from class 6 upwards separately to each level of class, thus the double marking IP 66 / IP 67 indicates that the actual tests have been made for both levels.

The new European standard for empty enclosures, EN 62208 includes the IK impact test too. This test is described in EN 50102, and as Fibox enclosures are tested to EN 62208, the data for impact resistance will be available as well.

FIRST DIGIT Protection against solid objects		SECOND DIGIT Protection against liquids		IK CODE Protection against mechanical impacts	
IP	TEST	IP	TEST	IK	TEST
0	 no protection	0	 no protection	00	 no protection
1	 protected against solid objects up to 50 mm e.g. to 50 mm e.g. hands	1	 protected against vertically falling drops of water	01-05	 impact < 1 joule
2	 protected against solid objects up to 12 mm e.g. fingers	2	 protected against direct sprays of water up to 15° from the vertical	06	 500 g 20 cm impact 1 joule
3	 protected against solid objects over 2,5 mm (tools+ small wires)	3	 protected against water sprayed from all directions - limited ingress permitted	07	 500 g 40 cm impact 2 joule
4	 protected against solid objects over 1 mm (tools+ small wires)	4	 protected against water sprayed from all directions - limited ingress permitted	08	 1,7 kg 29,5 cm impact 5 joule
5	 protected against dust - limited ingress permitted (no harmful deposit)	5	 protected against low pressure jets of water from all directions - limited ingress permitted	09	 5 kg 20 cm impact 10 joule
6	 totally protected against dust	6	 protected against strong jets of water e.g. for use on shipdecks - limited ingress permitted	10	 5 kg 40 cm impact 20 joule
		7	 15 cm protected against the effects of immersion between 15 cm and 1 m		
		8	 1 m protected against long periods of immersion under pressure		



# How to select the right enclosure material

Size is normally the first and the most dominant criterion when looking for the right enclosure for a specific application. Enclosure performance, i.e. material performance, is usually the second property considered. The following list of benefits and drawbacks indicates the basic differences between the various FIBOX enclosure materials.

## Polycarbonate (PC)

Standard polycarbonate (PC) or Glass fibre reinforced (PC + GLAS)

### Benefits:

- Very high impact resistance
- Also available in transparent form
- Easy machining with normal tools
- High IP rating
- Clean attractive finish
- Wide operating temperature range
- Self-extinguishing

- Good resistance to chemical attack
- Light weight
- Good UV resistance
- Excellent insulating properties
- Cost-effective material for harsh environments

### Drawbacks:

- No EMC shielding

## Acrylnitrile-butadiene-styrene (ABS)

### Benefits:

- Easy machining with normal tools
- Easy colouring through pigmentation
- Low weight
- Good resistance to chemical attack
- Excellent insulating properties

### Drawbacks:

- Slightly lower impact resistance compared with PC
- Slightly lower operating temperature range compared with PC
- Slightly lower UV resistance compared with PC. Recommended for outdoor use if protected against weather influences
- Not available in transparent form
- No EMC shielding

## Aluminium (AL)

### Benefits:

- Good resistance to chemical attack (painted)
- High impact resistance
- Wide operating temperature range
- Easy earthing
- EMC shielding. Note: to some extent already as standard enclosures
- Good heat sink properties
- Rigid construction

### Drawbacks:

- More expensive than PC
- Heavier than PC and ABS
- Machining with special tools only

## Glass fibre reinforced polyester (GRP)

### Benefits:

- Excellent record of resistance to corrosion and chemical attack
- High impact resistance
- Rigid construction
- High weather resistance
- Wide operating temperature range
- Fire resistant
- Good insulating properties

### Drawbacks:

- More expensive than PC
- Cannot be machined using standard tools
- No EMC shielding
- Heavier than other plastic enclosures

## Comparison of materials

The following table gives a general idea of the properties of the various materials. For more detailed information on material performance in your specific application environment please consult your local FIBOX representative.

	PC	ABS	GRP <sup>2)</sup>	AL <sup>1)</sup>	PA6	PS
Outdoor use	•••••	•	•••••	•••••	•••••	•
Indoor use	•••••	•••••	•••••	•••••	•••••	•••••
Cost	•••	•••••	•	•	••	•••••
Light weight	•••••	•••••	•••	•	•••••	•••••
High rigidity	•••	•	•••••	•••••	•••	•
Impact resistance	•••••	•••	•••••	•••••	•••	•
Chemical resistance						
Salt water environments	•••••	••	•••••	••••• <sup>1)</sup>	•••••	••
Neutral salts	•••••		•••••	••••• <sup>1)</sup>	•••••	•••••
Acids, low concentrations	•••••	•••••	•••••	••	•••••	•••••
Acids, high concentrations	•••	•	•••	•	•	•
Alkalis, low concentrations	•••	•••••	•••••	•	••	•••••
Alkalis, high concentrations	•	•••••	•••••	•	•	•••••
Petroleum	•••	•	•••••	•••••	•••••	•
Hydraulic oil	•••••	•••••	•••••	•••••	•••••	•••••
Alcohols	•••••	•••	•••••	•••••	•••••	•••
Solvents	•	•	•••••	•••••		•
Cooling fluids	•••	•••••	•••••	•••		•••••

••••• = Excellent

• = Poor

<sup>1)</sup> Polyester powder coated AISi cast aluminium

<sup>2)</sup> Glass fibre reinforced

Data subject to change without notice.

# FIBOX enclosure gaskets offer the best protection

Gasketing plays an essential role in enclosure protection. In the long run, the IP rating and its reliability depend mainly on the properties of the gasket used in the enclosure. Key performance factors of a gasket are its compression set and proper fit in the gasket groove. The best general purpose gasket material is polyurethane which has an exceptionally low compression set. When accurately injection foamed, the polyurethane gaskets stay tightly in the right place. And EPDM material provides the best protection against the most popular industrial chemicals. However, it is wise to check the effect of a chemical on each gasket material since the chemical resistance of gasket materials varies greatly.

In some cases the performance of an enclosure can be modified by changing its gasket. The degree of protection depends on the material and the cross-section profile of the gasket. When choosing gasket material, compare the elasticity properties of different materials and how these properties are affected by cold and heat, or by contact with various chemicals. An important factor is that both the enclosure and gasket must withstand the same chemicals in order to reach a safe resistivity.

## FIBOX enclosures are well designed

The degree of ingress protection (IP) of an enclosure is mainly dependent on the properties of its gasket. Nevertheless, the gasket must also properly fit the enclosure. In addition to the cross-section profile of the gasket, there is the cross section of the gasket's contact with the surfaces of the enclosure bases and covers. If the cross-section structures and manufacturing accuracy of an enclosure are not top quality, the IP rating will remain low even when equipped with a good gasket. Naturally, all FIBOX enclosures are carefully designed and precision made. Using FIBOX enclosures, you only need to focus on the variances in gasket materials.

FIBOX enclosure gaskets are made of PUR, EPDM, neoprene and silicon materials. Table 1 includes some commonly used physical properties of the gaskets. Note that the chemical resistances in the box and in Table 2 are only rough generalisations to give you some clues to gasket material behavior. The resistance of each chemical should be checked separately. For additional information, please contact Fibox.

Property	Unit	TPE	PUR	EPDM	Neoprene	Silicon
Temperature range	°C	-40 - +120	-50 - +130	-50 - +120	-40 - +100	-60 - +170
Tensile strength	Mpa	5	0,4	13,0	8,0	9,4
Elongation at break	%	700	110	300	250	540
Hardness	Shore A	30	12	65	66	52
Density	g/cm3	1,13	0,33	1,12	1,6	1,15
Compression set	%	17	5	20	35	14

**Table 1:** Gasket materials: physical properties comparison

Chemical Performance	TPE	PUR	EPDM	Neoprene	Silicon
Neutral salts	••••	••••	••••	••••	••••
Acids, low concentrations	••••	•••	••••	•••	•••
Acids, high concentrations	•••	•	•••	•	•
Alkalis, low concentrations	••••	•••	••••	••••	•••
Alkalis, high concentrations	•••	•	••••	•••	•
Petroleums	•	•	•	•••	•
Hydraulic oils	•	••••	•	•••	•
Alcohols	••	•••	••••	••••	••••
Cooling fluids	•••	•••	••••	•••	••••

**Table 2:** Gasket materials: chemical resistance comparison

PUR = polyurethane  
 TPE = thermoplastic elastomer  
 EPDM = ethylene – propylene – diene – monomer

# FIBOX customizing services

## FIBOX machining services

To increase the range and flexibility of our enclosure solutions, Fibox has developed a comprehensive range of services, permitting cost effective customization for specific applications. The two most important of these are machining services and customized tooling.

Our sophisticated CNC machinery can supply enclosures with holes, cutouts and openings to your specification. This solution is best suited for small to medium volumes of enclosures. Fibox knowledge of enclosure materials ensures that the machining method is compatible with the chosen enclosure material.

Prior to machining a production run, product specification and drawings need to be prepared. Either the customer or Fibox can create these drawings. Enclosure specifications and technical data are available at [www.fibox.com](http://www.fibox.com). CAD support 2D-drawings are available in IGES, DWG and DXF formats and 3D-models in IGES and Parasolid formats adaptable to your design system requirements.

## Assembly services

Many enclosure solutions utilize Fibox accessories to improve the functionality of the enclosure system. Fibox can provide assembly services and install accessories specified by the end user, allowing delivery of "ready to use" mechanical packaging assemblies, saving labour costs and speeding up the manufacturing process. The Fibox accessory program includes a large number of items ranging from hinges and latches, cable glands and wiring accessories, to inspection windows and ventilators.

## Customized tooling

For large volume OEM requirements, it is often possible to customize the moulding of a standard product to meet the OEM's specific needs. Provided the mould is a sophisticated multiple slide mould, any enclosure side may be customized without requiring an entirely new mould. It is important that the OEM consult with Fibox early in their design process to determine what, if any, mould change restrictions exist. Altering an existing Fibox mould can be a very cost effective alternative to creating a custom mould. In essence, you lease a high volume, standard product mould with minimal initial tooling cost. This can shorten product development times and permit customizing even those products with projected short life cycles. Your new product reaches the market sooner.

## Coloured plastic enclosures

Fibox offers custom moulding of standard enclosures in customer specified colours. Standard colour specifications are based upon RAL system, however custom colour matching is possible. The type of plastic has significant impact on colour match, colour consistency and cost. Please consult your Fibox representative for guidance. Custom colour moulding becomes economical in volumes over 1000 pieces, but lower volumes are also possible. Cost adders are based upon increased raw material costs, plus the cost to prepare moulds prior to production and then clean the moulds and injection machines after production. These mould preparation costs are highly volume dependent.

## Painted enclosures

Painting enclosures is recommended for plastic enclosures when volumes do not justify custom moulding. Critical colour matching, if required, is also easier to accomplish with paint. Paint type is dependent upon the choice of enclosure material. Please consult your Fibox representative for guidance.

## EMC - plastic enclosures

Plastic enclosures can be prepared to provide EMC shielding. Various methods are available, but painting the internal surface with Cu paint is the preferred method. This coating, combined with a conductive gasket material such as CHO-SEAL 1350, can provide significant shielding levels. Proper selection of materials is very application specific. Please consult your Fibox representative for guidance.

## Printed enclosures

Silk screen printing is recommended for enclosure batches of less than 1000 pieces. This method is mainly suitable for flat surfaces, and can be used for large areas. Tampo printing is the best solution for volumes greater than 1000 pieces. It is suitable for printing on both flat and curved surfaces of limited size. Tampo printing is also ideal for tight spots like the inside surface of the enclosure.





**FIBOX – Solutions for demanding environments**



## Fibox MNX

MNX polycarbonate and ABS enclosures utilize world-class injection moulding technology. They are designed to house and protect all kinds of electrical and electronic components in the most demanding applications. The MNX includes more than 260 different variations.



# MNX



**Wide selection - More than 260 versions**



**Recess area for membranes**



**RoHS compliant and halogen-free**

## Fibox MNX

### Polycarbonate and ABS enclosure

Please ask for Fibox mounting and machining service for terminal blocks and cable glands.

#### VERSATILE COVERS

Grey opaque or smoked transparent polycarbonate covers provide a stylish finish to any installed equipment. Tooling may be cost effectively changed to customise covers for volume OEM applications.

#### FIBOX MNX PCM

Enclosure features metric knock-outs moulded in place for easy wiring.

SWING PANEL

#### FUNCTIONAL COVER SCREWS

The enclosure is supplied with corrosion free plastic cover screws. A wing head screw can be snapped in place for opening without tools. Grey covers are supplied with grey screws. Smoked transparent covers are supplied with black screws.

#### HINGED INNER PANEL

For instrumentation mounting, aluminum inner panels can be hinged right or left. Unique brackets allow mounting in either base or cover. The brackets permit mounting at variable depths.

#### RUGGED HINGE

An optional corrosion free hinge is available. Mounted on the outside, fixing screws are hidden by decorative covers.

#### MEMBRANE KEYBOARD RECESS

The cover features a slightly recessed area ideal for overlays and membrane key pads. Special cover available for sizes 150 and 175.



# MNX PC/ABS 95L

100 x 100

PC: IP 66/IP 67, IK 08  
ABS: IP 66/IP 67, IK 07

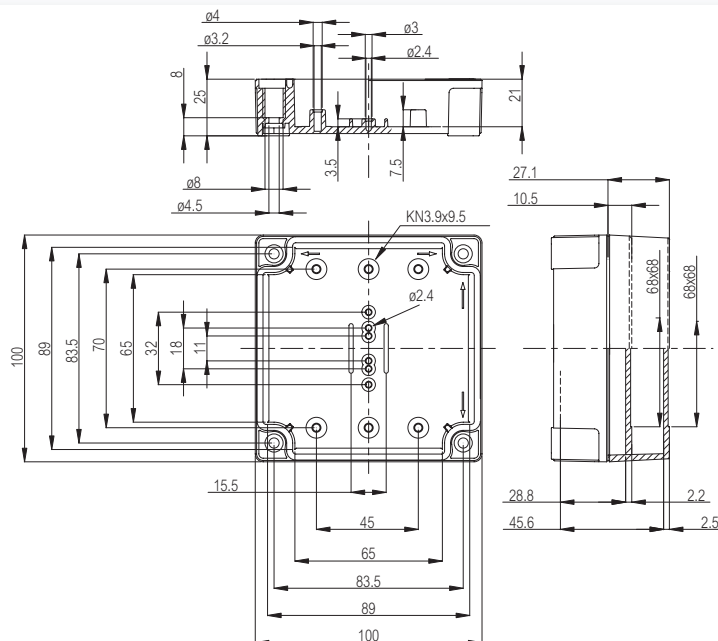
Including: Base with PUR gasket, screws for mounting plate/DIN-rail and cover with polyamide cover screws.

## Enclosures

Order symbol	Code	Dimensions	Description
PC 95/35 LG	6012331	100 x 100 x 35	Enclosure, PC • Grey cover
PC 95/50 LG	6012332	100 x 100 x 50	Enclosure, PC • Grey cover
PC 95/35 LT	6012931	100 x 100 x 35	Enclosure, PC • Smoked transparent cover
PC 95/50 LT	6012932	100 x 100 x 50	Enclosure, PC • Smoked transparent cover
ABS 95/35 LG	6082331	100 x 100 x 35	Enclosure, ABS • Grey cover
ABS 95/50 LG	6082332	100 x 100 x 50	Enclosure, ABS • Grey cover
ABS 95/35 LT	6082931	100 x 100 x 35	Enclosure, ABS • Smoked transparent cover
ABS 95/50 LT	6082932	100 x 100 x 50	Enclosure, ABS • Smoked transparent cover

## Accessories

Order symbol	Code	Dimensions	Description
MIV 95	5514583	66 x 80	Mounting plate (Galvanized steel)
MIN 8	6314584	15 x 80	DIN-15 Mounting rail
B-3	8524030	35 x 80	DIN-35 Mounting rail
FP 22046	8522346		Wall fastening lug (4 pcs) • incl. screws





# MNX

## PC/ABS 95H

100 x 100

PC: IP 66/IP 67, IK 08  
ABS: IP 66/IP 67, IK 07

Including: Base with PUR gasket, screws for mounting plate/DIN-rail and cover with polyamide cover screws.

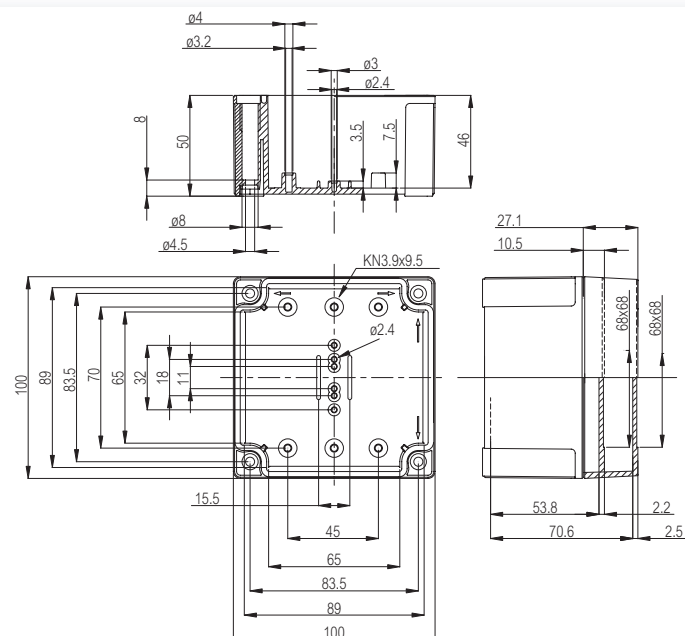


### Enclosures

Order symbol	Code	Dimensions	Description
PC 95/60 HG	6011331	100 x 100 x 60	Enclosure, PC • Grey cover
PC 95/75 HG	6011332	100 x 100 x 75	Enclosure, PC • Grey cover
PC 95/60 HT	6011931	100 x 100 x 60	Enclosure, PC • Smoked transparent cover
PC 95/75 HT	6011932	100 x 100 x 75	Enclosure, PC • Smoked transparent cover
ABS 95/60 HG	6081331	100 x 100 x 60	Enclosure, ABS • Grey cover
ABS 95/75 HG	6081332	100 x 100 x 75	Enclosure, ABS • Grey cover
ABS 95/60 HT	6081931	100 x 100 x 60	Enclosure, ABS • Smoked transparent cover
ABS 95/75 HT	6081932	100 x 100 x 75	Enclosure, ABS • Smoked transparent cover

### Accessories

Order symbol	Code	Dimensions	Description
MIV 95	5514583	66 x 80	Mounting plate (Galvanized steel)
MIN 8	6314584	15 x 80	DIN-15 Mounting rail
B-3	8524030	35 x 80	DIN-35 Mounting rail
FP 22046	8522346		Wall fastening lug (4 pcs) • incl. screws





# MNX PC/ABS 100L

130 x 80

PC: IP 66/IP 67, IK 08  
ABS: IP 66/IP 67, IK 07

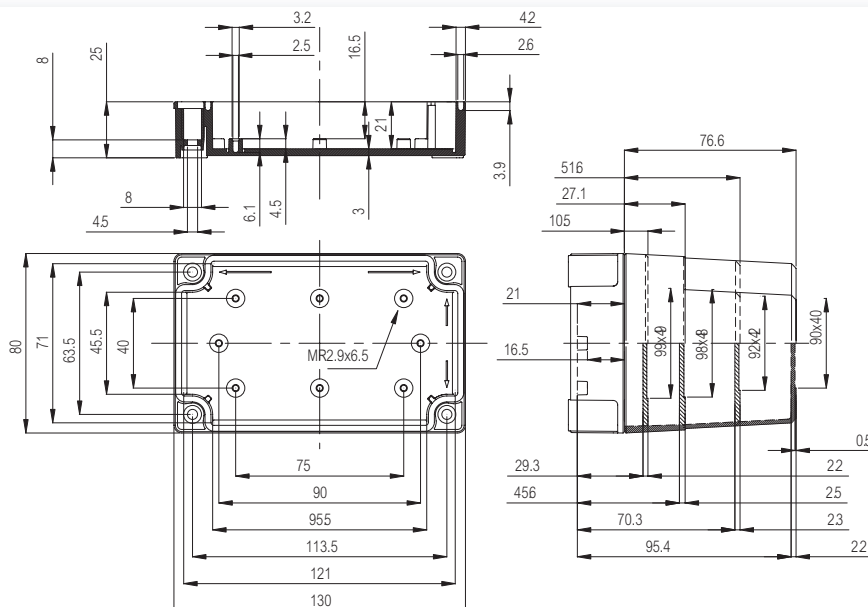
Including: Base with TPE gasket, screws for mounting plate/DIN-rail and cover with polyamide cover screws.

## Enclosures

Order symbol	Code	Dimensions	Description
PC 100/35 LG	6012301	130 x 80 x 35	Enclosure, PC • Grey cover
PC 100/50 LG	6012302	130 x 80 x 50	Enclosure, PC • Grey cover
PC 100/75 LG	6012303	130 x 80 x 75	Enclosure, PC • Grey cover
PC 100/100 LG	6012304	130 x 80 x 100	Enclosure, PC • Grey cover
PC 100/35 LT	6012901	130 x 80 x 35	Enclosure, PC • Smoked transparent cover
PC 100/50 LT	6012902	130 x 80 x 50	Enclosure, PC • Smoked transparent cover
PC 100/75 LT	6012903	130 x 80 x 75	Enclosure, PC • Smoked transparent cover
PC 100/100 LT	6012904	130 x 80 x 100	Enclosure, PC • Smoked transparent cover
ABS 100/35 LG	6082301	130 x 80 x 35	Enclosure, ABS • Grey cover
ABS 100/50 LG	6082302	130 x 80 x 50	Enclosure, ABS • Grey cover
ABS 100/75 LG	6082303	130 x 80 x 75	Enclosure, ABS • Grey cover
ABS 100/100 LG	6082304	130 x 80 x 100	Enclosure, ABS • Grey cover
ABS 100/35 LT	6082901	130 x 80 x 35	Enclosure, ABS • Smoked transparent cover
ABS 100/50 LT	6082902	130 x 80 x 50	Enclosure, ABS • Smoked transparent cover
ABS 100/75 LT	6082903	130 x 80 x 75	Enclosure, ABS • Smoked transparent cover
ABS 100/100 LT	6082904	130 x 80 x 100	Enclosure, ABS • Smoked transparent cover

## Accessories

Order symbol	Code	Dimensions	Description
MIV 100	5514076	98 x 48	Mounting plate (Galvanized steel)
MIN 5	6314575	15 x 50	DIN-15 Mounting rail
MIN 10	6314576	15 x 100	DIN-15 Mounting rail
MIV 5	5514081	35 x 50	DIN-35 Mounting rail
MIV 10	5514082	35 x 100	DIN-35 Mounting rail
FP A 100/130	6314570	120 x 62	Front plate (Aluminium)
HFP 130	6314563		Front plate hinge series for FP A 100-125 • (2 pcs) incl. screws
FP 22046	8522346		Wall fastening lug (4 pcs) • incl. screws



# MNX PC/ABS 100H

130 x 80

PC: IP 66/IP 67, IK 08  
ABS: IP 66/IP 67, IK 07

Including: Base with TPE gasket, screws for mounting plate/DIN-rail and cover with polyamide cover screws.

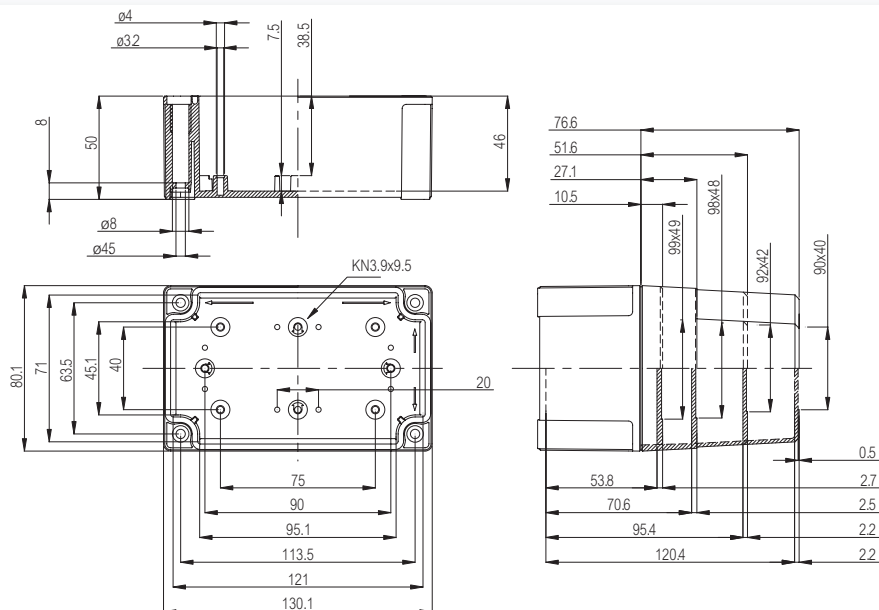


## Enclosures

Order symbol	Code	Dimensions	Description
PC 100/60 HG	6011301	130 x 80 x 60	Enclosure, PC • Grey cover
PC 100/75 HG	6011302	130 x 80 x 75	Enclosure, PC • Grey cover
PC 100/100 HG	6011303	130 x 80 x 100	Enclosure, PC • Grey cover
PC 100/125 HG	6011304	130 x 80 x 125	Enclosure, PC • Grey cover
PC 100/60 HT	6011901	130 x 80 x 60	Enclosure, PC • Smoked transparent cover
PC 100/75 HT	6011902	130 x 80 x 75	Enclosure, PC • Smoked transparent cover
PC 100/100 HT	6011903	130 x 80 x 100	Enclosure, PC • Smoked transparent cover
PC 100/125 HT	6011904	130 x 80 x 125	Enclosure, PC • Smoked transparent cover
ABS 100/60 HG	6081301	130 x 80 x 60	Enclosure, ABS • Grey cover
ABS 100/75 HG	6081302	130 x 80 x 75	Enclosure, ABS • Grey cover
ABS 100/100 HG	6081303	130 x 80 x 100	Enclosure, ABS • Grey cover
ABS 100/125 HG	6081304	130 x 80 x 125	Enclosure, ABS • Grey cover
ABS 100/60 HT	6081901	130 x 80 x 60	Enclosure, ABS • Smoked transparent cover
ABS 100/75 HT	6081902	130 x 80 x 75	Enclosure, ABS • Smoked transparent cover
ABS 100/100 HT	6081903	130 x 80 x 100	Enclosure, ABS • Smoked transparent cover
ABS 100/125 HT	6081904	130 x 80 x 125	Enclosure, ABS • Smoked transparent cover

## Accessories

Order symbol	Code	Dimensions	Description
MIV 100	5514076	98 x 48	Mounting plate (Galvanized steel)
MIN 5	6314575	15 x 50	DIN-15 Mounting rail
MIN 10	6314576	15 x 100	DIN-15 Mounting rail
MIV 5	5514081	35 x 50	DIN-35 Mounting rail
MIV 10	5514082	35 x 100	DIN-35 Mounting rail
FP A 100/130	6314570	120 x 62	Front plate (Aluminium)
HFP 130	6314563		Front plate hinge series for FP A 100-125 • (2 pcs) incl. screws
FP 22046	8522346		Wall fastening lug (4 pcs) • incl. screws





# MNX PC/ABS 125L

130 x 130

PC: IP 66/IP 67, IK 08  
ABS: IP 66/IP 67, IK 07

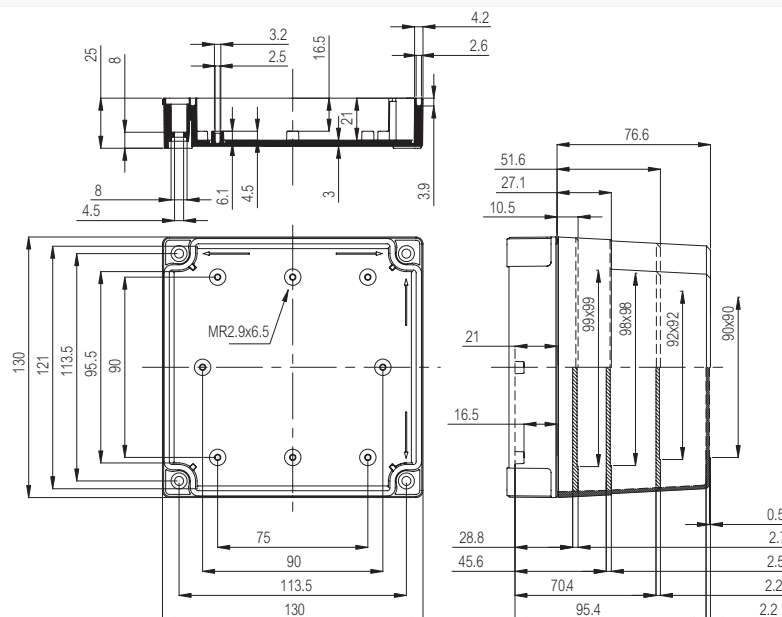
Including: Base with TPE gasket, screws for mounting plate/DIN-rail and cover with polyamide cover screws.

## Enclosures

Order symbol	Code	Dimensions	Description
PC 125/35 LG	6012307	130 x 130 x 35	Enclosure, PC • Grey cover
PC 125/50 LG	6012308	130 x 130 x 50	Enclosure, PC • Grey cover
PC 125/75 LG	6012309	130 x 130 x 75	Enclosure, PC • Grey cover
PC 125/100 LG	6012310	130 x 130 x 100	Enclosure, PC • Grey cover
PC 125/35 LT	6012907	130 x 130 x 35	Enclosure, PC • Smoked transparent cover
PC 125/50 LT	6012908	130 x 130 x 50	Enclosure, PC • Smoked transparent cover
PC 125/75 LT	6012909	130 x 130 x 75	Enclosure, PC • Smoked transparent cover
PC 125/100 LT	6012910	130 x 130 x 100	Enclosure, PC • Smoked transparent cover
ABS 125/35 LG	6082307	130 x 130 x 35	Enclosure, ABS • Grey cover
ABS 125/50 LG	6082308	130 x 130 x 50	Enclosure, ABS • Grey cover
ABS 125/75 LG	6082309	130 x 130 x 75	Enclosure, ABS • Grey cover
ABS 125/100 LG	6082310	130 x 130 x 100	Enclosure, ABS • Grey cover
ABS 125/35 LT	6082907	130 x 130 x 35	Enclosure, ABS • Smoked transparent cover
ABS 125/50 LT	6082908	130 x 130 x 50	Enclosure, ABS • Smoked transparent cover
ABS 125/75 LT	6082909	130 x 130 x 75	Enclosure, ABS • Smoked transparent cover
ABS 125/100 LT	6082910	130 x 130 x 100	Enclosure, ABS • Smoked transparent cover

## Accessories

Order symbol	Code	Dimensions	Description
MIV 125	5514077	98 x 98	Mounting plate (Galvanized steel)
MIN 10	6314576	15 x 100	DIN-15 Mounting rail
MIV 10	5514082	35 x 100	DIN-35 Mounting rail
FP A 125/130	6314571	120 x 112	Front plate (Aluminium)
HFP 130	6314563		Front plate hinge series for FP A 100-125 • (2 pcs) incl. screws
FP 22046	8522346		Wall fastening lug (4 pcs) • incl. screws



# MNX PC/ABS 125H

130 x 130

PC: IP 66/IP 67, IK 08  
ABS: IP 66/IP 67, IK 07



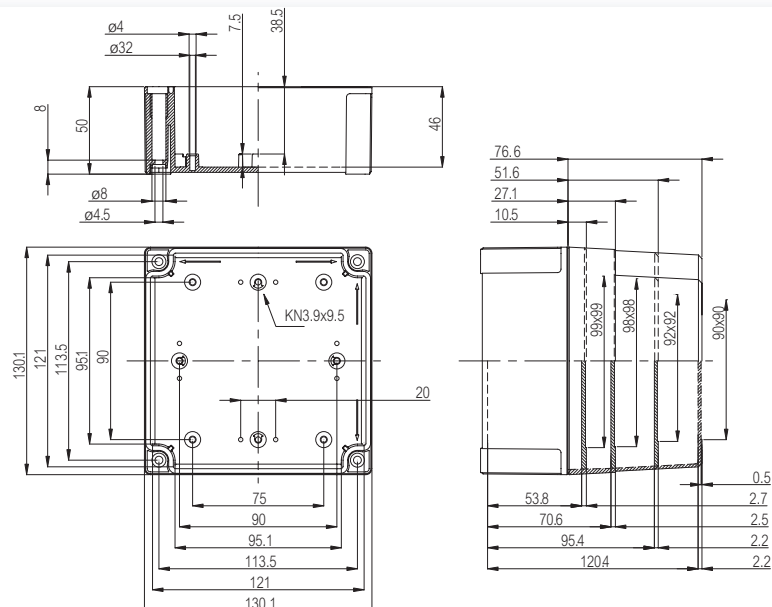
Including: Base with TPE gasket, screws for mounting plate/DIN-rail and cover with polyamide cover screws.

## Enclosures

Order symbol	Code	Dimensions	Description
PC 125/60 HG	6011307	130 x 130 x 60	Enclosure, PC • Grey cover
PC 125/75 HG	6011308	130 x 130 x 75	Enclosure, PC • Grey cover
PC 125/100 HG	6011309	130 x 130 x 100	Enclosure, PC • Grey cover
PC 125/125 HG	6011310	130 x 130 x 125	Enclosure, PC • Grey cover
PC 125/60 HT	6011907	130 x 130 x 60	Enclosure, PC • Smoked transparent cover
PC 125/75 HT	6011908	130 x 130 x 75	Enclosure, PC • Smoked transparent cover
PC 125/100 HT	6011909	130 x 130 x 100	Enclosure, PC • Smoked transparent cover
PC 125/125 HT	6011910	130 x 130 x 125	Enclosure, PC • Smoked transparent cover
ABS 125/60 HG	6081307	130 x 130 x 60	Enclosure, ABS • Grey cover
ABS 125/75 HG	6081308	130 x 130 x 75	Enclosure, ABS • Grey cover
ABS 125/100 HG	6081309	130 x 130 x 100	Enclosure, ABS • Grey cover
ABS 125/125 HG	6081310	130 x 130 x 125	Enclosure, ABS • Grey cover
ABS 125/60 HT	6081907	130 x 130 x 60	Enclosure, ABS • Smoked transparent cover
ABS 125/75 HT	6081908	130 x 130 x 75	Enclosure, ABS • Smoked transparent cover
ABS 125/100 HT	6081909	130 x 130 x 100	Enclosure, ABS • Smoked transparent cover
ABS 125/125 HT	6081910	130 x 130 x 125	Enclosure, ABS • Smoked transparent cover

## Accessories

Order symbol	Code	Dimensions	Description
MIV 125	5514077	98 x 98	Mounting plate (Galvanized steel)
MIN 10	6314576	15 x 100	DIN-15 Mounting rail
MIV 10	5514082	35 x 100	DIN-35 Mounting rail
FP A 125/130	6314571	120 x 112	Front plate (Aluminium)
HFP 130	6314563		Front plate hinge series for FP A 100-125 • (2 pcs) incl. screws
FP 22046	8522346		Wall fastening lug (4 pcs) • incl. screws





# MNX PC/ABS 150L

180 x 130

PC: IP 66/IP 67, IK 08  
ABS: IP 66/IP 67, IK 07

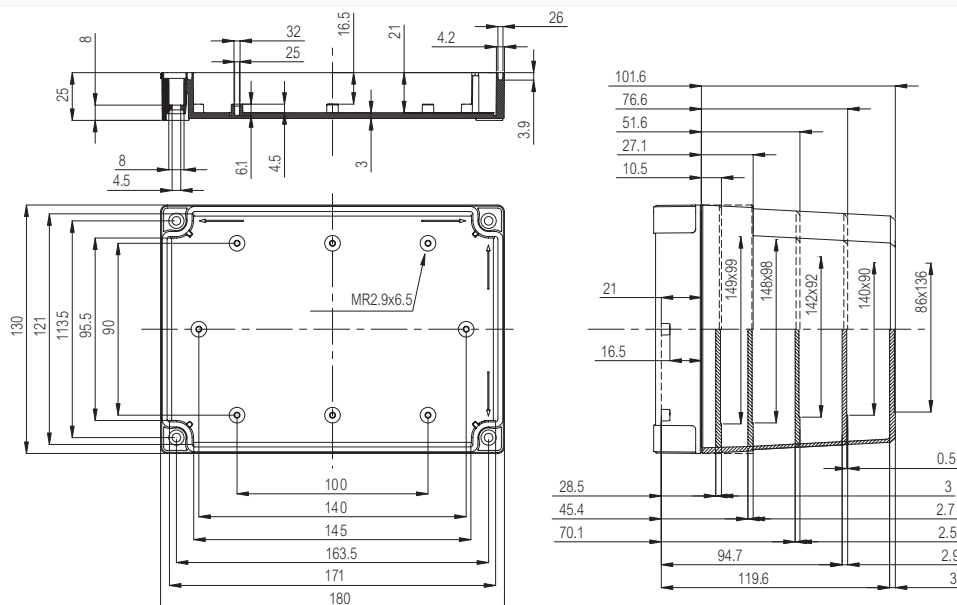
Including: Base with TPE gasket, screws for mounting plate/DIN-rail and cover with polyamide cover screws.

## Enclosures

Order symbol	Code	Dimensions	Description
PC 150/35 LG	6012313	180 x 130 x 35	Enclosure, PC • Grey cover
PC 150/50 LG	6012314	180 x 130 x 50	Enclosure, PC • Grey cover
PC 150/75 LG	6012315	180 x 130 x 75	Enclosure, PC • Grey cover
PC 150/100 LG	6012316	180 x 130 x 100	Enclosure, PC • Grey cover
PC 150/125 LG	6012317	180 x 130 x 125	Enclosure, PC • Grey cover
PC 150/35 LT	6012913	180 x 130 x 35	Enclosure, PC • Smoked transparent cover
PC 150/50 LT	6012914	180 x 130 x 50	Enclosure, PC • Smoked transparent cover
PC 150/75 LT	6012915	180 x 130 x 75	Enclosure, PC • Smoked transparent cover
PC 150/100 LT	6012916	180 x 130 x 100	Enclosure, PC • Smoked transparent cover
PC 150/125 LT	6012917	180 x 130 x 125	Enclosure, PC • Smoked transparent cover
ABS 150/35 LG	6082313	180 x 130 x 35	Enclosure, ABS • Grey cover
ABS 150/50 LG	6082314	180 x 130 x 50	Enclosure, ABS • Grey cover
ABS 150/75 LG	6082315	180 x 130 x 75	Enclosure, ABS • Grey cover
ABS 150/100 LG	6082316	180 x 130 x 100	Enclosure, ABS • Grey cover
ABS 150/125 LG	6082317	180 x 130 x 125	Enclosure, ABS • Grey cover
ABS 150/35 LT	6082913	180 x 130 x 35	Enclosure, ABS • Smoked transparent cover
ABS 150/50 LT	6082914	180 x 130 x 50	Enclosure, ABS • Smoked transparent cover
ABS 150/75 LT	6082915	180 x 130 x 75	Enclosure, ABS • Smoked transparent cover
ABS 150/100 LT	6082916	180 x 130 x 100	Enclosure, ABS • Smoked transparent cover
ABS 150/125 LT	6082917	180 x 130 x 125	Enclosure, ABS • Smoked transparent cover

## Accessories

Order symbol	Code	Dimensions	Description
MIV 150	5514078	148 x 98	Mounting plate (Galvanized steel)
MIN 10	6314576	15 x 100	DIN-15 Mounting rail
MIN 15	6314577	15 x 150	DIN-15 Mounting rail
MIV 10	5514082	35 x 100	DIN-35 Mounting rail
MIV 15	5514083	35 x 150	DIN-35 Mounting rail
FP A 150/180	6314572	170 x 112	Front plate (Aluminium)
HFP 180	6314564		Front plate hinge series for FP A 150-200 • (2 pcs) incl. screws
FP 22046	8522346		Wall fastening lug (4 pcs) • incl. screws



# MNX PC/ABS 150H

180 x 130

PC: IP 66/IP 67, IK 08  
ABS: IP 66/IP 67, IK 07



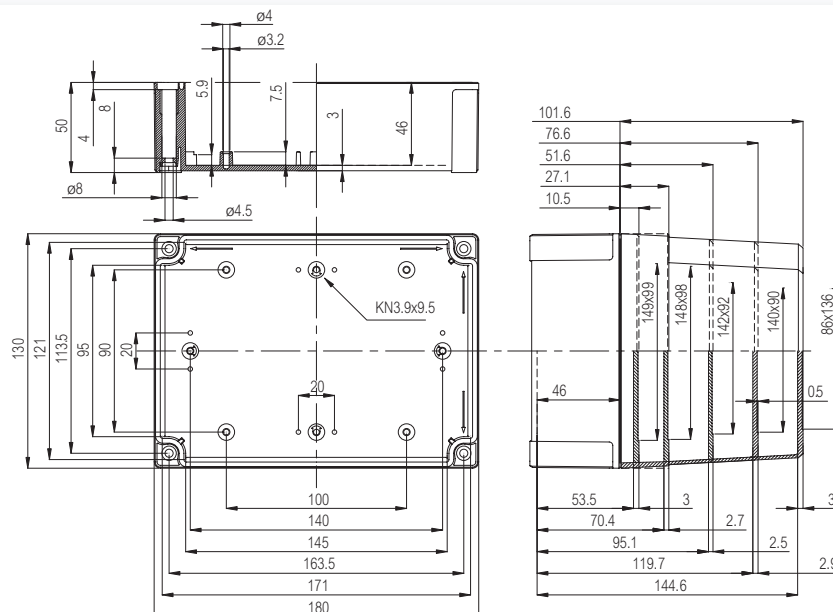
Including: Base with TPE gasket, screws for mounting plate/DIN-rail and cover with polyamide cover screws.

## Enclosures

Order symbol	Code	Dimensions	Description
PC 150/60 HG	6011313	180 x 130 x 60	Enclosure, PC • Grey cover
PC 150/60 HF	6011813	180 x 130 x 60	Enclosure, PC • Grey membrane cover
PC 150/75 HG	6011314	180 x 130 x 75	Enclosure, PC • Grey cover
PC 150/100 HG	6011315	180 x 130 x 100	Enclosure, PC • Grey cover
PC 150/125 HG	6011316	180 x 130 x 125	Enclosure, PC • Grey cover
PC 150/150 HG	6011317	180 x 130 x 150	Enclosure, PC • Grey cover
PC 150/60 HT	6011913	180 x 130 x 60	Enclosure, PC • Smoked transparent cover
PC 150/75 HT	6011914	180 x 130 x 75	Enclosure, PC • Smoked transparent cover
PC 150/100 HT	6011915	180 x 130 x 100	Enclosure, PC • Smoked transparent cover
PC 150/125 HT	6011916	180 x 130 x 125	Enclosure, PC • Smoked transparent cover
PC 150/150 HT	6011917	180 x 130 x 150	Enclosure, PC • Smoked transparent cover
ABS 150/60 HG	6081313	180 x 130 x 60	Enclosure, ABS • Grey cover
ABS 150/75 HG	6081314	180 x 130 x 75	Enclosure, ABS • Grey cover
ABS 150/100 HG	6081315	180 x 130 x 100	Enclosure, ABS • Grey cover
ABS 150/125 HG	6081316	180 x 130 x 125	Enclosure, ABS • Grey cover
ABS 150/150 HG	6081317	180 x 130 x 150	Enclosure, ABS • Grey cover
ABS 150/60 HT	6081913	180 x 130 x 60	Enclosure, ABS • Smoked transparent cover
ABS 150/75 HT	6081914	180 x 130 x 75	Enclosure, ABS • Smoked transparent cover
ABS 150/100 HT	6081915	180 x 130 x 100	Enclosure, ABS • Smoked transparent cover
ABS 150/125 HT	6081916	180 x 130 x 125	Enclosure, ABS • Smoked transparent cover
ABS 150/150 HT	6081917	180 x 130 x 150	Enclosure, ABS • Smoked transparent cover

## Accessories

Order symbol	Code	Dimensions	Description
MIV 150	5514078	148 x 98	Mounting plate (Galvanized steel)
MIN 10	6314576	15 x 100	DIN-15 Mounting rail
MIN 15	6314577	15 x 150	DIN-15 Mounting rail
MIV 10	5514082	35 x 100	DIN-35 Mounting rail
MIV 15	5514083	35 x 150	DIN-35 Mounting rail
FP A 150/180	6314572	170 x 112	Front plate (Aluminium)
HFP 180	6314564		Front plate hinge series for FP A 150-200 • (2 pcs) incl. screws
FP 22046	8522346		Wall fastening lug (4 pcs) • incl. screws





# MNX PC/ABS 150XH

180 x 130

PC: IP 66/IP 67, IK 08  
ABS: IP 66/IP 67, IK 07

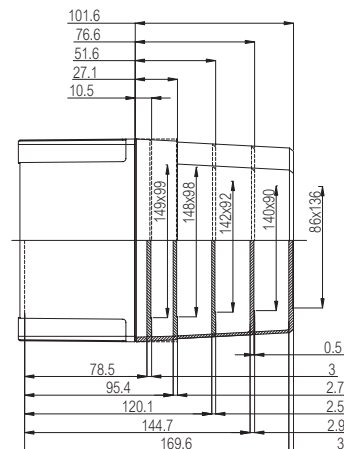
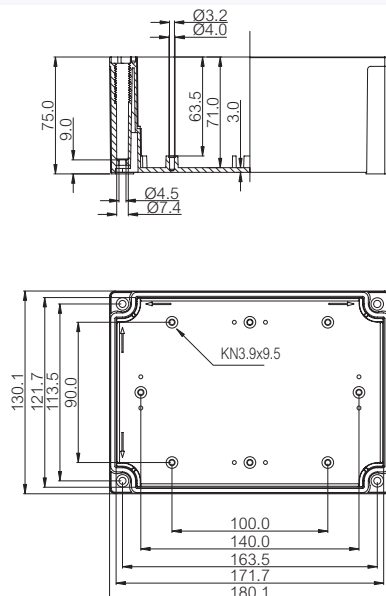
Including: Base with PUR gasket, screws for mounting plate/DIN-rail and cover with polyamide cover screws.

## Enclosures

Order symbol	Code	Dimensions	Description
PC 150/85 XHG	6013333	180 x 130 x 85	Enclosure, PC • Grey cover
PC 150/85 XHF	6013833	180 x 130 x 85	Enclosure, PC • Grey membrane cover
PC 150/100 XHG	6013334	180 x 130 x 100	Enclosure, PC • Grey cover
PC 150/125 XHG	6013335	180 x 130 x 125	Enclosure, PC • Grey cover
PC 150/150 XHG	6013336	180 x 130 x 150	Enclosure, PC • Grey cover
PC 150/175 XHG	6013337	180 x 130 x 175	Enclosure, PC • Grey cover
PC 150/85 XHT	6013933	180 x 130 x 85	Enclosure, PC • Smoked transparent cover
PC 150/100 XHT	6013934	180 x 130 x 100	Enclosure, PC • Smoked transparent cover
PC 150/125 XHT	6013935	180 x 130 x 125	Enclosure, PC • Smoked transparent cover
PC 150/150 XHT	6013936	180 x 130 x 150	Enclosure, PC • Smoked transparent cover
PC 150/175 XHT	6013937	180 x 130 x 175	Enclosure, PC • Smoked transparent cover
ABS 150/85 XHG	6083333	180 x 130 x 85	Enclosure, ABS • Grey cover
ABS 150/100 XHG	6083334	180 x 130 x 100	Enclosure, ABS • Grey cover
ABS 150/125 XHG	6083335	180 x 130 x 125	Enclosure, ABS • Grey cover
ABS 150/150 XHG	6083336	180 x 130 x 150	Enclosure, ABS • Grey cover
ABS 150/175 XHG	6083337	180 x 130 x 175	Enclosure, ABS • Grey cover
ABS 150/85 XHT	6083933	180 x 130 x 85	Enclosure, ABS • Smoked transparent cover
ABS 150/100 XHT	6083934	180 x 130 x 100	Enclosure, ABS • Smoked transparent cover
ABS 150/125 XHT	6083935	180 x 130 x 125	Enclosure, ABS • Smoked transparent cover
ABS 150/150 XHT	6083936	180 x 130 x 150	Enclosure, ABS • Smoked transparent cover
ABS 150/175 XHT	6083937	180 x 130 x 175	Enclosure, ABS • Smoked transparent cover

## Accessories

Order symbol	Code	Dimensions	Description
MIV 150	5514078	148 x 98	Mounting plate (Galvanized steel)
MIN 10	6314576	15 x 100	DIN-15 Mounting rail
MIN 15	6314577	15 x 150	DIN-15 Mounting rail
MIV 10	5514082	35 x 100	DIN-35 Mounting rail
MIV 15	5514083	35 x 150	DIN-35 Mounting rail
FP A 150/180	6314572	170 x 112	Front plate (Aluminium)
HFP 180	6314564		Front plate hinge series for FP A 150-200 • (2 pcs) incl. screws
FP 22046	8522346		Wall fastening lug (4 pcs) • incl. screws





# MNX PC/ABS 175H

180 x 180

PC: IP 66/IP 67, IK 08  
ABS: IP 66/IP 67, IK 07



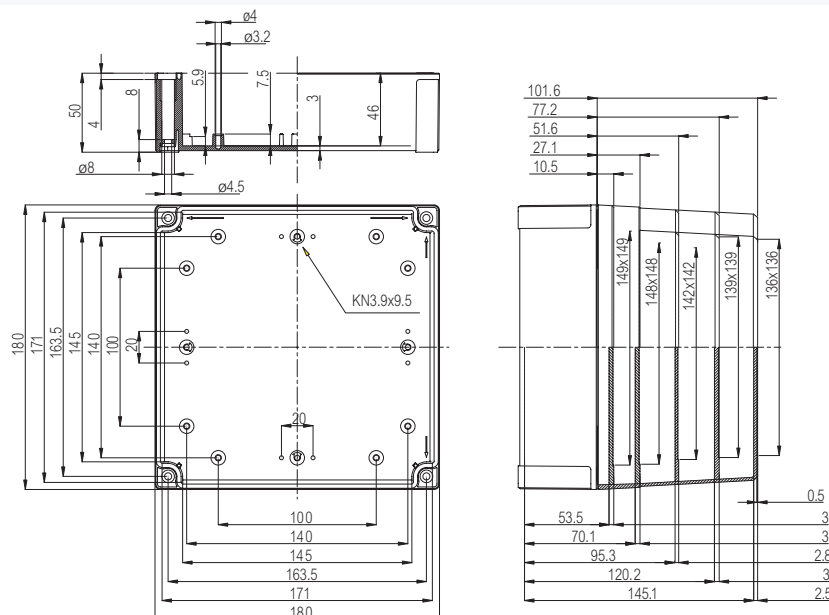
Including: Base with TPE gasket, screws for mounting plate/DIN-rail and cover with polyamide cover screws.

## Enclosures

Order symbol	Code	Dimensions	Description
PC 175/60 HG	6011319	180 x 180 x 60	Enclosure, PC • Grey cover
PC 175/75 HG	6011320	180 x 180 x 75	Enclosure, PC • Grey cover
PC 175/100 HG	6011321	180 x 180 x 100	Enclosure, PC • Grey cover
PC 175/125 HG	6011322	180 x 180 x 125	Enclosure, PC • Grey cover
PC 175/150 HG	6011323	180 x 180 x 150	Enclosure, PC • Grey cover
PC 175/60 HT	6011919	180 x 180 x 60	Enclosure, PC • Smoked transparent cover
PC 175/75 HT	6011920	180 x 180 x 75	Enclosure, PC • Smoked transparent cover
PC 175/100 HT	6011921	180 x 180 x 100	Enclosure, PC • Smoked transparent cover
PC 175/125 HT	6011922	180 x 180 x 125	Enclosure, PC • Smoked transparent cover
PC 175/150 HT	6011923	180 x 180 x 150	Enclosure, PC • Smoked transparent cover
ABS 175/60 HG	6081319	180 x 180 x 60	Enclosure, ABS • Grey cover
ABS 175/75 HG	6081320	180 x 180 x 75	Enclosure, ABS • Grey cover
ABS 175/100 HG	6081321	180 x 180 x 100	Enclosure, ABS • Grey cover
ABS 175/125 HG	6081322	180 x 180 x 125	Enclosure, ABS • Grey cover
ABS 175/150 HG	6081323	180 x 180 x 150	Enclosure, ABS • Grey cover
ABS 175/60 HT	6081919	180 x 180 x 60	Enclosure, ABS • Smoked transparent cover
ABS 175/75 HT	6081920	180 x 180 x 75	Enclosure, ABS • Smoked transparent cover
ABS 175/100 HT	6081921	180 x 180 x 100	Enclosure, ABS • Smoked transparent cover
ABS 175/125 HT	6081922	180 x 180 x 125	Enclosure, ABS • Smoked transparent cover
ABS 175/150 HT	6081923	180 x 180 x 150	Enclosure, ABS • Smoked transparent cover

## Accessories

Order symbol	Code	Dimensions	Description
MIV 175	5514079	148 x 148	Mounting plate (Galvanized steel)
MIN 15	6314577	15 x 150	DIN-15 Mounting rail
MIV 15	5514083	35 x 150	DIN-35 Mounting rail
FP A 175/180	6314573	170 x 162	Front plate (Aluminium)
HFP 180	6314564		Front plate hinge series for FP A 150-200 • (2 pcs) incl. screws
FP 22046	8522346		Wall fastening lug (4 pcs) • incl. screws





# MNX PC/ABS 200H

255 x 180

PC: IP 66/IP 67, IK 08  
ABS: IP 66/IP 67, IK 07

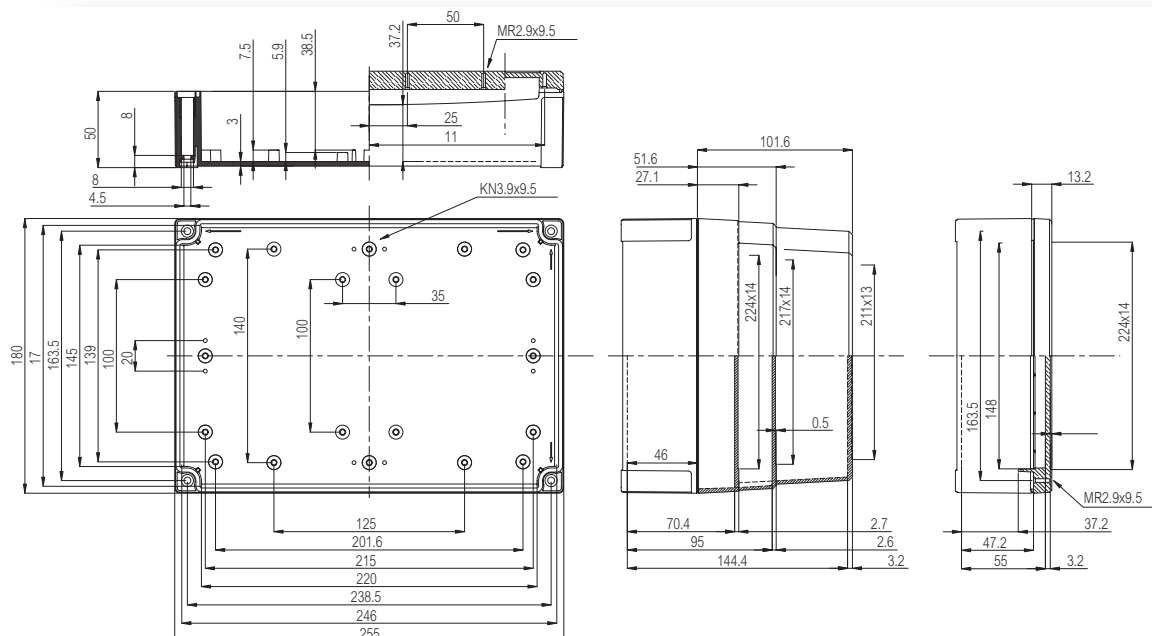
Including: Base with TPE gasket, screws for mounting plate/DIN-rail and cover with polyamide cover screws.

## Enclosures

Order symbol	Code	Dimensions	Description
PC 200/63 HG	6011324	255 x 180 x 63	Enclosure, PC • Grey cover
PC 200/75 HG	6011326	255 x 180 x 75	Enclosure, PC • Grey cover
PC 200/100 HG	6011327	255 x 180 x 100	Enclosure, PC • Grey cover
PC 200/150 HG	6011329	255 x 180 x 150	Enclosure, PC • Grey cover
PC 200/63 HT	6011924	255 x 180 x 63	Enclosure, PC • Smoked transparent cover
PC 200/75 HT	6011926	255 x 180 x 75	Enclosure, PC • Smoked transparent cover
PC 200/100 HT	6011927	255 x 180 x 100	Enclosure, PC • Smoked transparent cover
PC 200/150 HT	6011929	255 x 180 x 150	Enclosure, PC • Smoked transparent cover
ABS 200/63 HG	6081324	255 x 180 x 63	Enclosure, ABS • Grey cover
ABS 200/75 HG	6081326	255 x 180 x 75	Enclosure, ABS • Grey cover
ABS 200/100 HG	6081327	255 x 180 x 100	Enclosure, ABS • Grey cover
ABS 200/150 HG	6081329	255 x 180 x 150	Enclosure, ABS • Grey cover
ABS 200/63 HT	6081924	255 x 180 x 63	Enclosure, ABS • Smoked transparent cover
ABS 200/75 HT	6081926	255 x 180 x 75	Enclosure, ABS • Smoked transparent cover
ABS 200/100 HT	6081927	255 x 180 x 100	Enclosure, ABS • Smoked transparent cover
ABS 200/150 HT	6081929	255 x 180 x 150	Enclosure, ABS • Smoked transparent cover

## Accessories

Order symbol	Code	Dimensions	Description
MIV 200	5514080	223 x 148	Mounting plate (Galvanized steel)
MIN 15	6314577	15 x 150	DIN-15 Mounting rail
MIN 20	6314578	15 x 225	DIN-15 Mounting rail
MIV 15	5514083	35 x 150	DIN-35 Mounting rail
MIV 20	5514084	35 x 225	DIN-35 Mounting rail
FP A 200/180	6314574	237 x 170	Front plate (Aluminium)
HFP 180	6314564		Front plate hinge series for FP A 150-200 • (2 pcs) incl. screws
FP 22046	8522346		Wall fastening lug (4 pcs) • incl. screws



# MNX PC/ABS 200XH

255 x 180

PC: IP 66/IP 67, IK 08  
ABS: IP 66/IP 67, IK 07

Including: Base with PUR gasket, screws for mounting plate/DIN-rail and cover with polyamide cover screws.

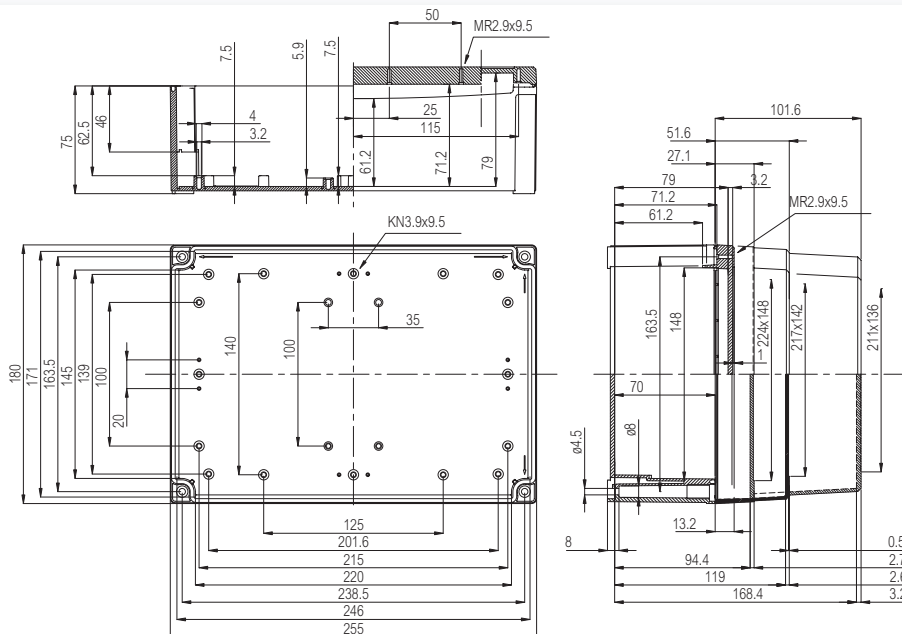


## Enclosures

Order symbol	Code	Dimensions	Description
PC 200/88 XHG	6013330	255 x 180 x 88	Enclosure, PC • Grey cover
PC 200/100 XHG	6013326	255 x 180 x 100	Enclosure, PC • Grey cover
PC 200/125 XHG	6013327	255 x 180 x 125	Enclosure, PC • Grey cover
PC 200/175 XHG	6013329	255 x 180 x 175	Enclosure, PC • Grey cover
PC 200/88 XHT	6013930	255 x 180 x 88	Enclosure, PC • Smoked transparent cover
PC 200/100 XHT	6013926	255 x 180 x 100	Enclosure, PC • Smoked transparent cover
PC 200/125 XHT	6013927	255 x 180 x 125	Enclosure, PC • Smoked transparent cover
PC 200/175 XHT	6013929	255 x 180 x 175	Enclosure, PC • Smoked transparent cover
ABS 200/88 XHG	6083330	255 x 180 x 88	Enclosure, ABS • Grey cover
ABS 200/100 XHG	6083326	255 x 180 x 100	Enclosure, ABS • Grey cover
ABS 200/125 XHG	6083327	255 x 180 x 125	Enclosure, ABS • Grey cover
ABS 200/175 XHG	6083329	255 x 180 x 175	Enclosure, ABS • Grey cover
ABS 200/88 XHT	6083930	255 x 180 x 88	Enclosure, ABS • Smoked transparent cover
ABS 200/100 XHT	6083926	255 x 180 x 100	Enclosure, ABS • Smoked transparent cover
ABS 200/125 XHT	6083927	255 x 180 x 125	Enclosure, ABS • Smoked transparent cover
ABS 200/175 XHT	6083929	255 x 180 x 175	Enclosure, ABS • Smoked transparent cover

## Accessories

Order symbol	Code	Dimensions	Description
MIV 200	5514080	223 x 148	Mounting plate (Galvanized steel)
MIN 15	6314577	15 x 150	DIN-15 Mounting rail
MIN 20	6314578	15 x 225	DIN-15 Mounting rail
MIV 15	5514083	35 x 150	DIN-35 Mounting rail
MIV 20	5514084	35 x 225	DIN-35 Mounting rail
FP A 200/180	6314574	237 x 170	Front plate (Aluminium)
HFP 180	6314564		Front plate hinge series for FP A 150-200 • (2 pcs) incl. screws
FP 22046	8522346		Wall fastening lug (4 pcs) • incl. screws





# MNX PC/ABS 300Z

360 x 255

PC: IP 66/IP 67, IK 08  
ABS: IP 66/IP 67, IK 07

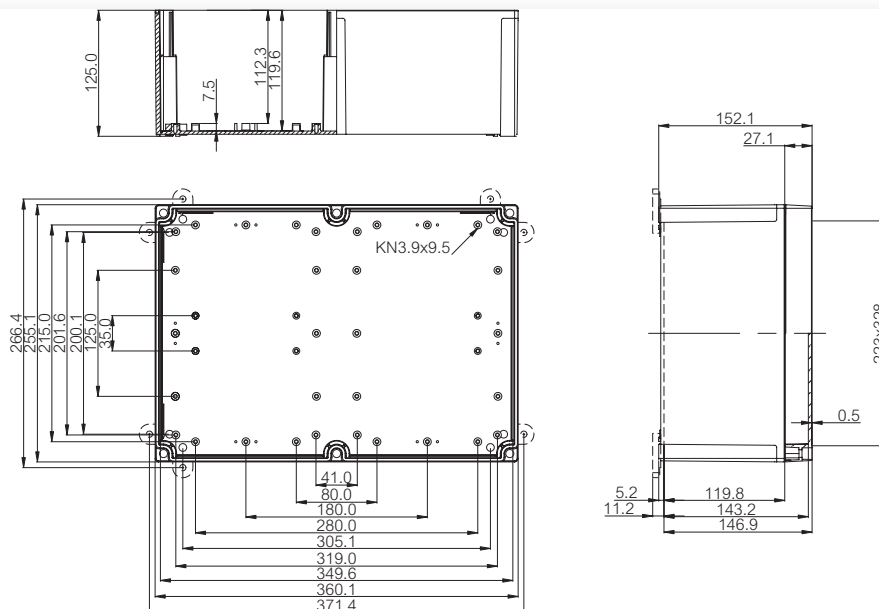
Including: Base with PUR gasket, screws for mounting plate/DIN-rail and cover with polyamide cover screws.

## Enclosures

Order symbol	Code	Dimensions	Description
PC 300/150 ZG	6017338	360 x 255 x 152	Enclosure, PC • Grey cover
PC 300/150 ZT	6017938	360 x 255 x 152	Enclosure, PC • Smoked transparent cover
ABS 300/150 ZG	6087338	360 x 255 x 152	Enclosure, ABS • Grey cover
ABS 300/150 ZT	6087938	360 x 255 x 152	Enclosure, ABS • Smoked transparent cover

## Accessories

Order symbol	Code	Dimensions	Description
MIV 300	5514585	330 x 225	Mounting plate (Galvanized steel)
MIV 200	5514080	223 x 148	Mounting plate (Galvanized steel)
MIV 150	5514078	148 x 98	Mounting plate (Galvanized steel)
MIN 20	6314578	15 x 225	DIN-15 Mounting rail
MIN 15	6314577	15 x 150	DIN-15 Mounting rail
MIV 30	5514586	35 x 329	DIN-35 Mounting rail
MIV 20	5514084	35 x 225	DIN-35 Mounting rail
MIV 15	5514083	35 x 150	DIN-35 Mounting rail
FP 10674	5510674		Wall fastening lug (2 pcs) • incl. screws



# MNX PCM 95

100 x 100

PC: IP 66/IP 67, IK 08



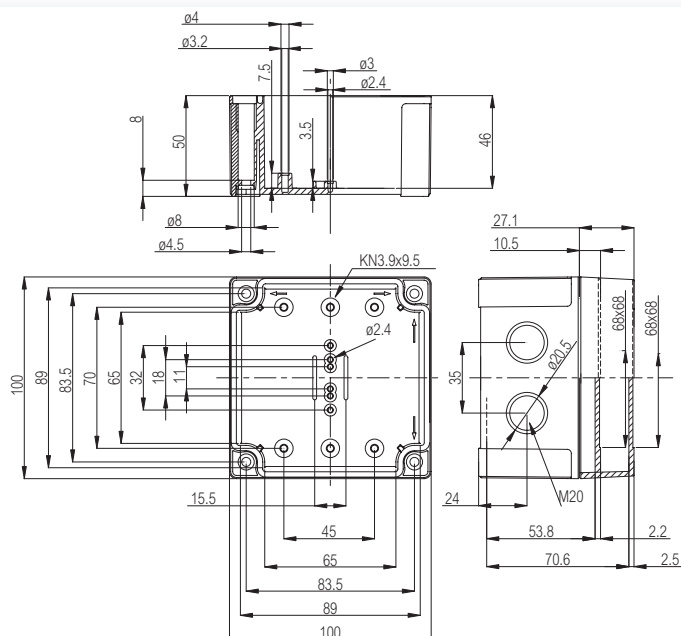
Including: Base with metric knock-outs and PUR gasket, screws for mounting plate/DIN-rail and cover with polyamide cover screws.

## Enclosures

Order symbol	Code	Dimensions	Description
PCM 95/60 G	6016331	100 x 100 x 60	Enclosure, PC ▪ Grey cover
PCM 95/75 G	6016332	100 x 100 x 75	Enclosure, PC ▪ Grey cover
PCM 95/60 T	6016931	100 x 100 x 60	Enclosure, PC ▪ Smoked transparent cover
PCM 95/75 T	6016932	100 x 100 x 75	Enclosure, PC ▪ Smoked transparent cover

## Accessories

Order symbol	Code	Dimensions	Description
MIV 95	5514583	66 x 80	Mounting plate (Galvanized steel)
MIN 8	6314584	15 x 80	DIN-15 Mounting rail
B-3	8524030	35 x 80	DIN-35 Mounting rail
FP 22046	8522346		Wall fastening lug (4 pcs) ▪ incl. screws





# MNX PCM 100

130 x 80

PC: IP 66/IP 67, IK 08

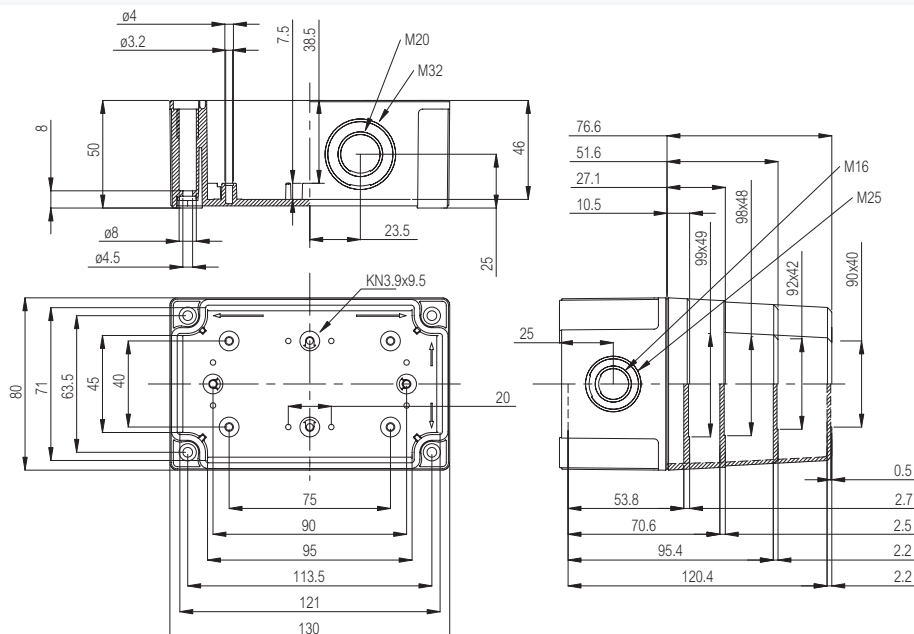
Including: Base with metric knock-outs and TPE gasket, screws for mounting plate/DIN-rail and cover with polyamide cover screws.

## Enclosures

Order symbol	Code	Dimensions	Description
PCM 100/60 G	6016301	130 x 80 x 60	Enclosure, PC • Grey cover
PCM 100/75 G	6016302	130 x 80 x 75	Enclosure, PC • Grey cover
PCM 100/100 G	6016303	130 x 80 x 100	Enclosure, PC • Grey cover
PCM 100/125 G	6016304	130 x 80 x 125	Enclosure, PC • Grey cover
PCM 100/60 T	6016901	130 x 80 x 60	Enclosure, PC • Smoked transparent cover
PCM 100/75 T	6016902	130 x 80 x 75	Enclosure, PC • Smoked transparent cover
PCM 100/100 T	6016903	130 x 80 x 100	Enclosure, PC • Smoked transparent cover
PCM 100/125 T	6016904	130 x 80 x 125	Enclosure, PC • Smoked transparent cover

## Accessories

Order symbol	Code	Dimensions	Description
MIV 100	5514076	98 x 48	Mounting plate (Galvanized steel)
MIN 5	6314575	15 x 50	DIN-15 Mounting rail
MIN 10	6314576	15 x 100	DIN-15 Mounting rail
MIV 5	5514081	35 x 50	DIN-35 Mounting rail
MIV 10	5514082	35 x 100	DIN-35 Mounting rail
FP A 100/130	6314570	120 x 62	Front plate (Aluminium)
HFP 130	6314563		Front plate hinge series for FP A 100-125 • (2 pcs) incl. screws
FP 22046	8522346		Wall fastening lug (4 pcs) • incl. screws



# MNX PCM 125

130 x 130

PC: IP 66/IP 67, IK 08



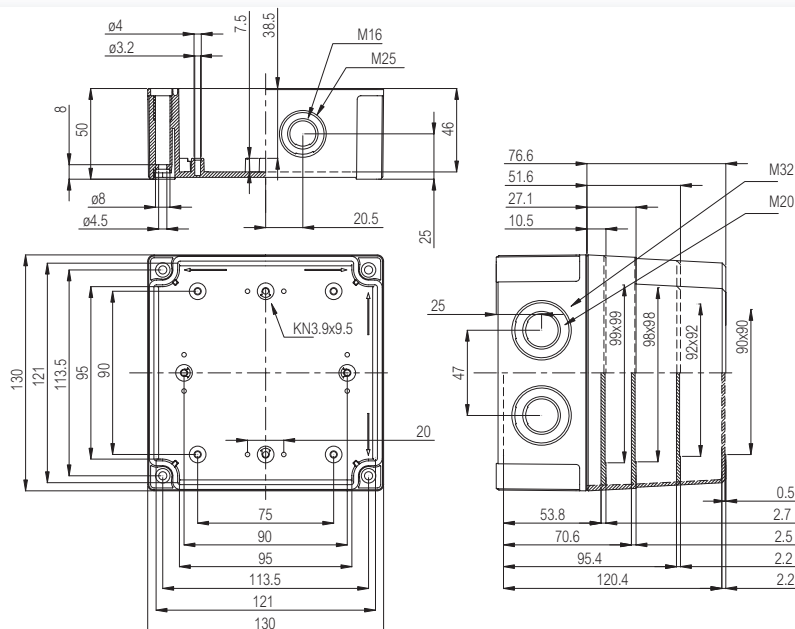
Including: Base with metric knock-outs and TPE gasket, screws for mounting plate/DIN-rail and cover with polyamide cover screws.

## Enclosures

Order symbol	Code	Dimensions	Description
PCM 125/60 G	6016307	130 x 130 x 60	Enclosure, PC • Grey cover
PCM 125/75 G	6016308	130 x 130 x 75	Enclosure, PC • Grey cover
PCM 125/100 G	6016309	130 x 130 x 100	Enclosure, PC • Grey cover
PCM 125/125 G	6016310	130 x 130 x 125	Enclosure, PC • Grey cover
PCM 125/60 T	6016907	130 x 130 x 60	Enclosure, PC • Smoked transparent cover
PCM 125/75 T	6016908	130 x 130 x 75	Enclosure, PC • Smoked transparent cover
PCM 125/100 T	6016909	130 x 130 x 100	Enclosure, PC • Smoked transparent cover
PCM 125/125 T	6016910	130 x 130 x 125	Enclosure, PC • Smoked transparent cover

## Accessories

Order symbol	Code	Dimensions	Description
MIV 125	5514077	98 x 98	Mounting plate (Galvanized steel)
MIN 10	6314576	15 x 100	DIN-15 Mounting rail
MIV 10	5514082	35 x 100	DIN-35 Mounting rail
FP A 125/130	6314571	120 x 112	Front plate (Aluminium)
HFP 130	6314563		Front plate hinge series for FP A 100-125 • (2 pcs) incl. screws
FP 22046	8522346		Wall fastening lug (4 pcs) • incl. screws





# MNX PCM 150

180 x 130

PC: IP 66/IP 67, IK 08

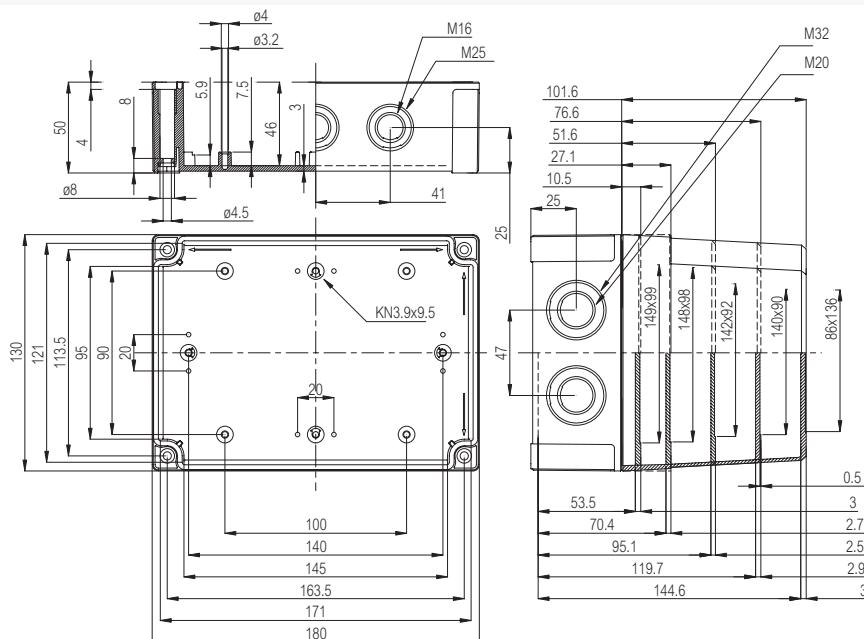
Including: Base with metric knock-outs and TPE gasket, screws for mounting plate/DIN-rail and cover with polyamide cover screws.

## Enclosures

Order symbol	Code	Dimensions	Description
PCM 150/60 G	6016313	180 x 130 x 60	Enclosure, PC • Grey cover
PCM 150/75 G	6016314	180 x 130 x 75	Enclosure, PC • Grey cover
PCM 150/100 G	6016315	180 x 130 x 100	Enclosure, PC • Grey cover
PCM 150/125 G	6016316	180 x 130 x 125	Enclosure, PC • Grey cover
PCM 150/150 G	6016317	180 x 130 x 150	Enclosure, PC • Grey cover
PCM 150/60 T	6016913	180 x 130 x 60	Enclosure, PC • Smoked transparent cover
PCM 150/75 T	6016914	180 x 130 x 75	Enclosure, PC • Smoked transparent cover
PCM 150/100 T	6016915	180 x 130 x 100	Enclosure, PC • Smoked transparent cover
PCM 150/125 T	6016916	180 x 130 x 125	Enclosure, PC • Smoked transparent cover
PCM 150/150 T	6016917	180 x 130 x 150	Enclosure, PC • Smoked transparent cover

## Accessories

Order symbol	Code	Dimensions	Description
MIV 150	5514078	148 x 98	Mounting plate (Galvanized steel)
MIN 10	6314576	15 x 100	DIN-15 Mounting rail
MIN 15	6314577	15 x 150	DIN-15 Mounting rail
MIV 10	5514082	35 x 100	DIN-35 Mounting rail
MIV 15	5514083	35 x 150	DIN-35 Mounting rail
FP A 150/180	6314572	170 x 112	Front plate (Aluminium)
HFP 180	6314564		Front plate hinge series for FP A 150-200 • (2 pcs) incl. screws
FP 22046	8522346		Wall fastening lug (4 pcs) • incl. screws





# MNX PCM 150X

180 x 130

PC: IP 66/IP 67, IK 08



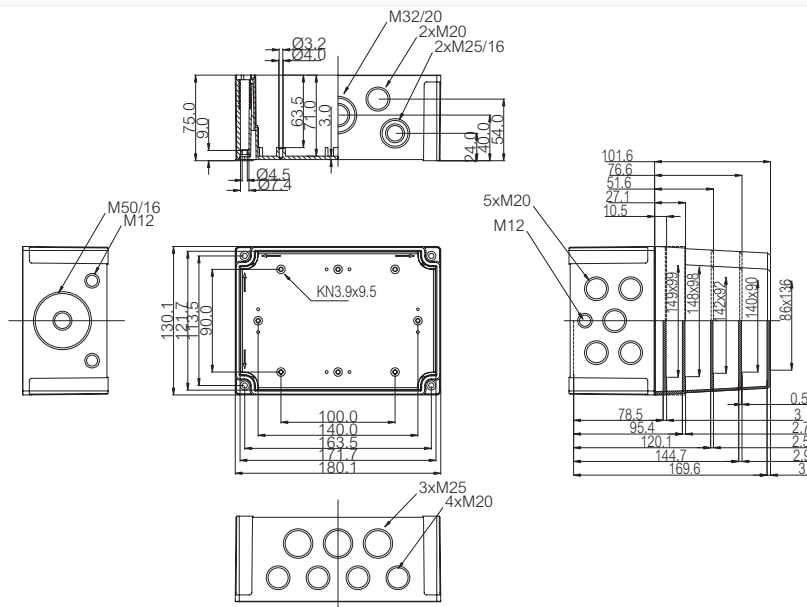
Including: Base with metric knock-outs and PUR gasket, screws for mounting plate/DIN-rail and cover with polyamide cover screws.

## Enclosures

Order symbol	Code	Dimensions	Description
PCM 150/85 XG	6016333	180 x 130 x 85	Enclosure, PC • Grey cover
PCM 150/100 XG	6016334	180 x 130 x 100	Enclosure, PC • Grey cover
PCM 150/125 XG	6016335	180 x 130 x 125	Enclosure, PC • Grey cover
PCM 150/150 XG	6016336	180 x 130 x 150	Enclosure, PC • Grey cover
PCM 150/175 XG	6016337	180 x 130 x 175	Enclosure, PC • Grey cover
PCM 150/85 XT	6016933	180 x 130 x 85	Enclosure, PC • Smoked transparent cover
PCM 150/100 XT	6016934	180 x 130 x 100	Enclosure, PC • Smoked transparent cover
PCM 150/125 XT	6016935	180 x 130 x 125	Enclosure, PC • Smoked transparent cover
PCM 150/150 XT	6016936	180 x 130 x 150	Enclosure, PC • Smoked transparent cover
PCM 150/175 XT	6016937	180 x 130 x 175	Enclosure, PC • Smoked transparent cover

## Accessories

Order symbol	Code	Dimensions	Description
MIV 150	5514078	148 x 98	Mounting plate (Galvanized steel)
MIN 10	6314576	15 x 100	DIN-15 Mounting rail
MIN 15	6314577	15 x 150	DIN-15 Mounting rail
MIV 10	5514082	35 x 100	DIN-35 Mounting rail
MIV 15	5514083	35 x 150	DIN-35 Mounting rail
FP A 150/180	6314572	170 x 112	Front plate (Aluminium)
HFP 180	6314564		Front plate hinge series for FP A 150-200 • (2 pcs) incl. screws
FP 22046	8522346		Wall fastening lug (4 pcs) • incl. screws





# MNX PCM 175

180 x 180

PC: IP 66/IP 67, IK 08

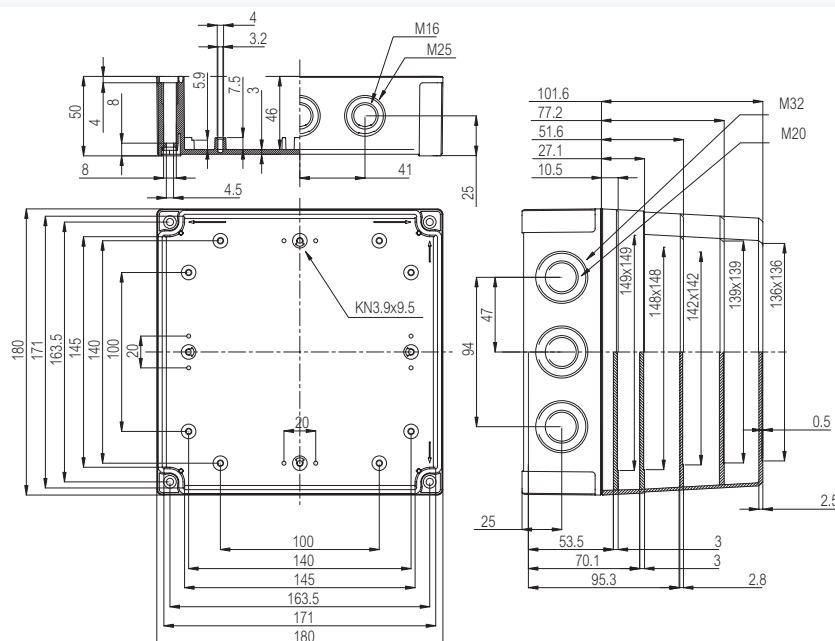
Including: Base with metric knock-outs and TPE gasket, screws for mounting plate/DIN-rail and cover with polyamide cover screws.

## Enclosures

Order symbol	Code	Dimensions	Description
PCM 175/60 G	6016319	180 x 180 x 60	Enclosure, PC • Grey cover
PCM 175/75 G	6016320	180 x 180 x 75	Enclosure, PC • Grey cover
PCM 175/100 G	6016321	180 x 180 x 100	Enclosure, PC • Grey cover
PCM 175/125 G	6016322	180 x 180 x 125	Enclosure, PC • Grey cover
PCM 175/150 G	6016323	180 x 180 x 150	Enclosure, PC • Grey cover
PCM 175/60 T	6016919	180 x 180 x 60	Enclosure, PC • Smoked transparent cover
PCM 175/75 T	6016920	180 x 180 x 75	Enclosure, PC • Smoked transparent cover
PCM 175/100 T	6016921	180 x 180 x 100	Enclosure, PC • Smoked transparent cover
PCM 175/125 T	6016922	180 x 180 x 125	Enclosure, PC • Smoked transparent cover
PCM 175/150 T	6016923	180 x 180 x 150	Enclosure, PC • Smoked transparent cover

## Accessories

Order symbol	Code	Dimensions	Description
MIV 175	5514079	148 x 148	Mounting plate (Galvanized steel)
MIN 15	6314577	15 x 150	DIN-15 Mounting rail
MIV 15	5514083	35 x 150	DIN-35 Mounting rail
FP A 175/180	6314573	170 x 162	Front plate (Aluminium)
HFP 180	6314564		Front plate hinge series for FP A 150-200 • (2 pcs) incl. screws
FP 22046	8522346		Wall fastening lug (4 pcs) • incl. screws



# MNX PCM 200

255 x 180

PC: IP 66/IP 67, IK 08



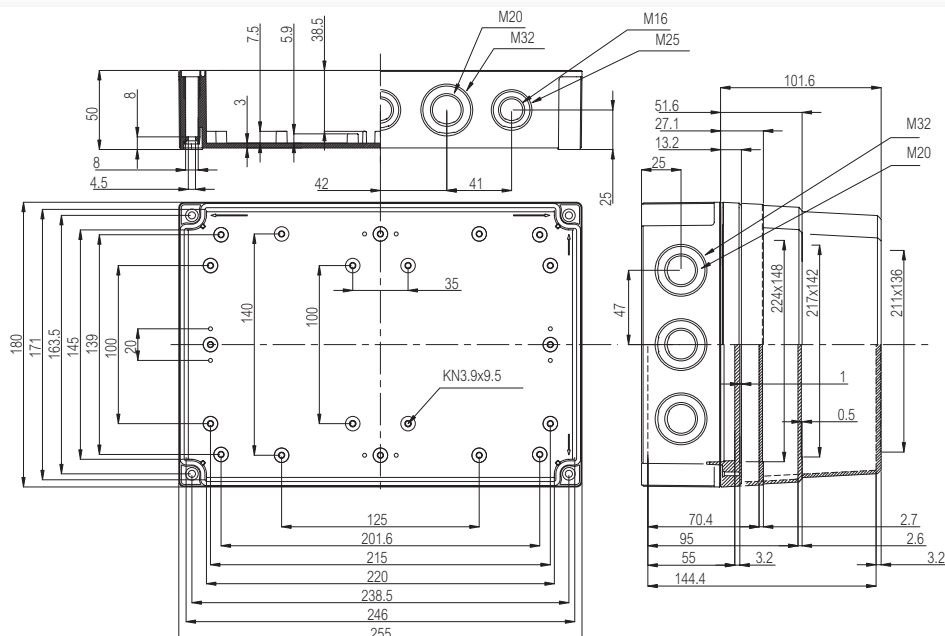
Including: Base with metric knock-outs and TPE gasket, screws for mounting plate/DIN-rail and cover with polyamide cover screws.

## Enclosures

Order symbol	Code	Dimensions	Description
PCM 200/63 G	6016324	255 x 180 x 63	Enclosure, PC • Grey cover
PCM 200/75 G	6016326	255 x 180 x 75	Enclosure, PC • Grey cover
PCM 200/100 G	6016327	255 x 180 x 100	Enclosure, PC • Grey cover
PCM 200/150 G	6016329	255 x 180 x 150	Enclosure, PC • Grey cover
PCM 200/63 T	6016924	255 x 180 x 63	Enclosure, PC • Smoked transparent cover
PCM 200/75 T	6016926	255 x 180 x 75	Enclosure, PC • Smoked transparent cover
PCM 200/100 T	6016927	255 x 180 x 100	Enclosure, PC • Smoked transparent cover
PCM 200/150 T	6016929	255 x 180 x 150	Enclosure, PC • Smoked transparent cover

## Accessories

Order symbol	Code	Dimensions	Description
MIV 200	5514080	223 x 148	Mounting plate (Galvanized steel)
MIN 15	6314577	15 x 150	DIN-15 Mounting rail
MIN 20	6314578	15 x 225	DIN-15 Mounting rail
MIV 15	5514083	35 x 150	DIN-35 Mounting rail
MIV 20	5514084	35 x 225	DIN-35 Mounting rail
FP A 200/180	6314574	237 x 170	Front plate (Aluminium)
HFP 180	6314564		Front plate hinge series for FP A 150-200 • (2 pcs) incl. screws
FP 22046	8522346		Wall fastening lug (4 pcs) • incl. screws





# MNX PCM 200X

255 x 180

PC: IP 66/IP 67, IK 08

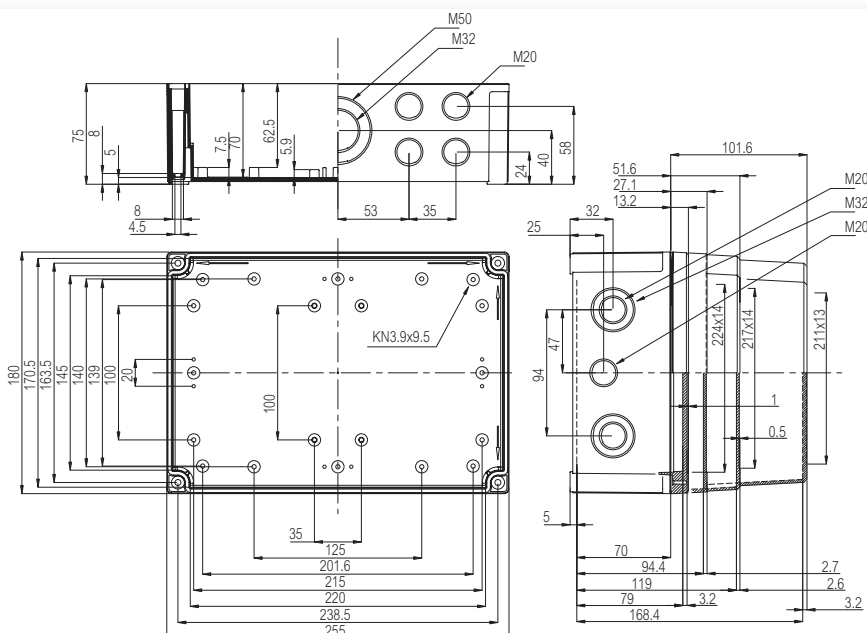
Including: Base with metric knock-outs and PUR gasket, screws for mounting plate/DIN-rail and cover with polyamide cover screws.

## Enclosures

Order symbol	Code	Dimensions	Description
PCM 200/88 XG	6015330	255 x 180 x 88	Enclosure, PC • Grey cover
PCM 200/100 XG	6015326	255 x 180 x 100	Enclosure, PC • Grey cover
PCM 200/125 XG	6015327	255 x 180 x 125	Enclosure, PC • Grey cover
PCM 200/175 XG	6015329	255 x 180 x 175	Enclosure, PC • Grey cover
PCM 200/88 XT	6015930	255 x 180 x 88	Enclosure, PC • Smoked transparent cover
PCM 200/100 XT	6015926	255 x 180 x 100	Enclosure, PC • Smoked transparent cover
PCM 200/125 XT	6015927	255 x 180 x 125	Enclosure, PC • Smoked transparent cover
PCM 200/175 XT	6015929	255 x 180 x 175	Enclosure, PC • Smoked transparent cover

## Accessories

Order symbol	Code	Dimensions	Description
MIV 200	5514080	223 x 148	Mounting plate (Galvanized steel)
MIN 15	6314577	15 x 150	DIN-15 Mounting rail
MIN 20	6314578	15 x 225	DIN-15 Mounting rail
MIV 15	5514083	35 x 150	DIN-35 Mounting rail
MIV 20	5514084	35 x 225	DIN-35 Mounting rail
FP A 200/180	6314574	237 x 170	Front plate (Aluminium)
HFP 180	6314564		Front plate hinge series for FP A 150-200 • (2 pcs) incl. screws
FP 22046	8522346		Wall fastening lug (4 pcs) • incl. screws



# MNX PCM 300Z

360 x 255

PC: IP 66/IP 67, IK 08



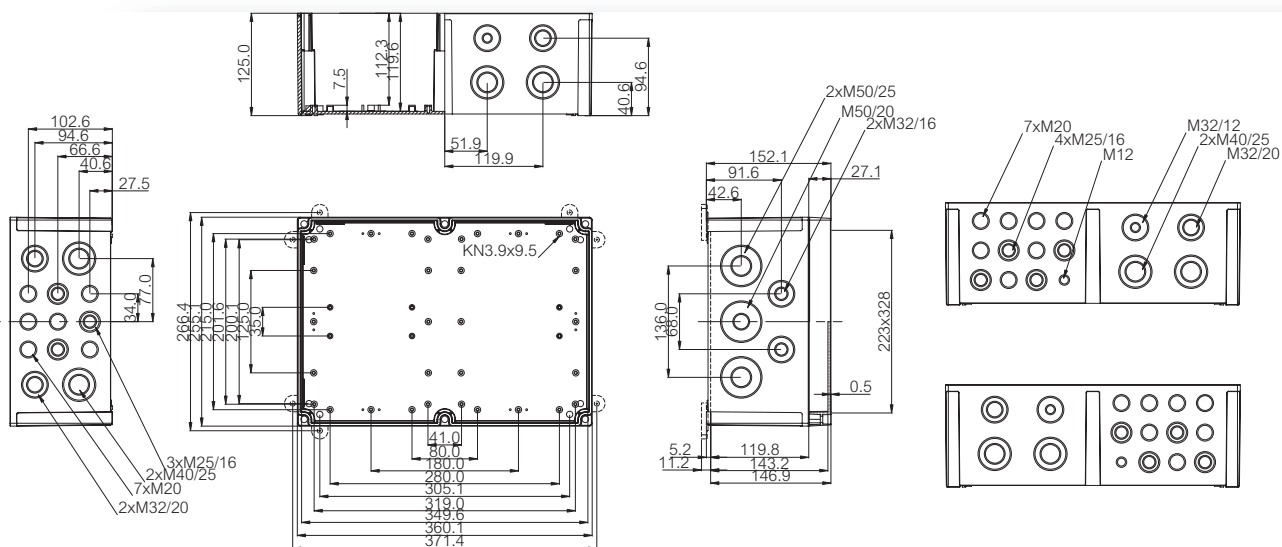
Including: Base with metric knock-outs and PUR gasket, screws for mounting plate/DIN-rail and cover with polyamide cover screws.

## Enclosures

Order symbol	Code	Dimensions	Description
PCM 300/150 ZG	6016338	360 x 255 x 152	Enclosure, PC • Grey cover
PCM 300/150 ZT	6016938	360 x 255 x 152	Enclosure, PC • Smoked transparent cover

## Accessories

Order symbol	Code	Dimensions	Description
MIV 300	5514585	330 x 225	Mounting plate (Galvanized steel)
MIV 200	5514080	223 x 148	Mounting plate (Galvanized steel)
MIV 150	5514078	148 x 98	Mounting plate (Galvanized steel)
MIN 20	6314578	15 x 225	DIN-15 Mounting rail
MIN 15	6314577	15 x 150	DIN-15 Mounting rail
MIV 30	5514586	35 x 329	DIN-35 Mounting rail
MIV 20	5514084	35 x 225	DIN-35 Mounting rail
MIV 15	5514083	35 x 150	DIN-35 Mounting rail
FP 10674	5510674		Wall fastening lug (2 pcs) • incl. screws



## ACCESSORIES

Order symbol      Code      Description

### Mounting plates (Galvanized steel, sheet thickness 1,5 mm)

MIV 95	5514583	66 x 80
MIV 100	5514076	98 x 48
MIV 125	5514077	98 x 98
MIV 150	5514078	148 x 98
MIV 175	5514079	148 x 148
MIV 200	5514080	223 x 148
MIV 300	5514585	330 x 225

### DIN-15 Mounting rails (Galvanized steel, rail height 5,0 mm)

MIN 5	6314575	15 x 50
MIN 8	6314584	15 x 80
MIN 10	6314576	15 x 100
MIN 15	6314577	15 x 150
MIN 20	6314578	15 x 225

### DIN-35 Mounting rails (Galvanized steel, rail height 7,5 mm)

MIV 5	5514081	35 x 50
MIV 10	5514082	35 x 100
MIV 15	5514083	35 x 150
MIV 20	5514084	35 x 225
MIV 30	5514586	35 x 329

### Front plates (Aluminium, sheet thickness 1,5 mm)

FP A 100/130	6314570	120 x 62
FP A 125/130	6314571	120 x 112
FP A 150/180	6314572	170 x 112
FP A 175/180	6314573	170 x 162
FP A 200/180	6314574	237 x 170

### Front plate hinge series

HFP 130	6314563	Front plate hinge series for FP A 100-125 ▪ (2 pcs) incl. screws
HFP 180	6314564	Front plate hinge series for FP A 150-200 ▪ (2 pcs) incl. screws

### Hinges and wall mounting

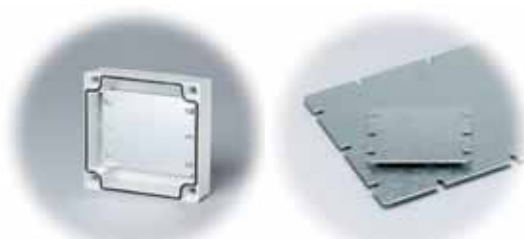
TH A	9802001	Grey plastic hinges (2 pcs) ▪ incl. mounting screws
TH BA	9802000	Black plastic hinges (2 pcs) ▪ incl. mounting screws
MB 14560	6314560	Grey blind plug ▪ Use with TH A hinges
MB 14560B	6334560	Black blind plug ▪ Use with TH BA hinges
FP 22046	8522346	Wall fastening lug (4 pcs) ▪ incl. screws
FP 10674	5510674	Wall fastening lug (2 pcs) ▪ incl. screws

### Cover screws

SS 14550L	6314550	Cover screw for 10/13 mm cover ▪ Grey
SS 14551H	6314551	Cover screw for 25-100 mm covers ▪ Grey
SS 14550BL	6334550	Cover screw for 10/13 mm cover ▪ Black
SS 14551BH	6334551	Cover screw for 25-100 mm covers ▪ Black

### Grey screw set for grey covers

MBS LL	6300001	Low cover (10/13 mm) ▪ Low base (25 mm)
MBS LH	6300002	Low cover (10/13 mm) ▪ High base (50-125 mm)
MBS HL	6300003	High cover (25-100 mm) ▪ Low base (25 mm)
MBS HH	6300004	High cover (25-100 mm) ▪ High base (50-125 mm)



## ACCESSORIES

Order symbol      Code      Description

### Black screw set for transparent covers

MBS BLL	6330001	Low cover (10/13 mm) ▪ Low base (25 mm)
MBS BLH	6330002	Low cover (10/13 mm) ▪ High base (50 - 125 mm)
MBS BHL	6330003	High cover (25-100 mm) ▪ Low base (25 mm)
MBS BHH	6330004	High cover (25-100 mm) ▪ High base (50-125 mm)



### Polyamide wing heads

MB 14552	6314552	Wing head for cover screw ▪ Grey
MB 14552B	6334552	Wing head for cover screw ▪ Black
MBS 14552	6300005	Grey wing head set ▪ (40 pcs)
MBS 14552B	6330005	Black wing head set ▪ (40 pcs)



### Polyamide sealing plugs

DP 14553	6314553	Sealing plug for cover screw ▪ Grey
DP 14553B	6334553	Sealing plug for cover screw ▪ Black
DPS 14553	6300006	Grey sealing plug set ▪ (40 pcs)
DPS 14553B	6330006	Black sealing plug set ▪ (40 pcs)



### Mounting screws

MR ZN2.9x6.5	6314052	Mounting screw ▪ only for low bases (25 mm)
KN 3.9x9.5	5514042	Mounting screw
KN 3.9x9.5-10 SET	5614042	Mounting screw set ▪ (10 pcs)



## MNX technical information

Property	Polycarbonate (PC)	ABS
Ingress Protection (EN 60529)	IP 66/IP 67	IP 66/IP 67
Impact Resistance (EN 62262)	IK 08	IK 07
Temperature Range Celsius	-40° . . 120°C	-40° . . 80°C
(short term) Fahrenheit	-40° . . 250°F	-40° . . 175°F
Temperature Range Celsius	-40° . . 80°C	-40° . . 60°C
(continuous) Fahrenheit	-40° . . 175°F	-40° . . 140°F
Electrical Insulation	Totally insulated ☐	Totally insulated ☐
Light Grey Parts Colour	RAL 7035 Industry Grey	RAL 7035 Industry Grey
Transparent Clear PC Cover	Smoked Grey	Smoked Grey
Cover Screws	Black or Grey	Black or Grey
Cover Screws	Polyamide (PA)	Polyamide (PA)
Gasket	TPE/PUR	TPE/PUR
Enclosure Flammability Rating	UL 94-5V	UL 94HB
Glow Wire Test (IEC 695-2-1) Self-extinguishing (PC)	960°C	650°C
Non-toxicity	Halogen Free	Halogen Free
UV resistance	UL 508 720 hours in "Weather-ometer"	
Chemical Resistance *	Good	Good

Data subject to change without notice.

\*Consult separate raw material data for more detailed information

### Conformity to standards

**USA** Enclosures for Electrical Equipment  
PC: UL Type 1, 4, 4X, 6 (12 or 13); UL File E75645 Vol 1  
Sec 7; UL 746C-5VA flame test (UL 50/508)  
ABS: NEMA 1, 4, 4X, 6 (12 or 13)

**Canada** Industrial Control Equipment  
Enclosures for Electrical Equipment/ULC

**Europe** Empty enclosures for low-voltage switchgear and  
controlgear assemblies EN 62208:2003 (50298:1998)

**Europe** Safety of Information Technology Equipment EN  
60950  
RoHS directive 2002/95/EC

**Russia** GostR - Gost Russian certificate of conformity

## Fibox DG

Fibox DG enclosures, control units for demanding environments have been developed in close co-operation with key customers. Unique design saves time in assembly and on-site installation.



**DG** 



**Cable channel  
below base**



**Easy and simple hinge**



**RoHS compliant and  
halogen-free**



# DG DG 2819

280 x 192

PC: IP 66/IP 67, IK 08  
ABS: IP 66/IP 67, IK 07



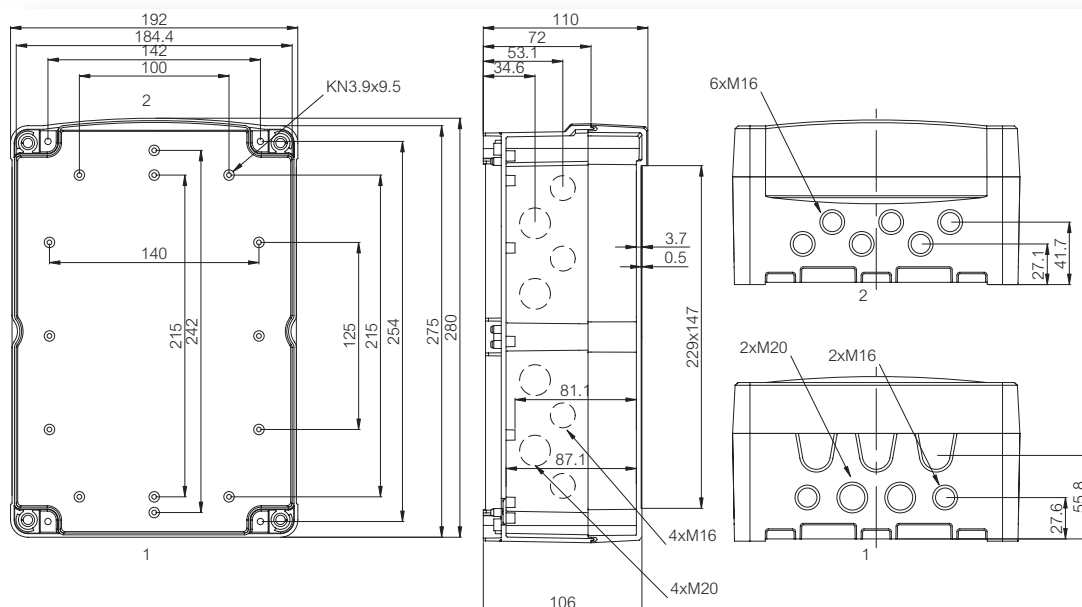
Including: Base with screws for mounting plate/DIN-rail, cover with PUR gasket and polyamide cover screws.  
DGM-version: Base with metric knock-outs and U-gland cut-outs.

## Enclosures

Order symbol	Code	Dimensions	Description
DGP 281911	6010001	280 x 192 x 110	Enclosure, PC • Grey cover
DGM 281911	6010107	280 x 192 x 110	Enclosure, PC, IP 65 • Metric knock-outs, Grey cover
DGA 281911	6080001	280 x 192 x 110	Enclosure, ABS • Grey cover

## Accessories

Order symbol	Code	Dimensions	Description
MIV 200	5514080	223 x 148	Mounting plate (Galvanized steel)
MIV 150	5514078	148 x 98	Mounting plate (Galvanized steel)
MIN 20	6314578	15 x 225	DIN-15 Mounting rail
MIN 15	6314577	15 x 150	DIN-15 Mounting rail
MIV 20	5514084	35 x 225	DIN-35 Mounting rail
MIV 15	5514083	35 x 150	DIN-35 Mounting rail
FP 10674	5510674		Wall fastening lug (2 pcs) • incl. screws



## ACCESSORIES

Order symbol	Code	Description
--------------	------	-------------

### Mounting plates (Galvanized steel, sheet thickness 1,5 mm)

MIV 150	5514078	148 x 98
MIV 200	5514080	223 x 148



### DIN-15 Mounting rails (Galvanized steel, rail height 5,0 mm)

MIN 15	6314577	15 x 150
MIN 20	6314578	15 x 225



### DIN-35 Mounting rails (Galvanized steel, rail height 7,5 mm)

MIV 15	5514083	35 x 150
MIV 20	5514084	35 x 225



### Hinges and wall mounting

TH SET	6314020	Plastic hinge set (2 pcs)
FP 10674	5510674	Wall fastening lug (2 pcs) ▪ incl. screws



### Polyamide U-Cable gland, Grey RAL 7035, IP 65

GPU 10-14	7016310	U-Cable gland for cable 10-14 mm ▪ Temperature range -30...+80°C
-----------	---------	--



### Cover and mounting screws

CS 26131	7346131	Cover screw
CSS 26131	6300008	Cover screw set ▪ 4 x CS 26131 + 4 x KN 3.9x9.5
KN 3.9x9.5	5514042	Mounting screw



## DG technical information

Property	Polycarbonate (PC)	ABS
Ingress Protection (EN 60529)	IP 66/IP 67	IP 66/IP 67
Impact Resistance (EN 62262)	IK 08	IK 07
Temperature Range Celsius	-40° . . 120°C	-40° . . 80°C
(short term) Fahrenheit	-40° . . 250°F	-40° . . 175°F
Temperature Range Celsius	-40° . . 80°C	-40° . . 60°C
(continuous) Fahrenheit	-40° . . 175°F	-40° . . 140°F
Electrical Insulation	Totally insulated ☐	Totally insulated ☐
Light Grey Parts Colour	RAL 7035 Industry Grey	RAL 7035 Industry Grey
Cover Screws	Grey	Grey
Cover Screws	Polyamide (PA)	Polyamide (PA)
Gasket	PUR	PUR
Enclosure Flammability Rating	UL 94-5V	UL 94HB
Glow Wire Test (IEC 695-2-1) Self-extinguishing (PC)	960°C	650°C
Non-toxicity	Halogen Free	Halogen Free
UV resistance	UL 508 720 hours in "Weather- ometer"	
Chemical Resistance *	Good	Good

## Confirmity to standards

**USA** Enclosures for Electrical Equipment  
PC: NEMA 1, 3, 3S, 4\*, 4X\*, 6, 12 or 13; UL 746C-5VA  
flame test (UL 50/508)

\* All but DGM with U-cable glands.  
ABS: NEMA 1, 4, 4X, 6, 12 or 13

**Europe** Empty enclosures for low-voltage switchgear and  
controlgear assemblies EN 62208:2003 (50298:1998)

RoHS directive 2002/95/EC

Data subject to change without notice.

\* Consult separate raw material data for more detailed information

## Fibox TEMPO

Fibox Tempo enclosures are easy to use because they are designed to save time and money in assembly and installation. Enclosures are fully compatible with the most common types of standard enclosure market. Plain cover offers lots of space for printing and labels.



# TEMPO



Market compatible dimensions Quick-to-install hinge and mounting pods



RoHS compliant and halogen-free

# TEMPO ABS 1912

187 x 122

ABS: IP 65, IK 07



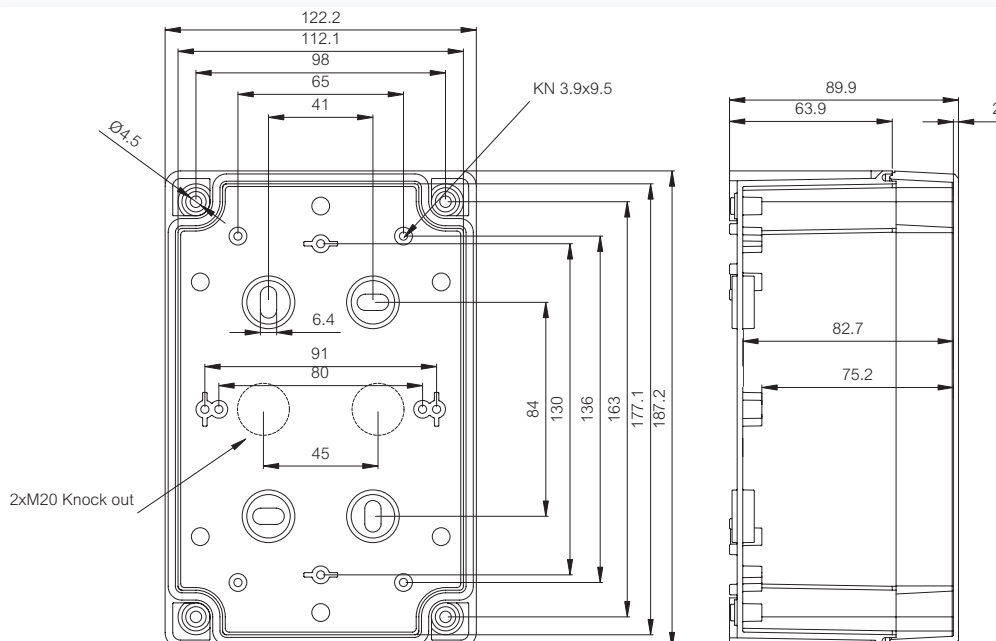
Including: Base with PUR gasket and screws for mounting plate/DIN-rail, cover with polyamide cover screws and plastic hinges.

## Enclosures

Order symbol	Code	Dimensions	Description
TA191209	5814000	187 x 122 x 90	Enclosure, ABS • Grey cover
TA191209T	5814005	187 x 122 x 90	Enclosure, ABS • Clear transparent cover

## Accessories

Order symbol	Code	Dimensions	Description
MP 1912	5518022	140 x 100	Mounting plate
MIV 10	5514082	35 x 100	DIN-35 Mounting rail
DH-3	8524032	35 x 140	DIN-35 Mounting rail
FP 10674	5510674		Wall fastening lug (2 pcs) • incl. screws
DPS 14553	6300006		Grey sealing plug set • (40 pcs)





# TEMPO ABS 2016

201 x 163

ABS: IP 65, IK 07

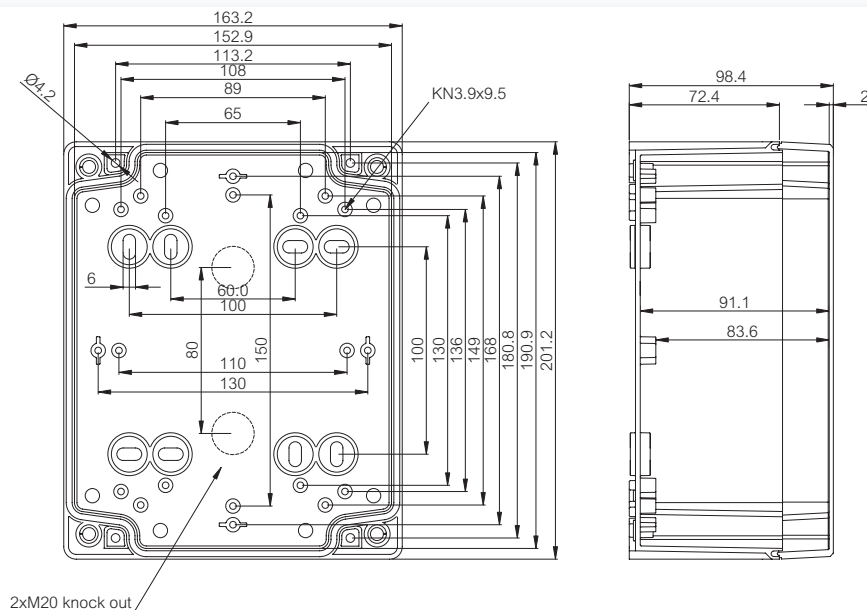
Including: Base with PUR gasket and screws for mounting plate/DIN-rail, cover with polyamide cover screws and plastic hinges.

## Enclosures

Order symbol	Code	Dimensions	Description
TA201610	5814001	201 x 163 x 98	Enclosure, ABS • Grey cover
TA201610T	5814006	201 x 163 x 98	Enclosure, ABS • Clear transparent cover

## Accessories

Order symbol	Code	Dimensions	Description
MP 2016	5518023	155 x 140	Mounting plate
DH-3	8524032	35 x 140	DIN-35 Mounting rail
ARH 2320	9822005	35 x 180	DIN-35 Mounting rail
FP 10674	5510674		Wall fastening lug (2 pcs) • incl. screws
DPS 14553	6300006		Grey sealing plug set • (40 pcs)



# TEMPO ABS 2419

240 x 191

ABS: IP 65, IK 07



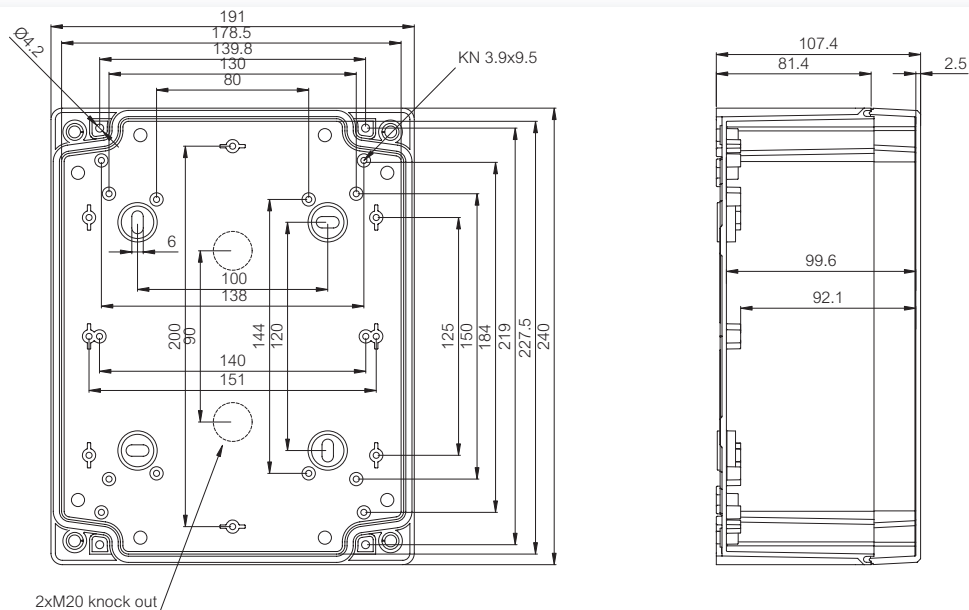
Including: Base with PUR gasket and screws for mounting plate/DIN-rail, cover with polyamide cover screws and plastic hinges.

## Enclosures

Order symbol	Code	Dimensions	Description
TA241911	5814002	240 x 191 x 107	Enclosure, ABS • Grey cover
TA241911T	5814007	240 x 191 x 107	Enclosure, ABS • Clear transparent cover

## Accessories

Order symbol	Code	Dimensions	Description
MP 2419	5518024	210 x 160	Mounting plate
EKV 12	3770647	35 x 160	DIN-35 Mounting rail
DR 210	5518027	35 x 210	DIN-35 Mounting rail
FP 10674	5510674		Wall fastening lug (2 pcs) • incl. screws
DPS 14553	6300006		Grey sealing plug set • (40 pcs)





# TEMPO ABS 2924

289 x 239

ABS: IP 65, IK 07

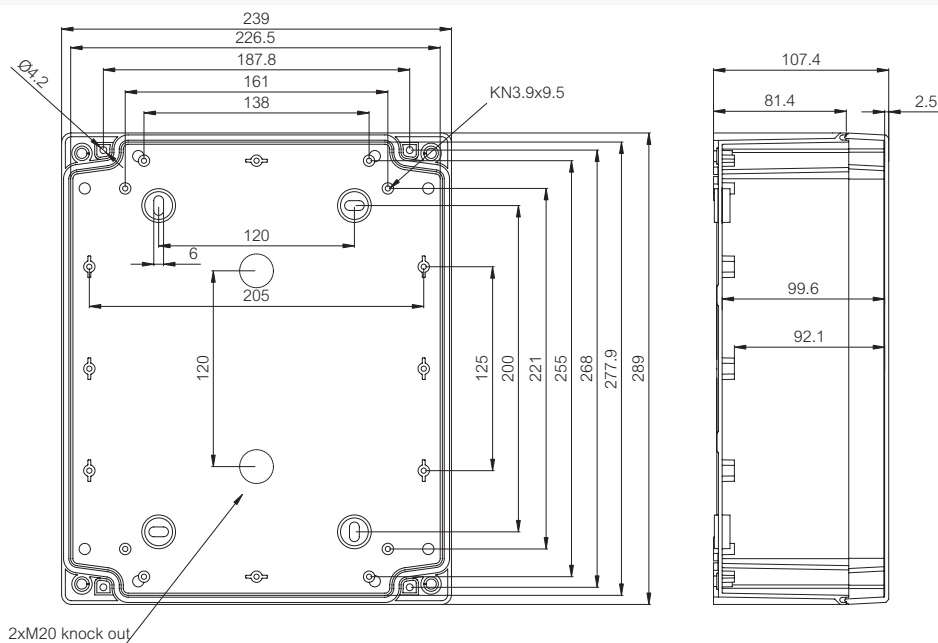
Including: Base with PUR gasket and screws for mounting plate/DIN-rail, cover with polyamide cover screws and plastic hinges.

## Enclosures

Order symbol	Code	Dimensions	Description
TA292411	5814003	289 x 239 x 107	Enclosure, ABS • Grey cover
TA292411T	5814008	289 x 239 x 107	Enclosure, ABS • Clear transparent cover

## Accessories

Order symbol	Code	Dimensions	Description
MP 2924	5518025	265 x 215	Mounting plate
DR 215	5518029	35 x 215	DIN-35 Mounting rail
DR 265	5518028	35 x 265	DIN-35 Mounting rail
FP 10674	5510674		Wall fastening lug (2 pcs) • incl. screws
DPS 14553	6300006		Grey sealing plug set • (40 pcs)



2xM20 knock out



# TEMPO ABS 3429

344 x 289

ABS: IP 65, IK 07



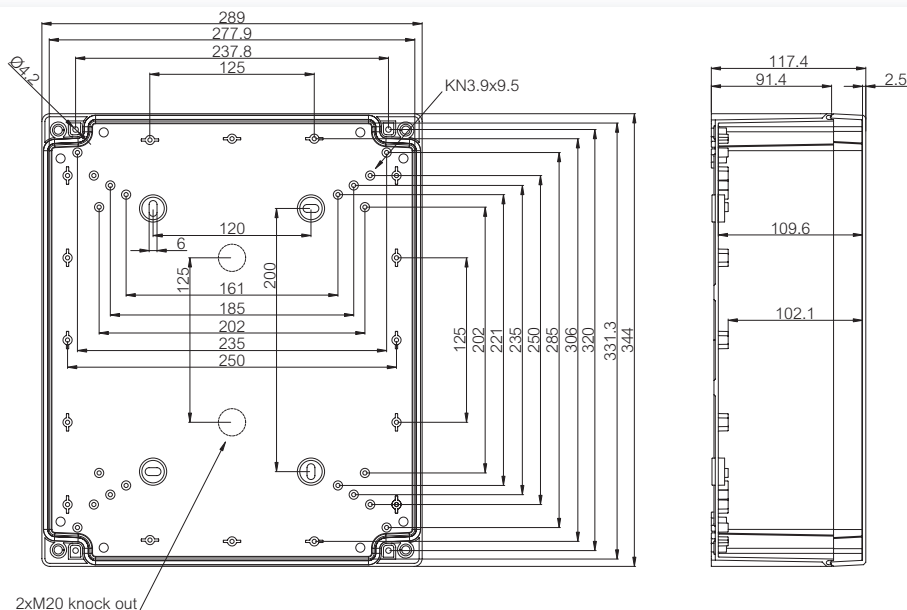
Including: Base with PUR gasket and screws for mounting plate/DIN-rail, cover with polyamide cover screws and plastic hinges.

## Enclosures

Order symbol	Code	Dimensions	Description
TA342912	5814004	344 x 289 x 117	Enclosure, ABS • Grey cover
TA342912T	5814009	344 x 289 x 117	Enclosure, ABS • Clear transparent cover

## Accessories

Order symbol	Code	Dimensions	Description
MP 3429	5518026	315 x 265	Mounting plate
ARH 2328	9822012	35 x 260	DIN-35 Mounting rail
DR 316	5518030	35 x 316	DIN-35 Mounting rail
FP 10674	5510674		Wall fastening lug (2 pcs) • incl. screws
DPS 14553	6300006		Grey sealing plug set • (40 pcs)



## ACCESSORIES

Order symbol      Code      Description

### Mounting plates (Galvanized steel, sheet thickness 1,5 mm)

MP 1912	5518022	140 x 100
MP 2016	5518023	155 x 140
MP 2419	5518024	210 x 160
MP 2924	5518025	265 x 215
MP 3429	5518026	315 x 265

### DIN-35 Mounting rails (Galvanized steel, rail height 7,5 mm)

MIV 10	5514082	35 x 100
DH-3	8524032	35 x 140
EKV 12	3770647	35 x 160
DR 210	5518027	35 x 210
DR 215	5518029	35 x 215
ARH 2328	9822012	35 x 260
DR 265	5518028	35 x 265
DR 316	5518030	35 x 316

### Hinges and wall mounting

TH T	5510021	Hinge set (2 pcs)
FP 10674	5510674	Wall fastening lug (2 pcs) ▪ incl. screws
FEP 26150	7366150	Wall fastening cover plug

### Cover screws

MBS HH	6300004	Cover screw set ▪ Size 1912 only
MBS 18020	5510020	Cover screw set (4 pcs)

### Polyamide wing head and sealing plug sets

MBS 14552	6300005	Grey wing head set ▪ (40 pcs)
DPS 14553	6300006	Grey sealing plug set ▪ (40 pcs)

### Spacers and mounting screws

TS H15 SET	5510031	Spacer set ▪ for mounting plate M4/15mm (4 pcs)
TS H30 SET	5510032	Spacer set ▪ for mounting plate M4/30mm (4 pcs)
KN 3.9x9.5-10 SET	5614042	Mounting screw set ▪ (10 pcs)



## TEMPO technical information

Property	ABS
Ingress Protection (EN 60529)	IP 65
Impact Resistance (EN 62262)	IK 07
Temperature Range Celsius	-40° . . 80°C
(short term) Fahrenheit	-40° . . 175°F
Temperature Range Celsius	-40° . . 60°C
(continuous) Fahrenheit	-40° . . 140°F
Electrical Insulation	Totally insulated ☐
Light Grey Parts Colour	RAL 7035 Industry Grey
Transparent Clear PC Cover	Clear transparent
Cover Screws	Grey
Cover Screws	Polyamide (PA)
Gasket	PUR
Enclosure Flammability Rating	UL 94HB
Glow Wire Test (IEC 695-2-1) Self -extinguishing (PC)	650°C
Non-toxicity	Halogen Free
Chemical Resistance *	Good

Data subject to change without notice.

\*Consult separate raw material data for more detailed information

## Conformity to standards

**Europe** Empty enclosures for low-voltage switchgear and controlgear assemblies EN 62208:2003 (50298:1998)  
RoHS directive 2002/95/EC



**FIBOX – Solutions for demanding environments**



## Fibox PICCOLO

PICCOLO range is especially designed to house push buttons, terminal blocks, motor starters and electronic devices. They are also ideal for mounting and protecting process control sensors and switches. PICCOLO range is available in polycarbonate and ABS.



# PICCOLO



High quality surface  
for printing



Designed for push-buttons



RoHS compliant and  
halogen-free

# PICCOLO PC/ABS B

110 x 80

PC: IP 66/IP 67, IK 08  
ABS: IP 66/IP 67, IK 07

Including: Base with screws for mounting plate/DIN-rail, cover with PUR gasket and polyamide cover screws.

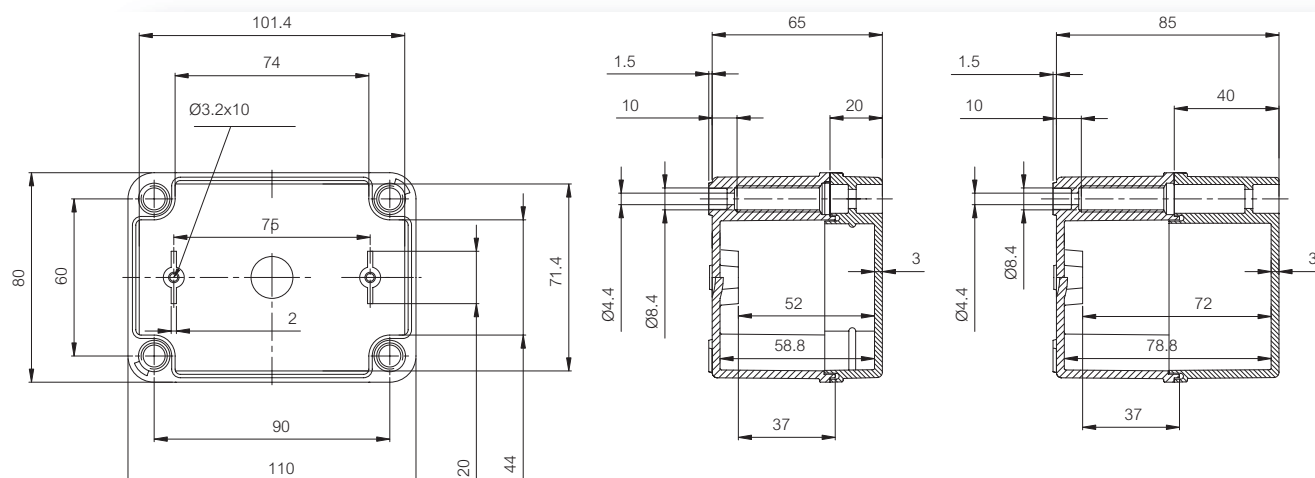


## Enclosures

Order symbol	Code	Dimensions	Description
PC B 65 G	8724303	110 x 80 x 65	Enclosure, PC • Grey cover
PC B 85 G	8724304	110 x 80 x 85	Enclosure, PC • Grey cover
PC B 65 T	8724003	110 x 80 x 65	Enclosure, PC • Transparent cover
PC B 85 T	8724004	110 x 80 x 85	Enclosure, PC • Transparent cover
ABS B 65 G	8784303	110 x 80 x 65	Enclosure, ABS • Grey cover
ABS B 85 G	8784304	110 x 80 x 85	Enclosure, ABS • Grey cover
ABS B 65 T	8784003	110 x 80 x 65	Enclosure, ABS • Transparent cover
ABS B 85 T	8784004	110 x 80 x 85	Enclosure, ABS • Transparent cover

## Accessories

Order symbol	Code	Dimensions	Description
B-MP	8524060	80 x 54	Mounting plate
B-3	8524030	35 x 80	DIN-35 Mounting rail
FP 22040	8522340		Wall fastening lug (2 pcs) • incl. screws





# PICCOLO PC/ABS C

140 x 80

PC: IP 66/IP 67, IK 08  
ABS: IP 66/IP 67, IK 07

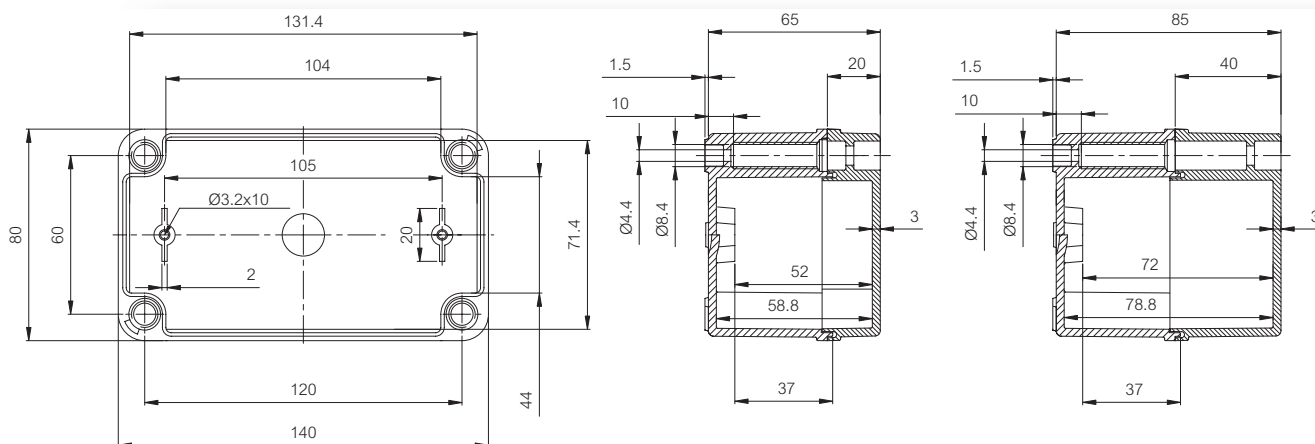
Including: Base with screws for mounting plate/DIN-rail, cover with PUR gasket and polyamide cover screws.

## Enclosures

Order symbol	Code	Dimensions	Description
PC C 65 G	8724305	140 x 80 x 65	Enclosure, PC • Grey cover
PC C 85 G	8724306	140 x 80 x 85	Enclosure, PC • Grey cover
PC C 65 T	8724005	140 x 80 x 65	Enclosure, PC • Transparent cover
PC C 85 T	8724006	140 x 80 x 85	Enclosure, PC • Transparent cover
ABS C 65 G	8784305	140 x 80 x 65	Enclosure, ABS • Grey cover
ABS C 85 G	8784306	140 x 80 x 85	Enclosure, ABS • Grey cover
ABS C 65 T	8784005	140 x 80 x 65	Enclosure, ABS • Transparent cover
ABS C 85 T	8784006	140 x 80 x 85	Enclosure, ABS • Transparent cover

## Accessories

Order symbol	Code	Dimensions	Description
C-MP	8524061	110 x 54	Mounting plate
CHM-3	8524031	35 x 110	DIN-35 Mounting rail
FP 22040	8522340		Wall fastening lug (2 pcs) • incl. screws



# PICCOLO PC/ABS D

170 x 80

PC: IP 66/IP 67, IK 08  
ABS: IP 66/IP 67, IK 07

Including: Base with screws for mounting plate/DIN-rail, cover with PUR gasket and polyamide cover screws.

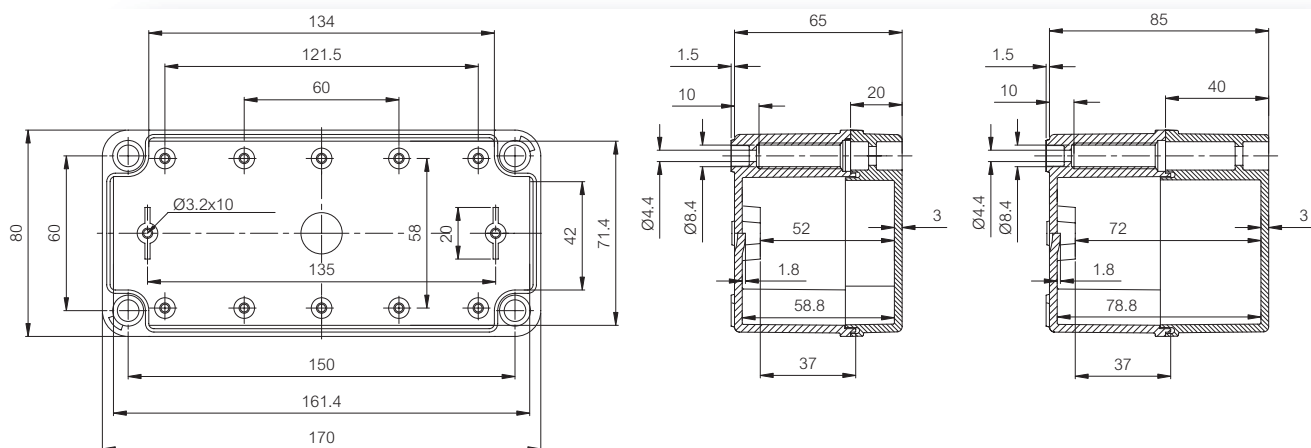


## Enclosures

Order symbol	Code	Dimensions	Description
PC D 65 G	8724307	170 x 80 x 65	Enclosure, PC • Grey cover
PC D 85 G	8724308	170 x 80 x 85	Enclosure, PC • Grey cover
PC D 65 T	8724007	170 x 80 x 65	Enclosure, PC • Transparent cover
PC D 85 T	8724008	170 x 80 x 85	Enclosure, PC • Transparent cover
ABS D 65 G	8784307	170 x 80 x 65	Enclosure, ABS • Grey cover
ABS D 85 G	8784308	170 x 80 x 85	Enclosure, ABS • Grey cover
ABS D 65 T	8784007	170 x 80 x 65	Enclosure, ABS • Transparent cover
ABS D 85 T	8784008	170 x 80 x 85	Enclosure, ABS • Transparent cover

## Accessories

Order symbol	Code	Dimensions	Description
D-MP	8524062	140 x 54	Mounting plate
DH-3	8524032	35 x 140	DIN-35 Mounting rail
FP 22040	8522340		Wall fastening lug (2 pcs) • incl. screws





# PICCOLO PC/ABS F

230 x 80

PC: IP 66/IP 67, IK 08  
ABS: IP 66/IP 67, IK 07

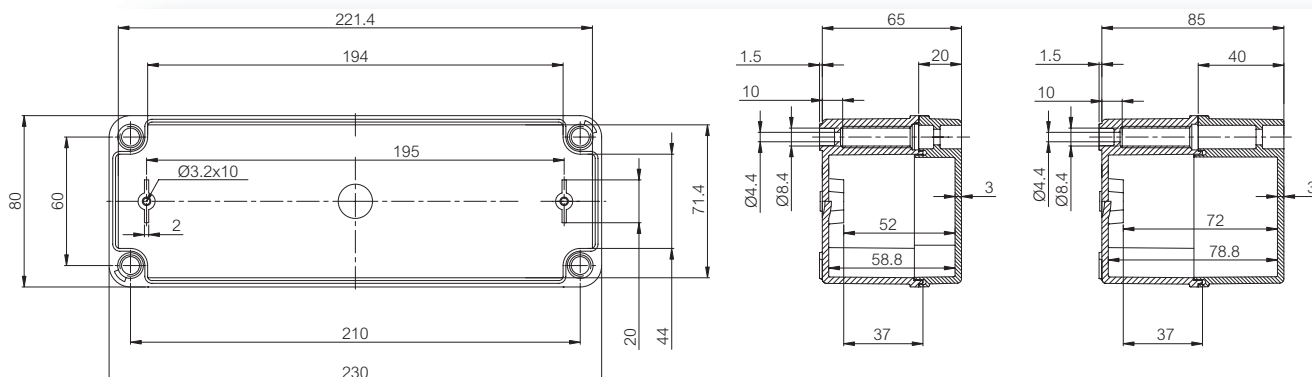
Including: Base with screws for mounting plate/DIN-rail, cover with PUR gasket and polyamide cover screws.

## Enclosures

Order symbol	Code	Dimensions	Description
PC F 65 G	8724311	230 x 80 x 65	Enclosure, PC • Grey cover
PC F 85 G	8724312	230 x 80 x 85	Enclosure, PC • Grey cover
PC F 65 T	8724011	230 x 80 x 65	Enclosure, PC • Transparent cover
PC F 85 T	8724012	230 x 80 x 85	Enclosure, PC • Transparent cover
ABS F 65 G	8784311	230 x 80 x 65	Enclosure, ABS • Grey cover
ABS F 85 G	8784312	230 x 80 x 85	Enclosure, ABS • Grey cover
ABS F 65 T	8784011	230 x 80 x 65	Enclosure, ABS • Transparent cover
ABS F 85 T	8784012	230 x 80 x 85	Enclosure, ABS • Transparent cover

## Accessories

Order symbol	Code	Dimensions	Description
F-MP	8524063	200 x 54	Mounting plate
FM-3	8524033	35 x 200	DIN-35 Mounting rail
FP 22040	8522340		Wall fastening lug (2 pcs) • incl. screws





# PICCOLO PC/ABS H

170 x 140

PC: IP 66/IP 67, IK 08  
ABS: IP 66/IP 67, IK 07

Including: Base with screws for mounting plate/DIN-rail, cover with PUR gasket and polyamide cover screws.

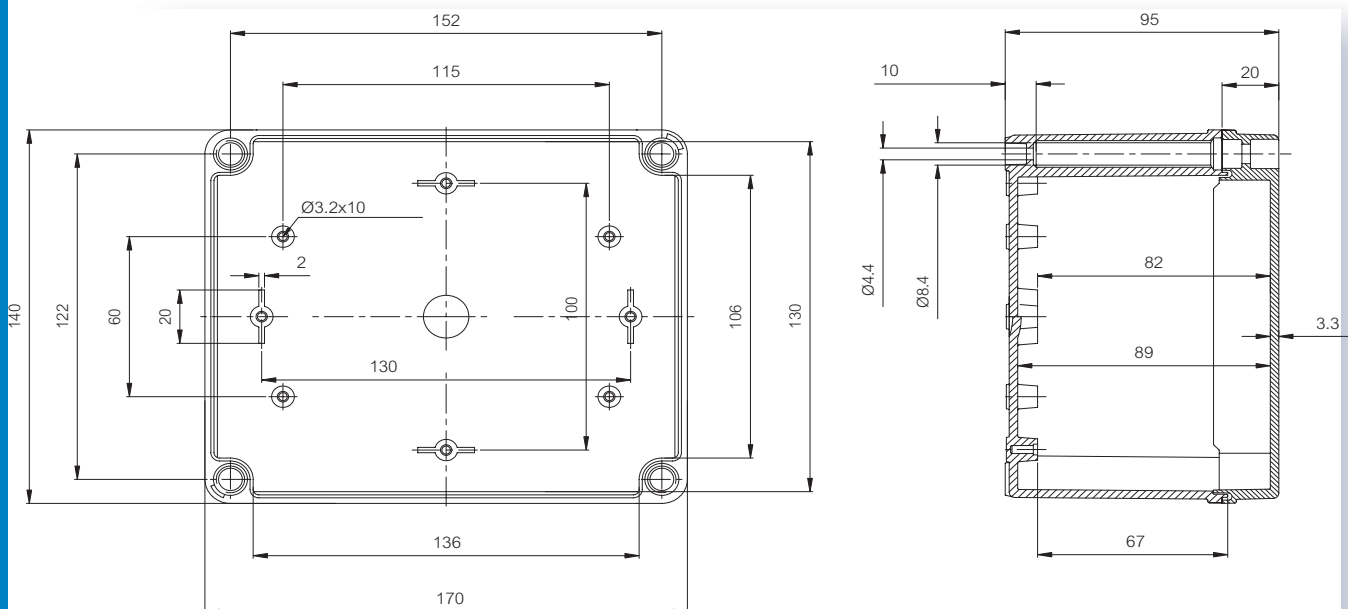


## Enclosures

Order symbol	Code	Dimensions	Description
PC H 95 G	8724315	170 x 140 x 95	Enclosure, PC • Grey cover
PC H 95 T	8724015	170 x 140 x 95	Enclosure, PC • Transparent cover
ABS H 95 G	8784315	170 x 140 x 95	Enclosure, ABS • Grey cover
ABS H 95 T	8784015	170 x 140 x 95	Enclosure, ABS • Transparent cover

## Accessories

Order symbol	Code	Dimensions	Description
H-MP	8524064	125 x 94	Mounting plate
CHM-3	8524031	35 x 110	DIN-35 Mounting rail
DH-3	8524032	35 x 140	DIN-35 Mounting rail
FP 22046	8522346		Wall fastening lug (4 pcs) • incl. screws





# PICCOLO PC/ABS M

230 x 140

PC: IP 66/IP 67, IK 08  
ABS: IP 66/IP 67, IK 07

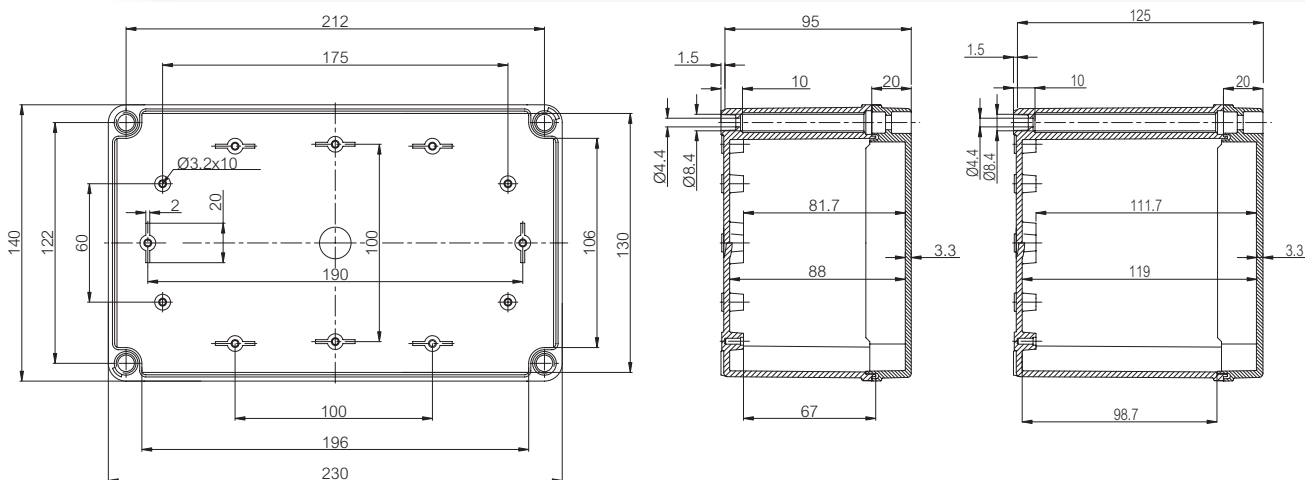
Including: Base with screws for mounting plate/DIN-rail, cover with PUR gasket and polyamide cover screws.

## Enclosures

Order symbol	Code	Dimensions	Description
PC M 95 G	8724318	230 x 140 x 95	Enclosure, PC • Grey cover
PC MH 125 G	8724319	230 x 140 x 125	Enclosure, PC • Grey cover
PC M 95 T	8724018	230 x 140 x 95	Enclosure, PC • Transparent cover
PC MH 125 T	8724019	230 x 140 x 125	Enclosure, PC • Transparent cover
ABS M 95 G	8784318	230 x 140 x 95	Enclosure, ABS • Grey cover
ABS MH 125 G	8784319	230 x 140 x 125	Enclosure, ABS • Grey cover
ABS M 95 T	8784018	230 x 140 x 95	Enclosure, ABS • Transparent cover
ABS MH 125 T	8784019	230 x 140 x 125	Enclosure, ABS • Transparent cover

## Accessories

Order symbol	Code	Dimensions	Description
M-MP	8524065	185 x 94	Mounting plate
CHM-3	8524031	35 x 110	DIN-35 Mounting rail
FM-3	8524033	35 x 200	DIN-35 Mounting rail
FP 22046	8522346		Wall fastening lug (4 pcs) • incl. screws



## ACCESSORIES

Order symbol      Code      Description

### Mounting plates (Galvanized steel, sheet thickness 1,5 mm)

B-MP	8524060	80 x 54
C-MP	8524061	110 x 54
D-MP	8524062	140 x 54
F-MP	8524063	200 x 54
H-MP	8524064	125 x 94
M-MP	8524065	185 x 94

### DIN-35 Mounting rails (Galvanized steel, rail height 7,5 mm)

B-3	8524030	35 x 80
CHM-3	8524031	35 x 110
DH-3	8524032	35 x 140
FM-3	8524033	35 x 200

### Hinges and wall mounting

PA 22039	8522339	Hinges (2 pcs) • incl. screws
TH A	9802001	Grey plastic hinges (2 pcs) • incl. mounting screws
FP 22040	8522340	Wall fastening lug (2 pcs) • incl. screws
FP 22046	8522346	Wall fastening lug (4 pcs) • incl. screws

### Cover and mounting screws

S-20	8522001	Cover screw, grey, polyamide • for 20mm cover
S-40	8522002	Cover screw, grey, polyamide • for 40mm cover
MB S-20KN	8524001	Screw set • incl. 4x S-20 + 4x KN 3.9x9.5
MB S-40KN	8524002	Screw set • incl. 4x S-40 + 4x KN 3.9x9.5
KN 3.9x9.5	5514042	Mounting screw



## PICCOLO technical information

Property	Polycarbonate (PC)	ABS
Ingress Protection (EN 60529)	IP 66/IP 67	IP 66/IP 67
Impact Resistance (EN 62262)	IK 08	IK 07
Temperature Range Celsius (short term)	-40°...120°C	-40°...80°C
Temperature Range Celsius (continuous)	-40°...80°C	-40°...60°C
Temperature Range Fahrenheit (short term)	-40°...250°F	-40°...175°F
Temperature Range Fahrenheit (continuous)	-40°...175°F	-40°...140°F
Electrical Insulation	Totally insulated ☑	Totally insulated ☑
Light Grey Parts Colour	RAL 7035 Industry Grey	RAL 7035 Industry Grey
Transparent Clear PC Cover	Clear transparent	Clear transparent
Cover Screws	RAL 7035	RAL 7035
Cover Screws	Polyamide (PA)	Polyamide (PA)
Gasket	PUR	PUR
Enclosure Flammability Rating	UL 94-5V	UL 94HB
Glow Wire Test (IEC 695-2-1) Self-extinguishing (PC)	960°C	650°C
Non-toxicity	Halogen Free	Halogen Free
UV resistance	UL 508 720 hours in "Weather-ometer"	
Chemical Resistance *	Good	Good

### Conformity to standards

**USA** Enclosures for Electrical Equipment  
PC: UL Type 1, 4X, 6, 12 or 13; UL File E75645 Vol 1 Sec 3;  
UL 746C-5VA flame test (UL 50/508)

**ABS:** NEMA 1, 4X, 6, 12 or 13

**Canada** Industrial Control Equipment  
Enclosures for Electrical Equipment/ULC

**Europe** Empty enclosures for low-voltage switchgear and controlgear assemblies EN 62208:2003 (50298:1998)

**Europe** Safety of Information Technology Equipment  
EN 60950  
RoHS directive 2002/95/EC

**Russia** GostR - Gost Russian certificate of conformity

Data subject to change without notice.

\* Consult separate raw material data for more detailed information

## Fibox EURONORD

EURONORD range is designed to house DIN-rail mounted terminal blocks and various types of sensors. EURONORD enclosures are available in polycarbonate, ABS, polyester and aluminium. There are more than 160 different off-the-shelf versions available.



# EURONORD



Quicklock



Ideal for housing terminals



RoHS compliant and halogen-free

# EURONORD PC/ABS 0505

52 x 50

PC: IP 66/IP 67, IK 07/IK 08  
ABS: IP 66/IP 67, IK 07



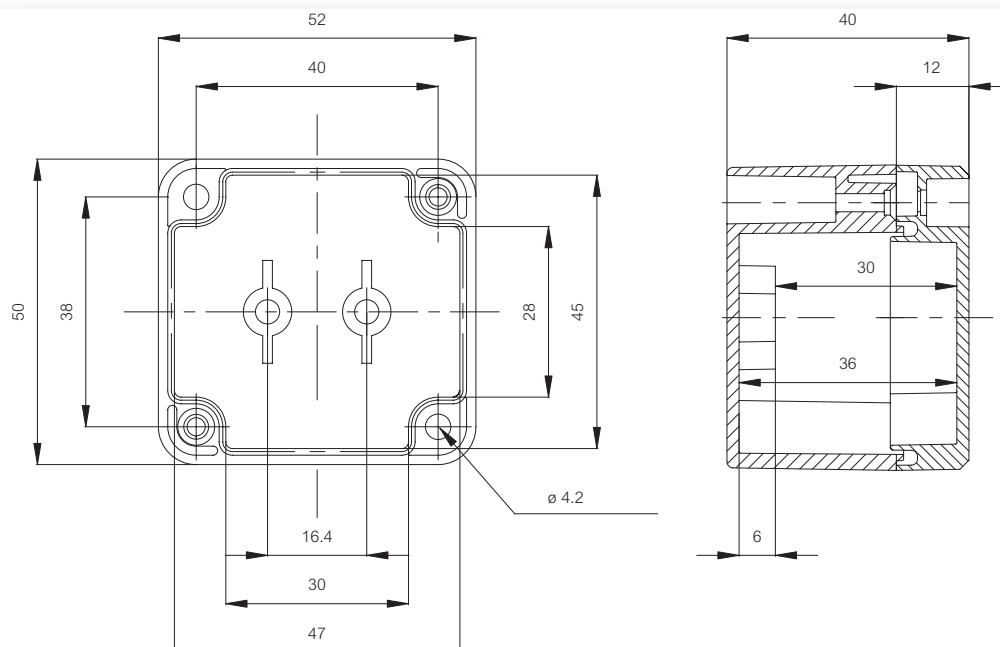
Including: Base with screws for mounting plate/DIN-rail, cover with PUR gasket and ferritic stainless steel cover screws.

## Enclosures

Order symbol	Code	Dimensions	Description
PC 050504	7032500	52 x 50 x 40	Enclosure, PC • Grey cover
AB 050504	7083500	52 x 50 x 40	Enclosure, ABS • Grey cover

## Accessories

Order symbol	Code	Dimensions	Description
TM 0505	9512009	26 x 44	Mounting plate
TF 28037	7028337		Wall fastening lug set • incl. screws
TH A	9802001		Grey plastic hinges (2 pcs) • incl. mounting screws





# EURONORD PC/ABS 0507

65 x 50

PC: IP 66/IP 67, IK 07/IK 08  
ABS: IP 66/IP 67, IK 07

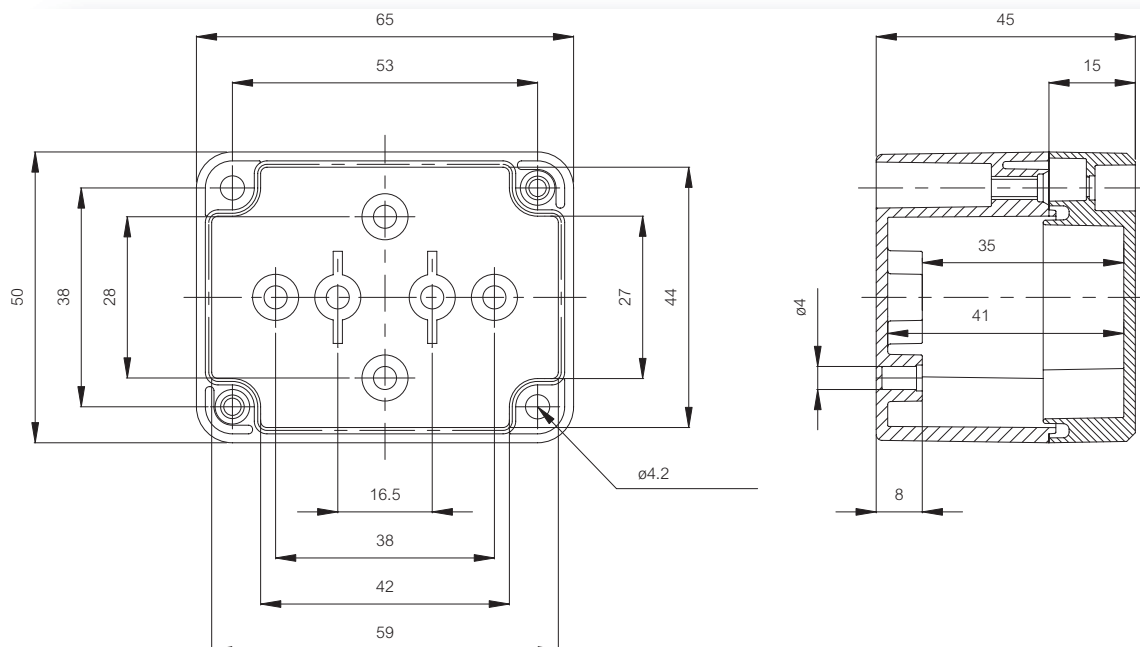
Including: Base with screws for mounting plate/DIN-rail, cover with PUR gasket and ferritic stainless steel cover screws.

## Enclosures

Order symbol	Code	Dimensions	Description
PC 050705	7032520	65 x 50 x 45	Enclosure, PC • Grey cover
PCT 050705	7022521	65 x 50 x 45	Enclosure, PC • Transparent cover
AB 050705	7083520	65 x 50 x 45	Enclosure, ABS • Grey cover

## Accessories

Order symbol	Code	Dimensions	Description
TM 0505	9512009	26 x 44	Mounting plate
TM 0507	9512010	26 x 57	Mounting plate
TRM 0507	9820001	15 x 48	DIN-15 Mounting rail
TF 28037	7028337		Wall fastening lug set • incl. screws
TH A	9802001		Grey plastic hinges (2 pcs) • incl. mounting screws



# EURONORD PC/ABS 0710

98 x 66    PC: IP 66/IP 67, IK 07/IK 08  
ABS: IP 66/IP 67, IK 07



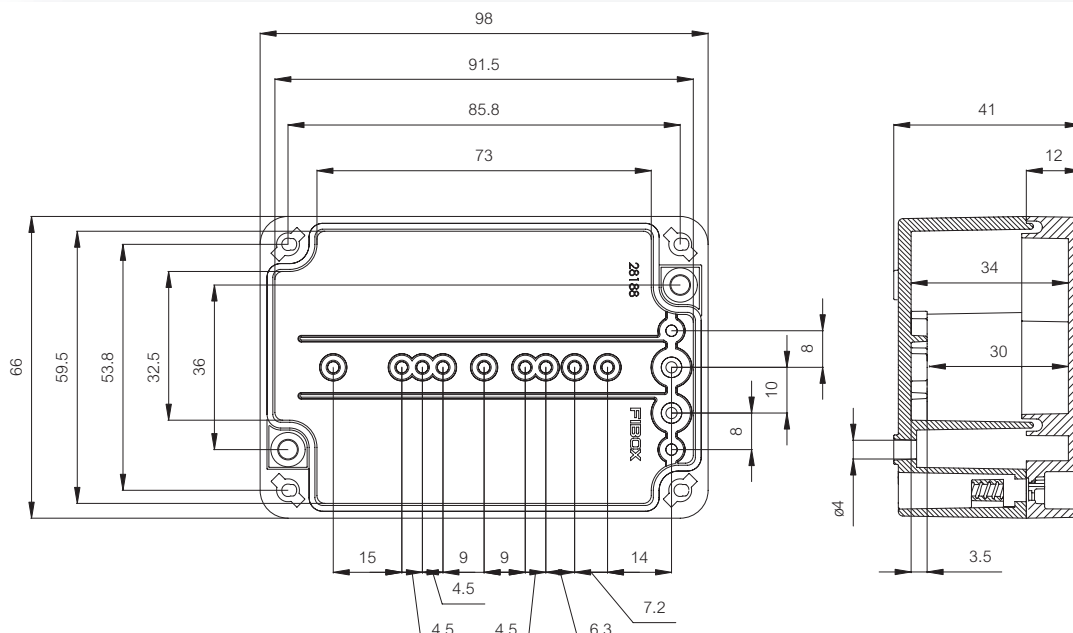
Including: Base with screws for mounting plate/DIN-rail, cover with PUR gasket and ferritic stainless steel cover screws. Q-versions: Base with screws for mounting plate/DIN-rail, cover with PUR gasket and quick-locking cover screws.

## Enclosures

Order symbol	Code	Dimensions	Description
PC 071004	7032530	98 x 66 x 41	Enclosure, PC ▪ Grey cover
PCT 071004	7022531	98 x 66 x 41	Enclosure, PC ▪ Transparent cover
PCQ 071004	7033531	98 x 66 x 41	Enclosure, PC, IP 65 ▪ Grey cover (quick-locking)
PCTQ 071004	7022530	98 x 66 x 41	Enclosure, PC, IP 65 ▪ Transparent cover (quick-locking)
AB 071004	7083530	98 x 66 x 41	Enclosure, ABS ▪ Grey cover
ABQ 071004	7083531	98 x 66 x 41	Enclosure, ABS, IP 65 ▪ Grey cover (quick-locking)

## Accessories

Order symbol	Code	Dimensions	Description
TF 28037	7028337		Wall fastening lug set ▪ incl. screws
TH A	9802001		Grey plastic hinges (2 pcs) ▪ incl. mounting screws





# EURONORD PC/ABS 0808

82 x 80

PC: IP 66/IP 67, IK 07/IK 08  
ABS: IP 66/IP 67, IK 07

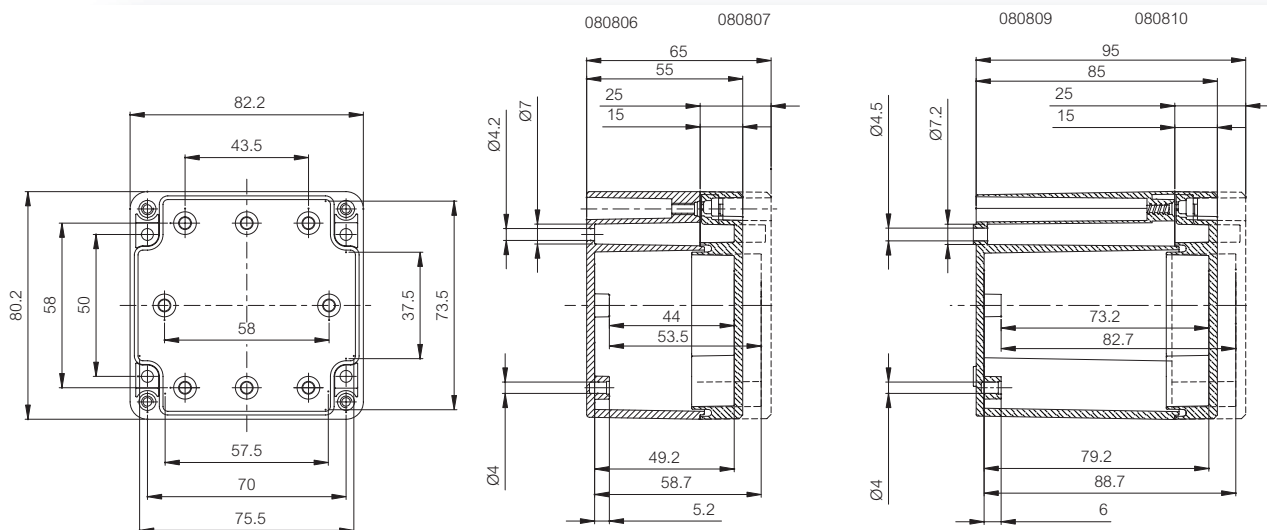
Including: Base with screws for mounting plate/DIN-rail, cover with PUR gasket and ferritic stainless steel cover screws.

## Enclosures

Order symbol	Code	Dimensions	Description
PC 080806	7032540	82 x 80 x 55	Enclosure, PC ▪ Grey cover
PC 080807	7032560	82 x 80 x 65	Enclosure, PC ▪ Grey cover
PC 080809	7032550	82 x 80 x 85	Enclosure, PC ▪ Grey cover
PC 080810	7032570	82 x 80 x 95	Enclosure, PC ▪ Grey cover
PCT 080806	7022541	82 x 80 x 55	Enclosure, PC ▪ Transparent cover
PCT 080807	7022561	82 x 80 x 65	Enclosure, PC ▪ Transparent cover
PCT 080809	7022551	82 x 80 x 85	Enclosure, PC ▪ Transparent cover
PCT 080810	7022571	82 x 80 x 95	Enclosure, PC ▪ Transparent cover
AB 080806	7083540	82 x 80 x 55	Enclosure, ABS ▪ Grey cover
AB 080807	7083560	82 x 80 x 65	Enclosure, ABS ▪ Grey cover
AB 080809	7083550	82 x 80 x 85	Enclosure, ABS ▪ Grey cover
AB 080810	7083570	82 x 80 x 95	Enclosure, ABS ▪ Grey cover

## Accessories

Order symbol	Code	Dimensions	Description
TM 0808	9512011	56 x 71	Mounting plate
TRM 0808	9820004	15 x 68	DIN-15 Mounting rail
TF 28037	7028337		Wall fastening lug set ▪ incl. screws
TH A	9802001		Grey plastic hinges (2 pcs) ▪ incl. mounting screws





# EURONORD

## PC/ABS 0812

120 x 80    PC: IP 66/IP 67, IK 07/IK 08  
 ABS: IP 66/IP 67, IK 07

Including: Base with screws for mounting plate/DIN-rail, cover with PUR gasket and ferritic stainless steel cover screws.

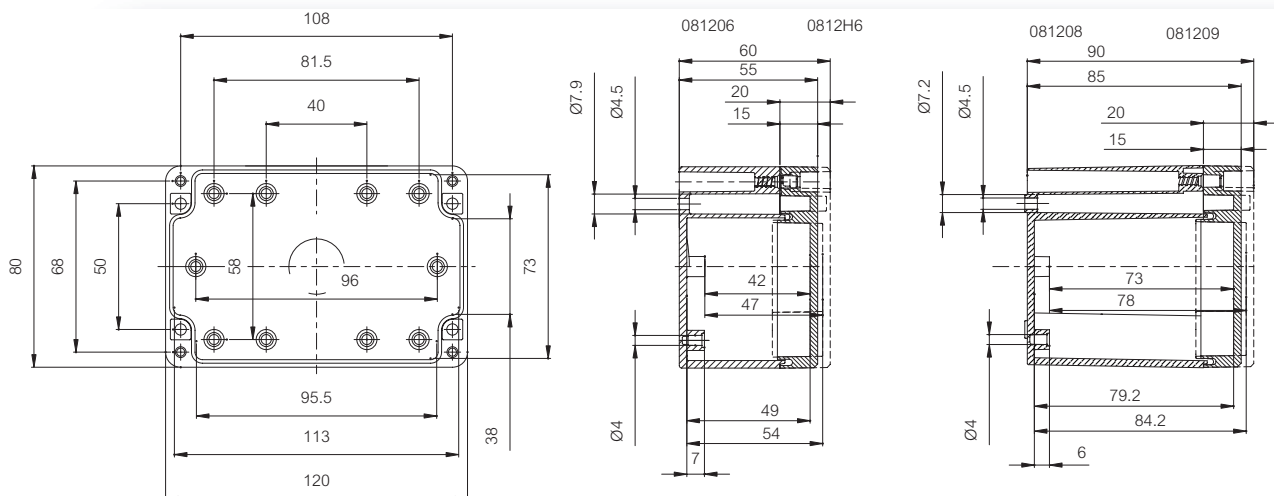


### Enclosures

Order symbol	Code	Dimensions	Description
PC 081206	7032580	120 x 80 x 55	Enclosure, PC • Grey cover
PC 081206H	7032590	120 x 80 x 60	Enclosure, PC • Grey cover
PC 081209	7032600	120 x 80 x 85	Enclosure, PC • Grey cover
PC 081209H	7032610	120 x 80 x 90	Enclosure, PC • Grey cover
PCT 081206	7022581	120 x 80 x 55	Enclosure, PC • Transparent cover
PCT 081206H	7022591	120 x 80 x 60	Enclosure, PC • Transparent cover
PCT 081209	7022601	120 x 80 x 85	Enclosure, PC • Transparent cover
PCT 081209H	7022611	120 x 80 x 90	Enclosure, PC • Transparent cover
AB 081206	7083580	120 x 80 x 55	Enclosure, ABS • Grey cover
AB 081206H	7083590	120 x 80 x 60	Enclosure, ABS • Grey cover
AB 081209	7083600	120 x 80 x 85	Enclosure, ABS • Grey cover
AB 081209H	7083610	120 x 80 x 90	Enclosure, ABS • Grey cover

### Accessories

Order symbol	Code	Dimensions	Description
TM 0812	9512012	71 x 94	Mounting plate
TRM 0808	9820004	15 x 68	DIN-15 Mounting rail
TRM 0812	9820009	15 x 106	DIN-15 Mounting rail
ARH 12	9822001	35 x 105	DIN-35 Mounting rail
TF 28037	7028337		Wall fastening lug set • incl. screws
TH A	9802001		Grey plastic hinges (2 pcs) • incl. mounting screws





# EURONORD PC/ABS 0816

160 x 80 PC: IP 66/IP 67, IK 07/IK 08  
ABS: IP 66/IP 67, IK 07

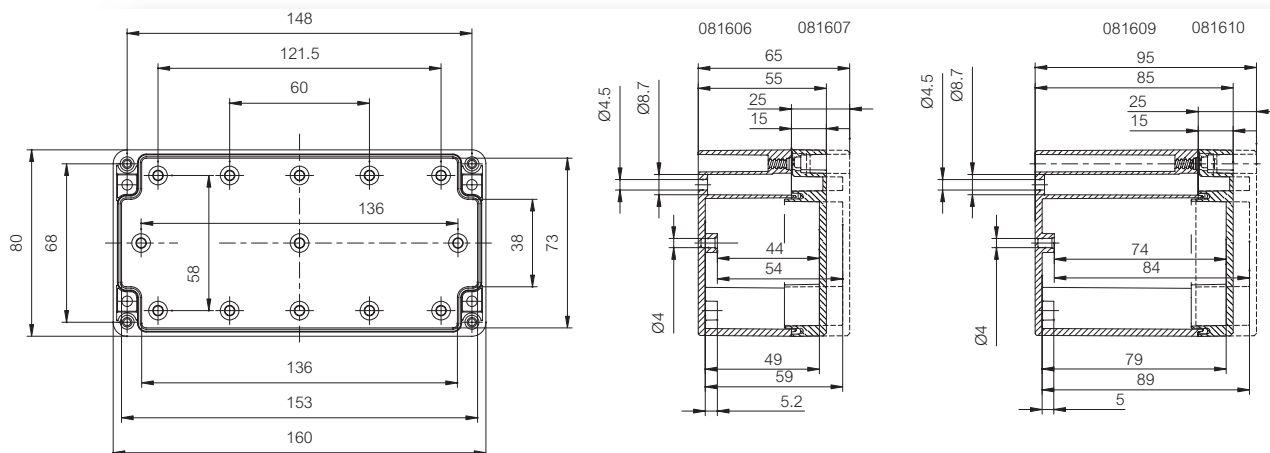
Including: Base with screws for mounting plate/DIN-rail, cover with PUR gasket and ferritic stainless steel cover screws.

## Enclosures

Order symbol	Code	Dimensions	Description
PC 081606	7032630	160 x 80 x 55	Enclosure, PC • Grey cover
PC 081607	7032620	160 x 80 x 65	Enclosure, PC • Grey cover
PC 081609	7032650	160 x 80 x 85	Enclosure, PC • Grey cover
PC 081610	7032640	160 x 80 x 95	Enclosure, PC • Grey cover
PCT 081606	7022631	160 x 80 x 55	Enclosure, PC • Transparent cover
PCT 081607	7022621	160 x 80 x 65	Enclosure, PC • Transparent cover
PCT 081609	7022651	160 x 80 x 85	Enclosure, PC • Transparent cover
PCT 081610	7022641	160 x 80 x 95	Enclosure, PC • Transparent cover
AB 081606	7083630	160 x 80 x 55	Enclosure, ABS • Grey cover
AB 081607	7083620	160 x 80 x 65	Enclosure, ABS • Grey cover
AB 081609	7083650	160 x 80 x 85	Enclosure, ABS • Grey cover
AB 081610	7083640	160 x 80 x 95	Enclosure, ABS • Grey cover

## Accessories

Order symbol	Code	Dimensions	Description
TM 0816	9512013	71 x 134	Mounting plate
TRM 0808	9820004	15 x 68	DIN-15 Mounting rail
TRM 0816	9820013	15 x 146	DIN-15 Mounting rail
TRH 1216	9822028	35 x 146	DIN-35 Mounting rail
TF 28037	7028337		Wall fastening lug set • incl. screws
TH A	9802001		Grey plastic hinges (2 pcs) • incl. mounting screws



# EURONORD PC/ABS 1212

122 x 120    PC: IP 66/IP 67, IK 07/IK 08  
ABS: IP 66/IP 67, IK 07

Including: Base with screws for mounting plate/DIN-rail, cover with PUR gasket and ferritic stainless steel cover screws.

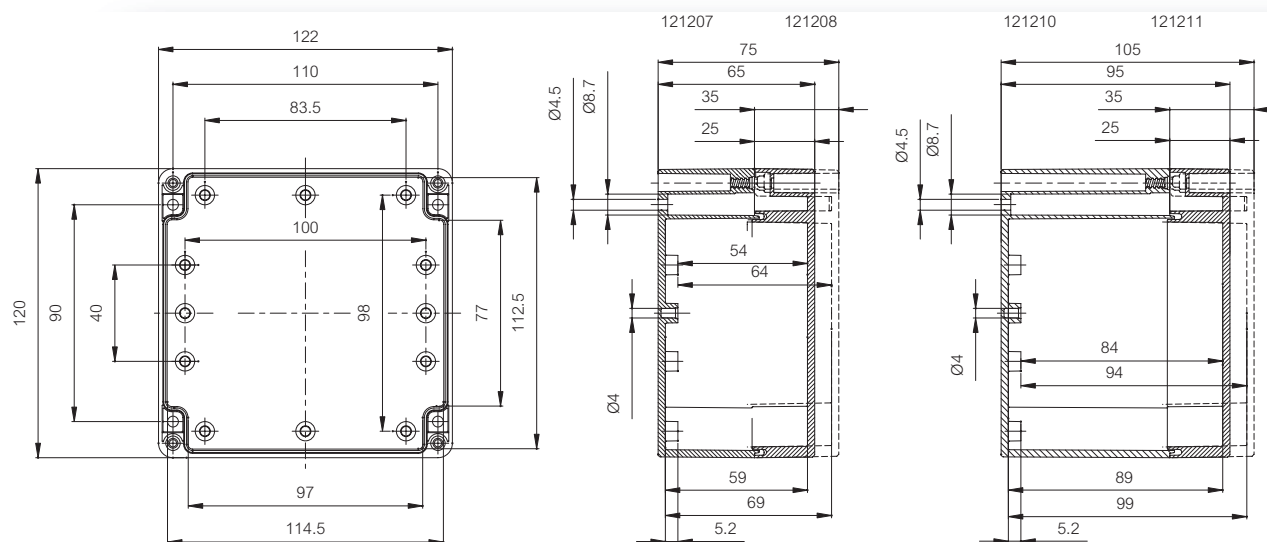


## Enclosures

Order symbol	Code	Dimensions	Description
PC 121207	7032660	122 x 120 x 65	Enclosure, PC • Grey cover
PC 121208	7032670	122 x 120 x 75	Enclosure, PC • Grey cover
PC 121210	7032680	122 x 120 x 95	Enclosure, PC • Grey cover
PC 121211	7032690	122 x 120 x 105	Enclosure, PC • Grey cover
PCT 121207	7022661	122 x 120 x 65	Enclosure, PC • Transparent cover
PCT 121208	7022671	122 x 120 x 75	Enclosure, PC • Transparent cover
PCT 121210	7022681	122 x 120 x 95	Enclosure, PC • Transparent cover
PCT 121211	7022691	122 x 120 x 105	Enclosure, PC • Transparent cover
AB 121207	7083660	122 x 120 x 65	Enclosure, ABS • Grey cover
AB 121208	7083670	122 x 120 x 75	Enclosure, ABS • Grey cover
AB 121210	7083680	122 x 120 x 95	Enclosure, ABS • Grey cover
AB 121211	7083690	122 x 120 x 105	Enclosure, ABS • Grey cover

## Accessories

Order symbol	Code	Dimensions	Description
TM 1212	9512014	96 x 111	Mounting plate
TRM 0812	9820009	15 x 106	DIN-15 Mounting rail
TRM 1212	9820008	15 x 110	DIN-15 Mounting rail
TRH 1212	9822002	35 x 110	DIN-35 Mounting rail
TF 28037	7028337		Wall fastening lug set • incl. screws
TH A	9802001		Grey plastic hinges (2 pcs) • incl. mounting screws





# EURONORD PC/ABS 1216

160 x 120 PC: IP 66/IP 67, IK 07/IK 08  
ABS: IP 66/IP 67, IK 07

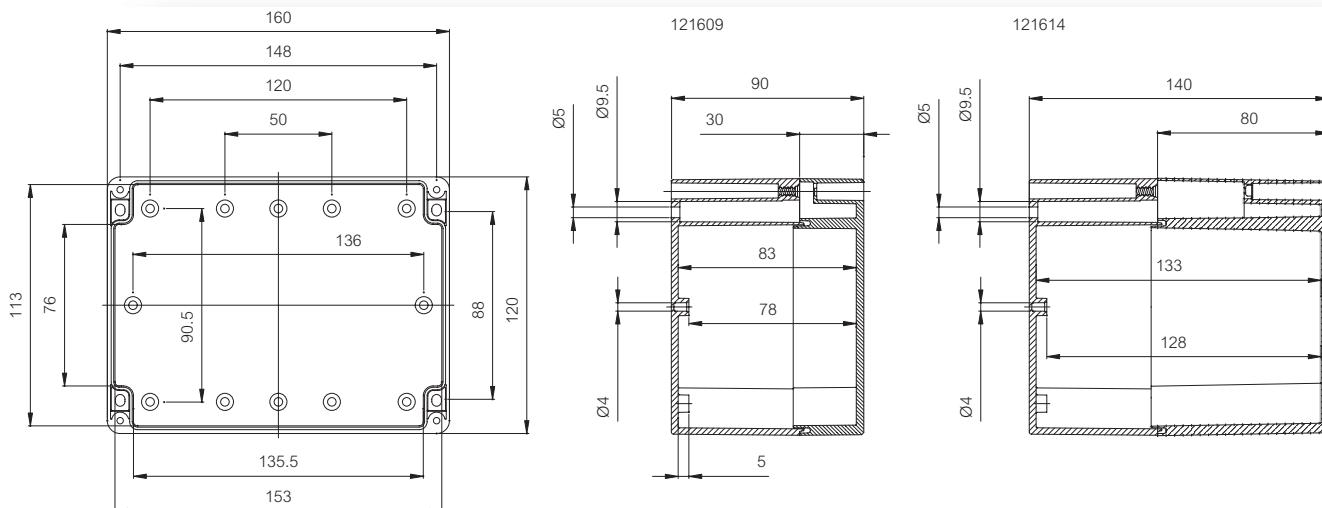
Including: Base with screws for mounting plate/DIN-rail, cover with PUR gasket and ferritic stainless steel cover screws.

## Enclosures

Order symbol	Code	Dimensions	Description
PC 121609	7032720	160 x 120 x 90	Enclosure, PC • Grey cover
PC 121614	7032730	160 x 120 x 140	Enclosure, PC • Grey cover
PCT 121609	7022721	160 x 120 x 90	Enclosure, PC • Transparent cover
PCT 121614	7022731	160 x 120 x 140	Enclosure, PC • Transparent cover
AB 121609	7083720	160 x 120 x 90	Enclosure, ABS • Grey cover
AB 121614	7083730	160 x 120 x 140	Enclosure, ABS • Grey cover

## Accessories

Order symbol	Code	Dimensions	Description
TM 1216	9512036	111 x 134	Mounting plate
TRM 0816	9820013	15 x 146	DIN-15 Mounting rail
MIV 10	5514082	35 x 100	DIN-35 Mounting rail
TRH 1216	9822028	35 x 146	DIN-35 Mounting rail
TF 28037	7028337		Wall fastening lug set • incl. screws
TH A	9802001		Grey plastic hinges (2 pcs) • incl. mounting screws



# EURONORD PC/ABS 1220

200 x 120 PC: IP 66/IP 67, IK 07/IK 08  
ABS: IP 66/IP 67, IK 07

Including: Base with screws for mounting plate/DIN-rail, cover with PUR gasket and ferritic stainless steel cover screws.

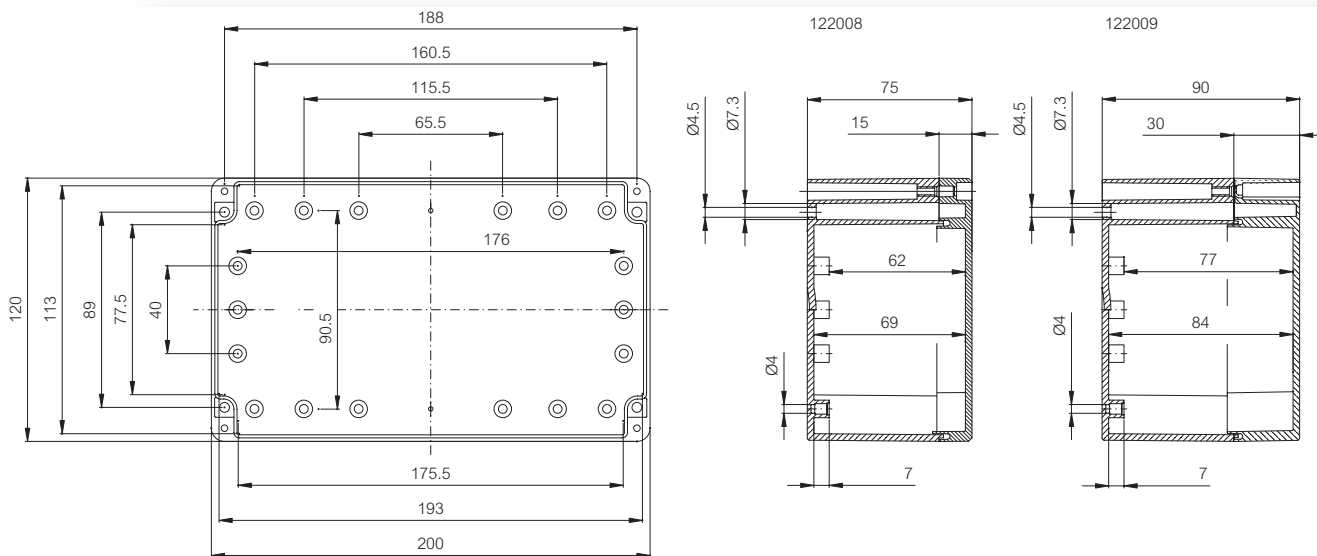


## Enclosures

Order symbol	Code	Dimensions	Description
PC 122008	7032760	200 x 120 x 75	Enclosure, PC • Grey cover
PC 122009	7032770	200 x 120 x 90	Enclosure, PC • Grey cover
PCT 122008	7022761	200 x 120 x 75	Enclosure, PC • Transparent cover
PCT 122009	7022771	200 x 120 x 90	Enclosure, PC • Transparent cover
AB 122008	7083760	200 x 120 x 75	Enclosure, ABS • Grey cover
AB 122009	7083770	200 x 120 x 90	Enclosure, ABS • Grey cover

## Accessories

Order symbol	Code	Dimensions	Description
TM 1220	9512015	111 x 174	Mounting plate
MIV 10	5514082	35 x 100	DIN-35 Mounting rail
TRH 1220	9822006	35 x 186	DIN-35 Mounting rail
TF 28037	7028337		Wall fastening lug set • incl. screws
TH A	9802001		Grey plastic hinges (2 pcs) • incl. mounting screws





# EURONORD PC/ABS 1224

244 x 124 PC: IP 66/IP 67, IK 07/IK 08  
ABS: IP 66/IP 67, IK 07

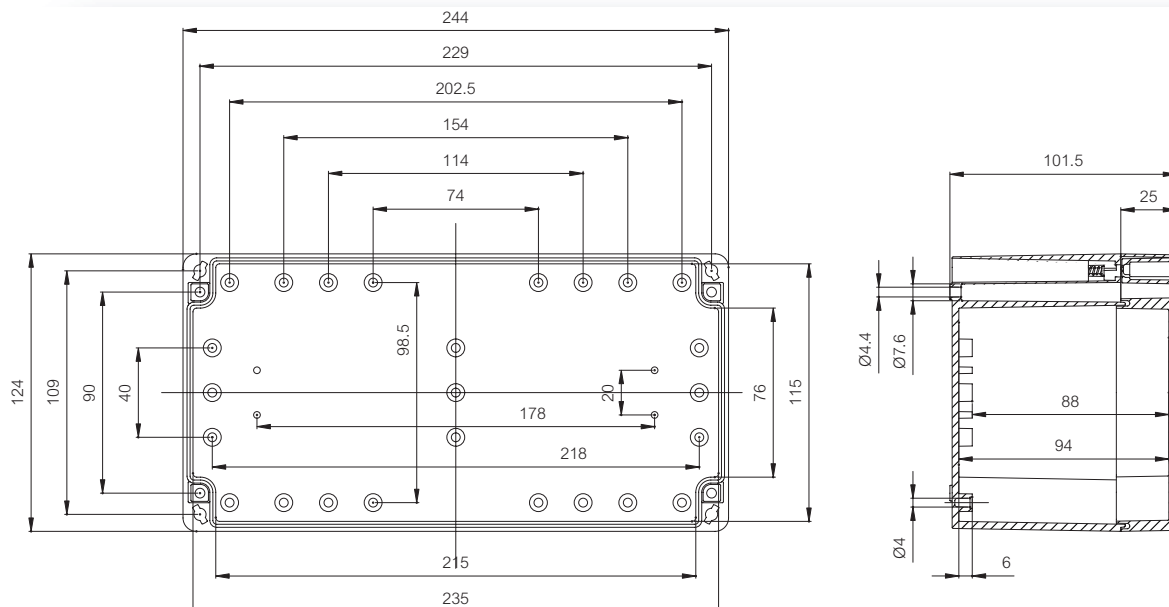
Including: Base with screws for mounting plate/DIN-rail, cover with PUR gasket and ferritic stainless steel cover screws. Q-versions: Base with screws for mounting plate/DIN-rail, cover with PUR gasket and quick-locking cover screws.

## Enclosures

Order symbol	Code	Dimensions	Description
PC 122410	7032780	244 x 124 x 102	Enclosure, PC • Grey cover
PCT 122410	7022781	244 x 124 x 102	Enclosure, PC • Transparent cover
PCQ 122410	7033781	244 x 124 x 102	Enclosure, PC, IP 65 • Grey cover (quick-locking)
PCTQ 122410	7022780	244 x 124 x 102	Enclosure, PC, IP 65 • Transparent cover (quick-locking)
AB 122410	7083780	244 x 124 x 102	Enclosure, ABS • Grey cover
ABQ 122410	7083781	244 x 124 x 102	Enclosure, ABS, IP 65 • Grey cover (quick-locking)

## Accessories

Order symbol	Code	Dimensions	Description
TM 1224	9512016	214 x 111	Mounting plate
TRM 0812	9820009	15 x 106	DIN-15 Mounting rail
MIN 20	6314578	15 x 225	DIN-15 Mounting rail
TRH 1212	9822002	35 x 110	DIN-35 Mounting rail
TRH 24	9822008	35 x 226	DIN-35 Mounting rail
TF 28037	7028337		Wall fastening lug set • incl. screws
TH A	9802001		Grey plastic hinges (2 pcs) • incl. mounting screws



# EURONORD PC/ABS 1520

201 x 151    PC: IP 66/IP 67, IK 07/IK 08  
ABS: IP 66/IP 67, IK 07



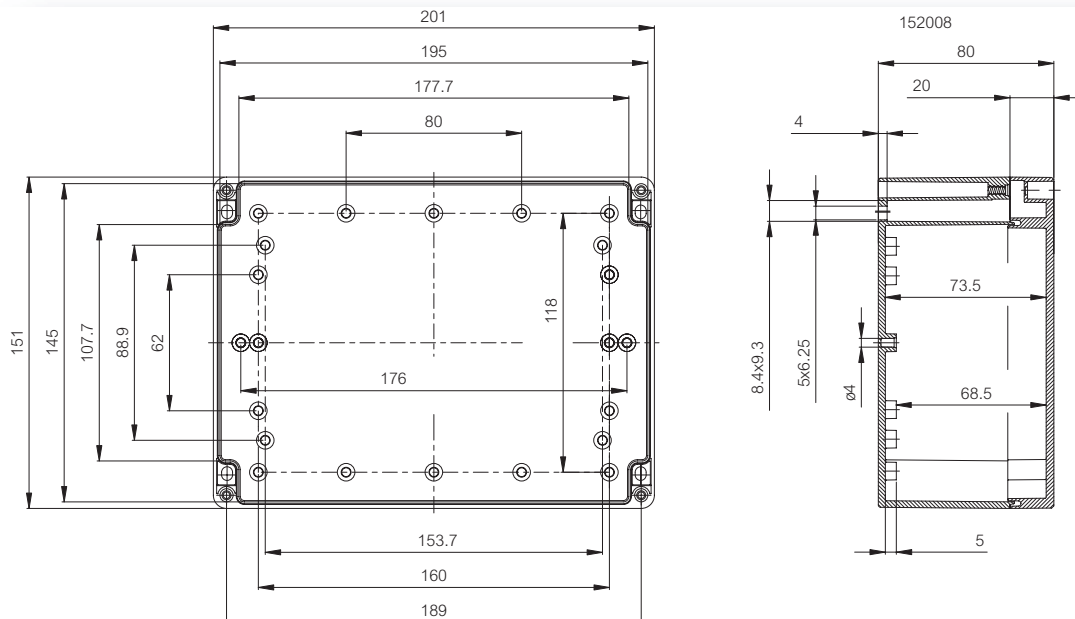
Including: Base with screws for mounting plate/DIN-rail, cover with PUR gasket and ferritic stainless steel cover screws.

## Enclosures

Order symbol	Code	Dimensions	Description
PC 152008	7032820	201 x 151 x 80	Enclosure, PC • Grey cover
PCT 152008	7022821	201 x 151 x 80	Enclosure, PC • Transparent cover
AB 152008	7083820	201 x 151 x 80	Enclosure, ABS • Grey cover

## Accessories

Order symbol	Code	Dimensions	Description
TM 1520	9512017	141 x 174	Mounting plate
TRH 1220	9822006	35 x 186	DIN-35 Mounting rail
TF 28037	7028337		Wall fastening lug set • incl. screws
TH A	9802001		Grey plastic hinges (2 pcs) • incl. mounting screws





# EURONORD PC/ABS 1534

340 x 150 PC: IP 66/IP 67, IK 07/IK 08  
ABS: IP 66/IP 67, IK 07

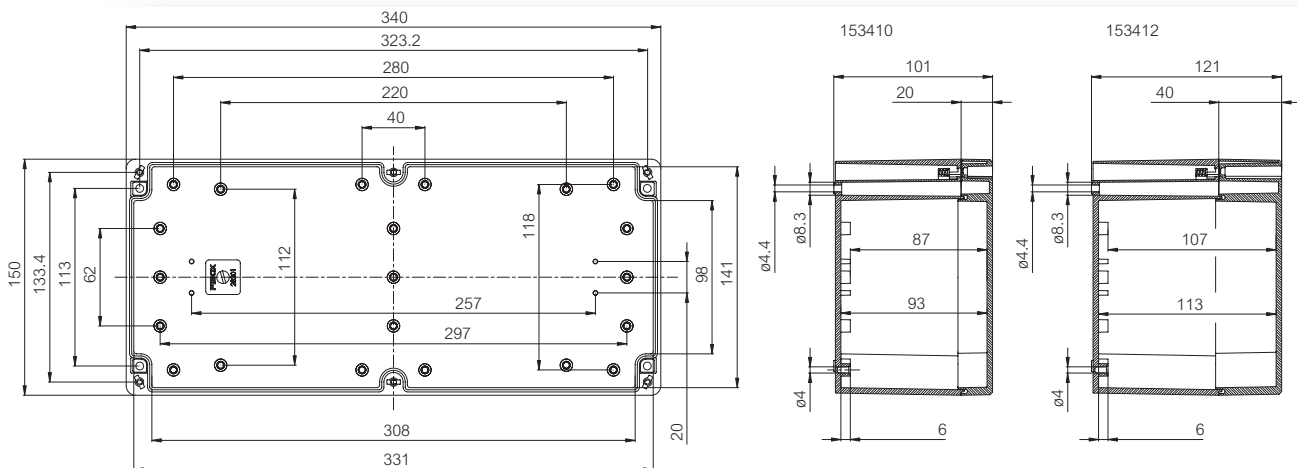
Including: Base with screws for mounting plate/DIN-rail, cover with PUR gasket and ferritic stainless steel cover screws. Q-versions: Base with screws for mounting plate/DIN-rail, cover with PUR gasket and quick-locking cover screws.

## Enclosures

Order symbol	Code	Dimensions	Description
PC 153410	7032700	340 x 150 x 101	Enclosure, PC • Grey cover
PC 153412	7032710	340 x 150 x 121	Enclosure, PC • Grey cover
PCT 153410	7022701	340 x 150 x 101	Enclosure, PC • Transparent cover
PCT 153412	7022711	340 x 150 x 121	Enclosure, PC • Transparent cover
PCQ 153410	7033701	340 x 150 x 101	Enclosure, PC, IP 65 • Grey cover (quick-locking)
PCQ 153412	7033711	340 x 150 x 121	Enclosure, PC, IP 65 • Grey cover (quick-locking)
PCTQ 153410	7022700	340 x 150 x 101	Enclosure, PC, IP 65 • Transparent cover (quick-locking)
PCTQ 153412	7022710	340 x 150 x 121	Enclosure, PC, IP 65 • Transparent cover (quick-locking)
AB 153410	7083700	340 x 150 x 101	Enclosure, ABS • Grey cover
AB 153412	7083710	340 x 150 x 121	Enclosure, ABS • Grey cover
ABQ 153410	7083701	340 x 150 x 101	Enclosure, ABS, IP 65 • Grey cover (quick-locking)
ABQ 153412	7083711	340 x 150 x 121	Enclosure, ABS, IP 65 • Grey cover (quick-locking)

## Accessories

Order symbol	Code	Dimensions	Description
TM 1534	9512021	303 x 136	Mounting plate
TRH 34	9822022	35 x 307	DIN-35 Mounting rail
TRH 15	9822021	35 x 122	DIN-35 Mounting rail
TF 28037	7028337		Wall fastening lug set • incl. screws
TH A	9802001		Grey plastic hinges (2 pcs) • incl. mounting screws





# EURONORD PC/ABS 1624

244 x 164 PC: IP 66/IP 67, IK 07/IK 08  
ABS: IP 66/IP 67, IK 07



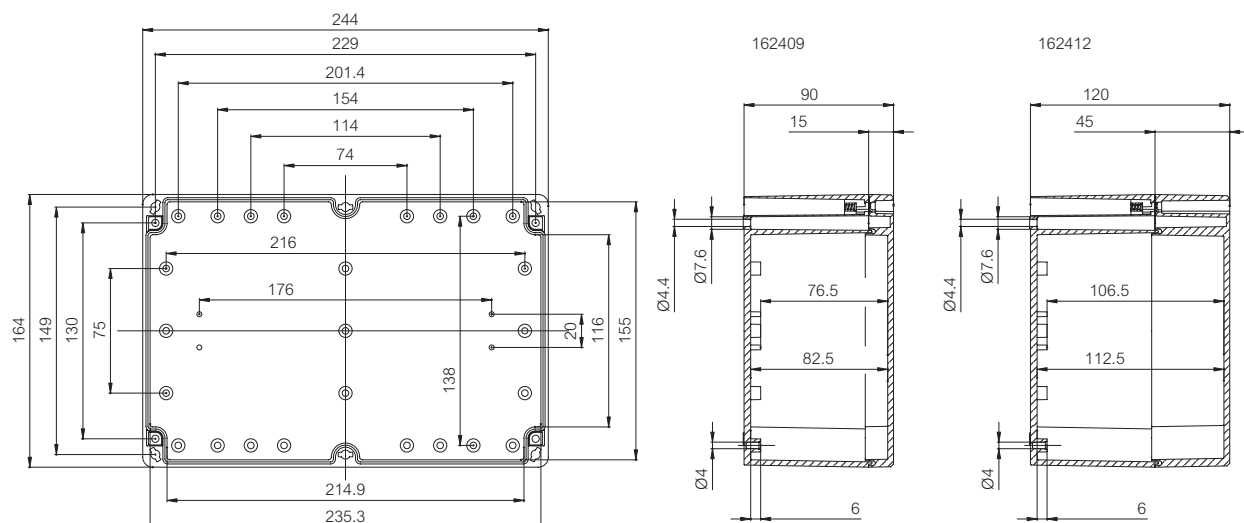
Including: Base with screws for mounting plate/DIN-rail, cover with PUR gasket and ferritic stainless steel cover screws. Q-versions: Base with screws for mounting plate/DIN-rail, cover with PUR gasket and quick-locking cover screws.

## Enclosures

Order symbol	Code	Dimensions	Description
PC 162409	7032810	244 x 164 x 90	Enclosure, PC • Grey cover
PC 162412	7032830	244 x 164 x 120	Enclosure, PC • Grey cover
PCT 162409	7022811	244 x 164 x 90	Enclosure, PC • Transparent cover
PCT 162412	7022831	244 x 164 x 120	Enclosure, PC • Transparent cover
PCQ 162409	7033811	244 x 164 x 90	Enclosure, PC, IP 65 • Grey cover (quick-locking)
PCQ 162412	7033831	244 x 164 x 120	Enclosure, PC, IP 65 • Grey cover (quick-locking)
PCTQ 162409	7022810	244 x 164 x 90	Enclosure, PC, IP 65 • Transparent cover (quick-locking)
PCTQ 162412	7022830	244 x 164 x 120	Enclosure, PC, IP 65 • Transparent cover (quick-locking)
AB 162409	7083810	244 x 164 x 90	Enclosure, ABS • Grey cover
AB 162412	7083830	244 x 164 x 120	Enclosure, ABS • Grey cover
ABQ 162409	7083811	244 x 164 x 90	Enclosure, ABS, IP 65 • Grey cover (quick-locking)
ABQ 162412	7083831	244 x 164 x 120	Enclosure, ABS, IP 65 • Grey cover (quick-locking)

## Accessories

Order symbol	Code	Dimensions	Description
TM 1624	9512022	212 x 151	Mounting plate
MIN 20	6314578	15 x 225	DIN-15 Mounting rail
TRH 24	9822008	35 x 226	DIN-35 Mounting rail
TF 28037	7028337		Wall fastening lug set • incl. screws
TH A	9802001		Grey plastic hinges (2 pcs) • incl. mounting screws





# EURONORD PC/ABS 1625

250 x 160 PC: IP 66/IP 67, IK 07/IK 08  
ABS: IP 66/IP 67, IK 07

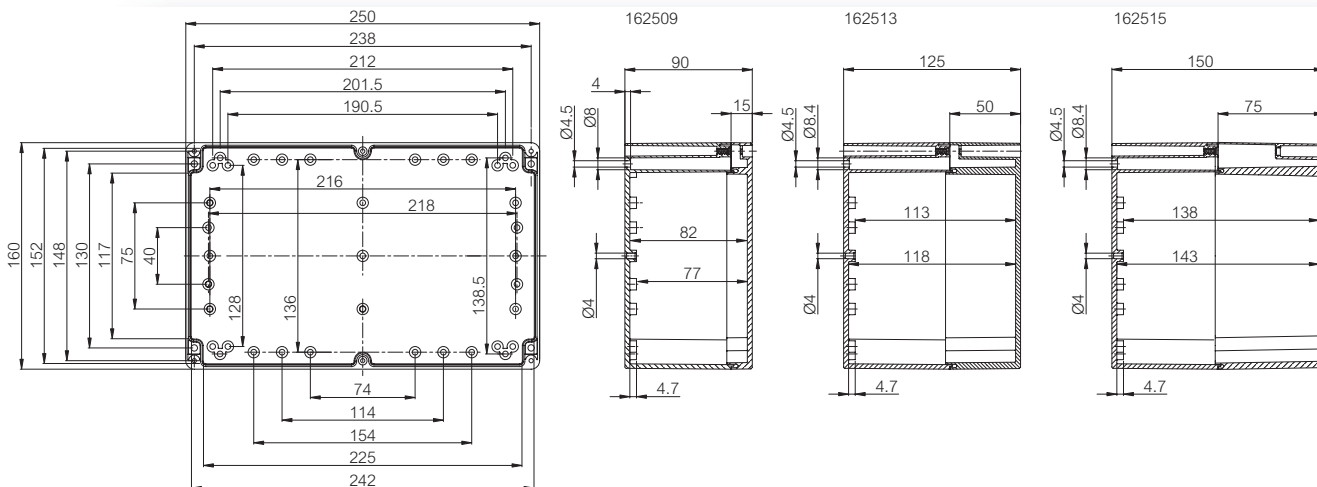
Including: Base with screws for mounting plate/DIN-rail, cover with PUR gasket and ferritic stainless steel cover screws.

## Enclosures

Order symbol	Code	Dimensions	Description
PC 162509	7032840	250 x 160 x 90	Enclosure, PC • Grey cover
PC 162513	7032860	250 x 160 x 125	Enclosure, PC • Grey cover
PC 162515	7032740	250 x 160 x 150	Enclosure, PC • Grey cover
PCT 162509	7022841	250 x 160 x 90	Enclosure, PC • Transparent cover
PCT 162513	7022861	250 x 160 x 125	Enclosure, PC • Transparent cover
PCT 162515	7022741	250 x 160 x 150	Enclosure, PC • Transparent cover
AB 162509	7083840	250 x 160 x 90	Enclosure, ABS • Grey cover
AB 162513	7083860	250 x 160 x 125	Enclosure, ABS • Grey cover
AB 162515	7083740	250 x 160 x 150	Enclosure, ABS • Grey cover

## Accessories

Order symbol	Code	Dimensions	Description
TM 1625	9512018	151 x 224	Mounting plate
TRM 0816	9820013	15 x 146	DIN-15 Mounting rail
TRH 1216	9822028	35 x 146	DIN-35 Mounting rail
TRH 24	9822008	35 x 226	DIN-35 Mounting rail
TF 28037	7028337		Wall fastening lug set • incl. screws
TH A	9802001		Grey plastic hinges (2 pcs) • incl. mounting screws



# EURONORD PC/ABS 1636

360 x 160 PC: IP 66/IP 67, IK 07/IK 08  
ABS: IP 66/IP 67, IK 07



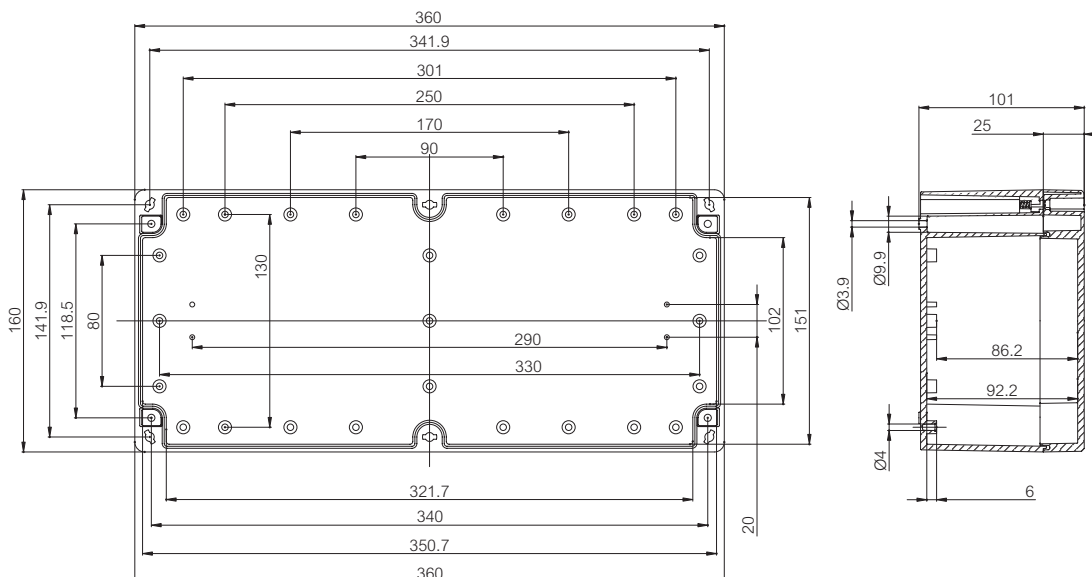
Including: Base with screws for mounting plate/DIN-rail, cover with PUR gasket and ferritic stainless steel cover screws. Q-versions: Base with screws for mounting plate/DIN-rail, cover with PUR gasket and quick-locking cover screws.

## Enclosures

Order symbol	Code	Dimensions	Description
PC 163610	7032750	360 x 160 x 101	Enclosure, PC • Grey cover
PCT 163610	7022851	360 x 160 x 101	Enclosure, PC • Transparent cover
PCQ 163610	7033751	360 x 160 x 101	Enclosure, PC, IP 65 • Grey cover (quick-locking)
PCTQ 163610	7022750	360 x 160 x 101	Enclosure, PC, IP 65 • Transparent cover (quick-locking)
AB 163610	7083750	360 x 160 x 101	Enclosure, ABS • Grey cover
ABQ 163610	7083751	360 x 160 x 101	Enclosure, ABS, IP 65 • Grey cover (quick-locking)

## Accessories

Order symbol	Code	Dimensions	Description
TM 1636	9512023	318 x 146	Mounting plate
ARM 0615	9820011	15 x 140	DIN-15 Mounting rail
DH-3	8524032	35 x 140	DIN-35 Mounting rail
TRH 2036	9822023	35 x 340	DIN-35 Mounting rail
TF 28037	7028337		Wall fastening lug set • incl. screws
TH A	9802001		Grey plastic hinges (2 pcs) • incl. mounting screws





# EURONORD PC/ABS 2036

360 x 200 PC: IP 66/IP 67, IK 07/IK 08  
ABS: IP 66/IP 67, IK 07

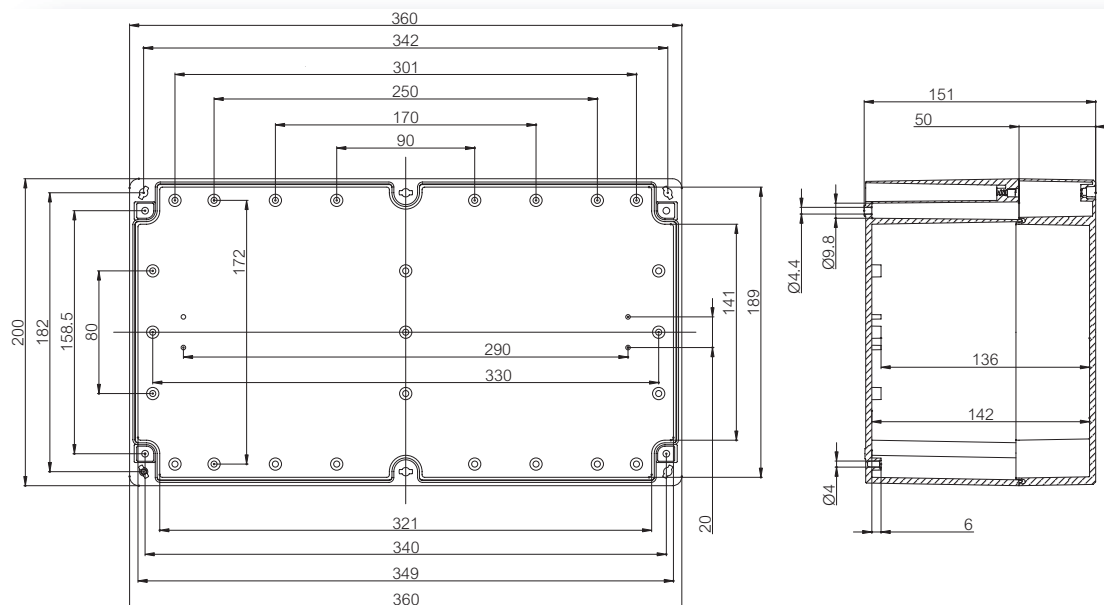
Including: Base with screws for mounting plate/DIN-rail, cover with PUR gasket and ferritic stainless steel cover screws. Q-versions: Base with screws for mounting plate/DIN-rail, cover with PUR gasket and quick-locking cover screws.

## Enclosures

Order symbol	Code	Dimensions	Description
PC 203615	7032790	360 x 200 x 151	Enclosure, PC • Grey cover
PCT 203615	7022791	360 x 200 x 151	Enclosure, PC • Transparent cover
PCQ 203615	7033791	360 x 200 x 151	Enclosure, PC, IP 65 • Grey cover (quick-locking)
PCTQ 203615	7022790	360 x 200 x 151	Enclosure, PC, IP 65 • Transparent cover (quick-locking)
AB 203615	7083790	360 x 200 x 151	Enclosure, ABS • Grey cover
ABQ 203615	7083791	360 x 200 x 151	Enclosure, ABS, IP 65 • Grey cover (quick-locking)

## Accessories

Order symbol	Code	Dimensions	Description
TM 2036	9512024	318 x 186	Mounting plate
TRH 2036	9822023	35 x 340	DIN-35 Mounting rail
TF 28037	7028337		Wall fastening lug set • incl. screws
TH A	9802001		Grey plastic hinges (2 pcs) • incl. mounting screws



# EURONORD PC/ABS 2330

300 x 230 PC: IP 66/IP 67, IK 07/IK 08  
ABS: IP 66/IP 67, IK 07



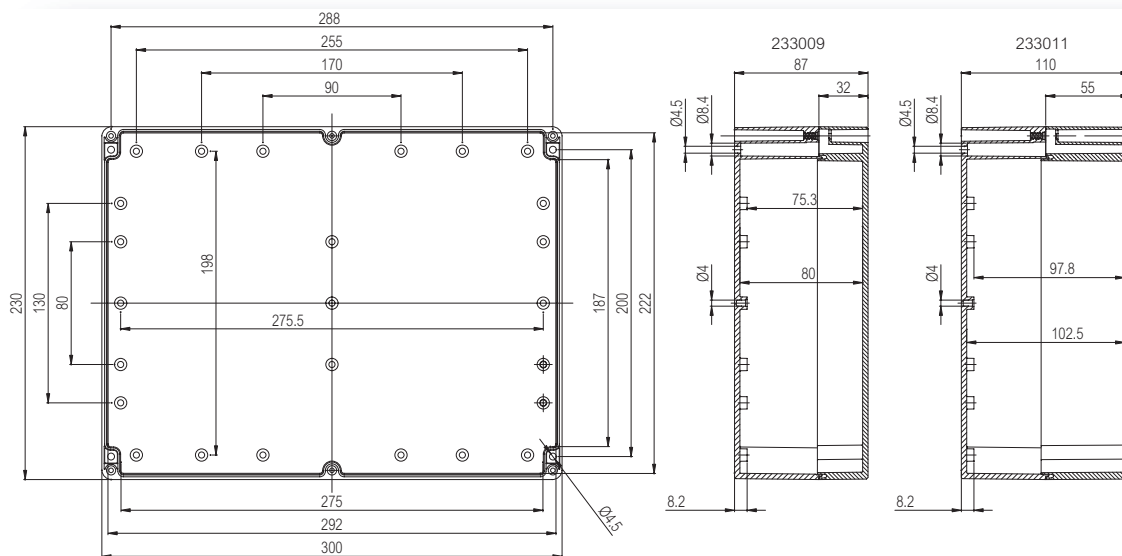
Including: Base with screws for mounting plate/DIN-rail, cover with PUR gasket and ferritic stainless steel cover screws.

## Enclosures

Order symbol	Code	Dimensions	Description
PC 233009	7032870	300 x 230 x 87	Enclosure, PC • Grey cover
PC 233011	7032890	300 x 230 x 110	Enclosure, PC • Grey cover
PCT 233009	7022871	300 x 230 x 87	Enclosure, PC • Transparent cover
PCT 233011	7022891	300 x 230 x 110	Enclosure, PC • Transparent cover
AB 233009	7083870	300 x 230 x 87	Enclosure, ABS • Grey cover
AB 233011	7083890	300 x 230 x 110	Enclosure, ABS • Grey cover

## Accessories

Order symbol	Code	Dimensions	Description
TM 2330	9512019	221 x 274	Mounting plate
TRM 0816	9820013	15 x 146	DIN-15 Mounting rail
TRH 1216	9822028	35 x 146	DIN-35 Mounting rail
TRH 2330	9822013	35 x 285	DIN-35 Mounting rail
TF 28037	7028337		Wall fastening lug set • incl. screws
TH A	9802001		Grey plastic hinges (2 pcs) • incl. mounting screws





# EURONORD ABS 3640

400 x 360

ABS: IP 66/IP 67, IK 07

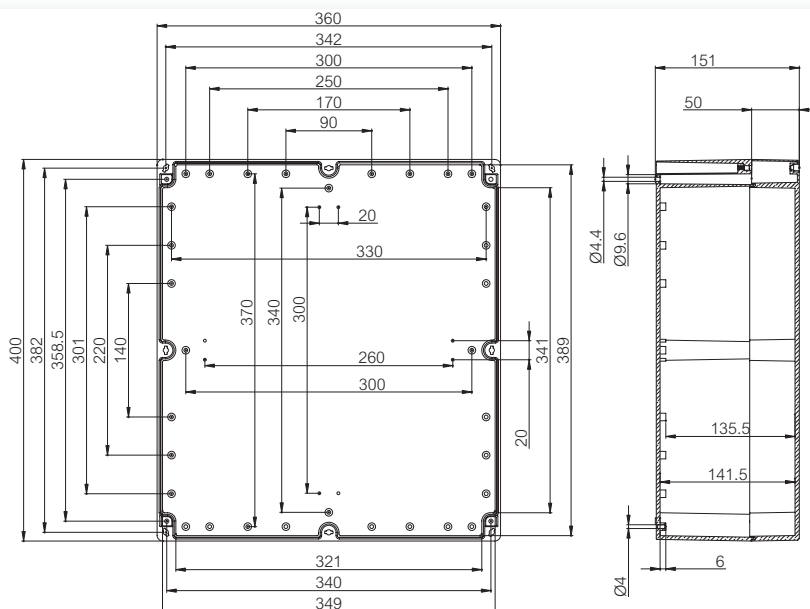
Including: Base with screws for mounting plate/DIN-rail, cover with PUR gasket and ferritic stainless steel cover screws. Q-versions: Base with screws for mounting plate/DIN-rail, cover with PUR gasket and quick-locking cover screws.

## Enclosures

Order symbol	Code	Dimensions	Description
AB 364015	7083880	400 x 360 x 151	Enclosure, ABS ▪ Grey cover
ABQ 364015	7083881	400 x 360 x 151	Enclosure, ABS, IP 65 ▪ Grey cover (quick-locking)

## Accessories

Order symbol	Code	Dimensions	Description
TM 3640	9512025	383 x 315	Mounting plate
TRH 40	9822024	35 x 380	DIN-35 Mounting rail
TF 28037	7028337		Wall fastening lug set ▪ incl. screws
TH A	9802001		Grey plastic hinges (2 pcs) ▪ incl. mounting screws



## PC/ABS ACCESSORIES

Order symbol      Code      Description

### Mounting plates (Galvanized steel, sheet thickness 1,5 mm)

TM 0505	9512009	26 x 44
TM 0507	9512010	26 x 57
TM 0808	9512011	56 x 71
TM 0812	9512012	71 x 94
TM 0816	9512013	71 x 134
TM 1212	9512014	96 x 111
TM 1216	9512036	111 x 134
TM 1220	9512015	111 x 174
TM 1224	9512016	214 x 111
TM 1520	9512017	141 x 174
TM 1534	9512021	303 x 136
TM 1624	9512022	212 x 151
TM 1625	9512018	151 x 224
TM 1636	9512023	318 x 146
TM 2036	9512024	318 x 186
TM 2330	9512019	221 x 274
TM 3640	9512025	383 x 315

### DIN-15 Mounting rails (Galvanized steel, rail height 5,0 mm)

TRM 0507	9820001	15 x 48
TRM 0808	9820004	15 x 68
TRM 0812	9820009	15 x 106
TRM 1212	9820008	15 x 110
ARM 0615	9820011	15 x 140
TRM 0816	9820013	15 x 146
MIN 20	6314578	15 x 225

### DIN-35 Mounting rails (Galvanized steel, rail height 7,5 mm)

MIV 10	5514082	35 x 100
ARH 12	9822001	35 x 105
TRH 1212	9822002	35 x 110
TRH 15	9822021	35 x 122
DH-3	8524032	35 x 140
TRH 1216	9822028	35 x 146
TRH 1220	9822006	35 x 186
TRH 1520	9822020	35 x 170
TRH 24	9822008	35 x 226
TRH 2330	9822013	35 x 285
TRH 34	9822022	35 x 307
TRH 2036	9822023	35 x 340
TRH 40	9822024	35 x 380

### Hinges and wall mounting

TH A	9802001	Grey plastic hinges (2 pcs) • incl. mounting screws
TF 28037	7028337	Wall fastening lug set • incl. screws

### Cover screws

MR 28005EU	7028005	Cover screw
MRS 38036	7038036	Cover screw set • 2xMR 28005EU+2xMR 28036
MRS 38005	7038005	Cover screw set • 4xMR 28005EU+4xMR 28036
MRS 38215Q	7038215	4 x Short QuickLock screws
MRS 38216Q	7038216	4 x Long QuickLock screws
MRS 38217	7038217	4 x Long threaded screws

### Mounting screws and other accessories

MR 28036EU	7028036	Mounting screw
MRS 48036	7048036	4 x mounting screws
MRS 28084 SET	7700101	Brass insert set for PC/ABS
MB 28018	7028018	Decoration plug • for PC/ABS enclosures
SB 28088	7028088	Sealing bush



## EURONORD PC/ABS technical information

Property	Polycarbonate (PC)	ABS
Ingress Protection (EN 60529)	IP 66/IP 67 IP 65 quicklock	IP 66/IP 67 IP 65 quicklock
Impact Resistance (EN 62262)	IK 07 (side surface) IK 08 (front surface)	IK 07
Temperature Range Celsius (short term) Fahrenheit	-40° . . 120°C -40° . . 250°F	-40° . . 80°C -40° . . 175°F
Temperature Range Celsius (continuous) Fahrenheit	-40° . . 80°C -40° . . 175°F	-40° . . 60°C -40° . . 140°F
Electrical Insulation	Totally insulated ☐	Totally insulated ☐
Light Grey Parts Colour	RAL 7035 Industry Grey	RAL 7035 Industry Grey
Transparent Clear PC Cover	Clear transparent	Clear transparent
Cover Screws	Ferritic Stainless Steel	Ferritic Stainless Steel
Cover Screws (quicklock)	Zinc Die-Cast	Zinc Die-Cast
Gasket	PUR	PUR
Enclosure Flammability Rating	UL 94-5V	UL 94HB
Glow Wire Test (IEC 695-2-1) Self-extinguishing (PC)	960°C	650°C
Non-toxicity	Halogen Free	Halogen Free
UV resistance	UL 508 720 hours in "Weather-ometer"	
Chemical Resistance *	Good	Good

### Confirmity to standards

**USA** Enclosures for Electrical Equipment  
PC(all)+PCQ 071004: UL Type 1, 4, 4X, 12 or 13; UL File E75645 Vol 1 Sec 6; UL 746C-5VA flame test (UL 50/508)  
PCQ: NEMA 1, 3, 3S, 12 or 13  
ABS: NEMA 1, 4, 4X, 12 or 13  
ABSQ: NEMA 1, 3, 3S, 12 or 13

**Canada** Industrial Control Equipment  
Enclosures for Electrical Equipment/ULc

**Europe** Empty enclosures for low-voltage switchgear and controlgear assemblies EN 62208:2003 (50298:1998)

**Europe** Safety of Information Technology Equipment  
EN 60950

RoHS directive 2002/95/EC

**Russia** GostR - Gost Russian certificate of conformity

Data subject to change without notice.

\*Consult separate raw material data for more detailed information



# EURONORD AL 0505

50 x 45

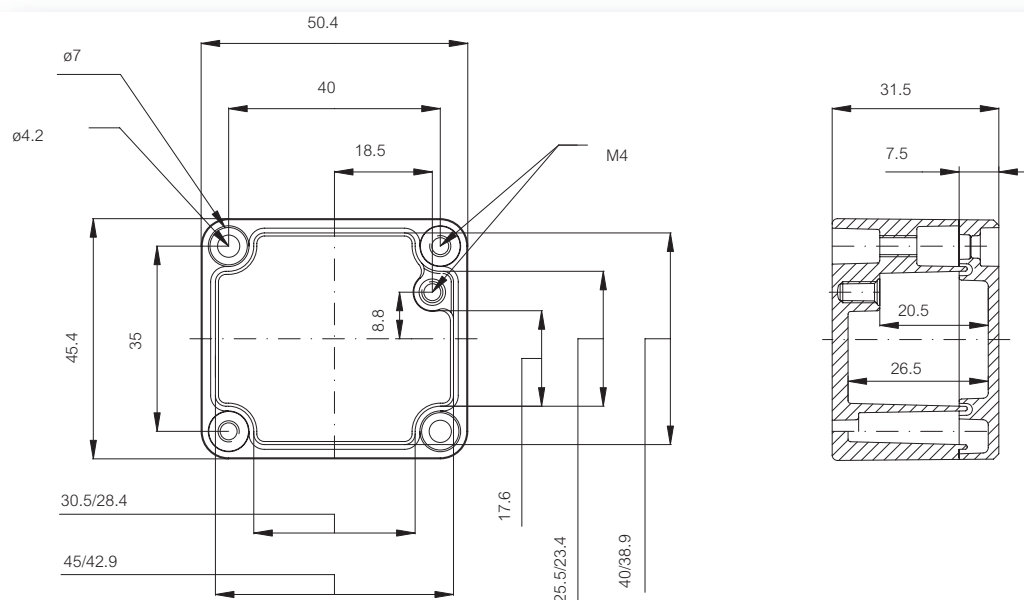
AL: IP 66/IP 67, IK 08



Including: Base with screws for mounting plate/DIN-rail, cover with PUR gasket and ferritic stainless steel cover screws.

## Enclosures

Order symbol	Code	Dimensions	Description
AL 050503	7011020	50 x 45 x 32	Enclosure • Aluminium





# EURONORD AL 0606

66 x 60

AL: IP 66/IP 67, IK 08

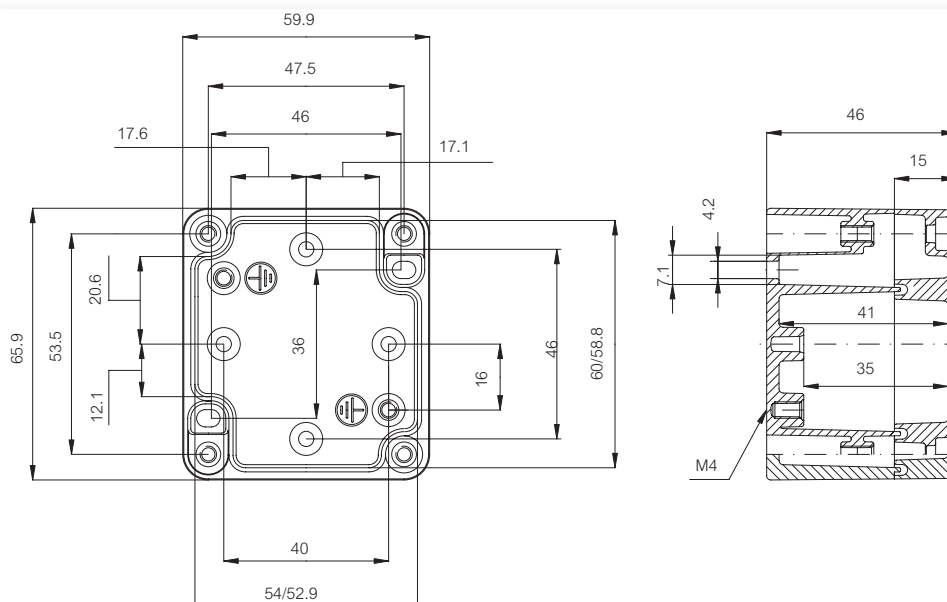
Including: Base with screws for mounting plate/DIN-rail, cover with PUR gasket and ferritic stainless steel cover screws.

## Enclosures

Order symbol	Code	Dimensions	Description
AL 060605	7011060	66 x 60 x 46	Enclosure ▪ Aluminium

## Accessories

Order symbol	Code	Dimensions	Description
TRM 0507	9820001	15 x 48	DIN-15 Mounting rail
MIV 5	5514081	35 x 50	DIN-35 Mounting rail
MR 75003	7075003		Selftapping taptite screw M3
MRS 28540	7028540	11 x 42	Wall fastening lug (2 pcs) ▪ incl. screws



# EURONORD AL 0610

100 x 66

AL: IP 66/IP 67, IK 08



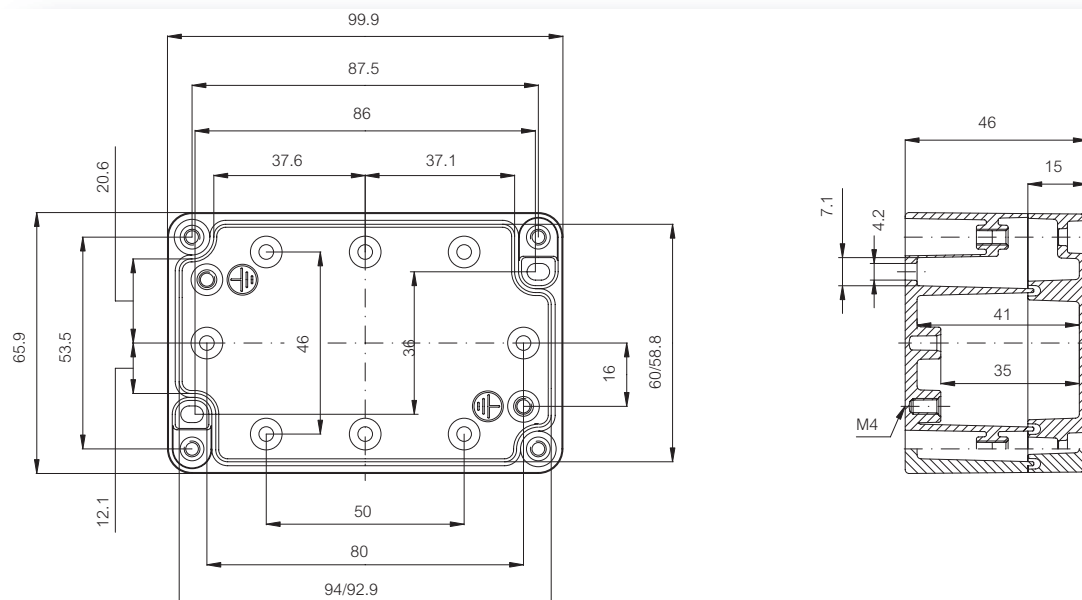
Including: Base with screws for mounting plate/DIN-rail, cover with PUR gasket and ferritic stainless steel cover screws.

## Enclosures

Order symbol	Code	Dimensions	Description
AL 061005	7011080	100 x 66 x 46	Enclosure • Aluminium

## Accessories

Order symbol	Code	Dimensions	Description
ARM 0610	9820005	15 x 88	DIN-15 Mounting rail
MR 75003	7075003		Selftapping taptite screw M3
MRS 28540	7028540	11 x 42	Wall fastening lug (2 pcs) • incl. screws





# EURONORD AL 0615

152 x 66

AL: IP 66/IP 67, IK 08

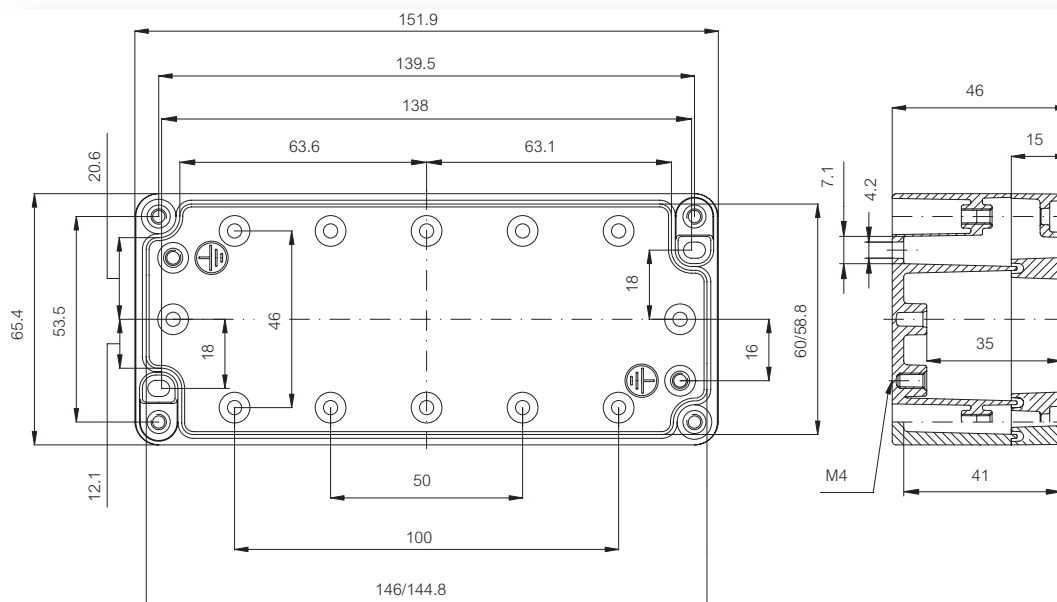
Including: Base with screws for mounting plate/DIN-rail, cover with PUR gasket and ferritic stainless steel cover screws.

## Enclosures

Order symbol	Code	Dimensions	Description
AL 061505	7011100	152 x 66 x 46	Enclosure ▪ Aluminium

## Accessories

Order symbol	Code	Dimensions	Description
ARM 0615	9820011	15 x 140	DIN-15 Mounting rail
ARH 16	9822003	35 x 140	DIN-35 Mounting rail
MR 75003	7075003		Selftapping taptite screw M3
MRS 28540	7028540	11 x 42	Wall fastening lug (2 pcs) ▪ incl. screws



# EURONORD AL 0808

82 x 77

AL: IP 66/IP 67, IK 08



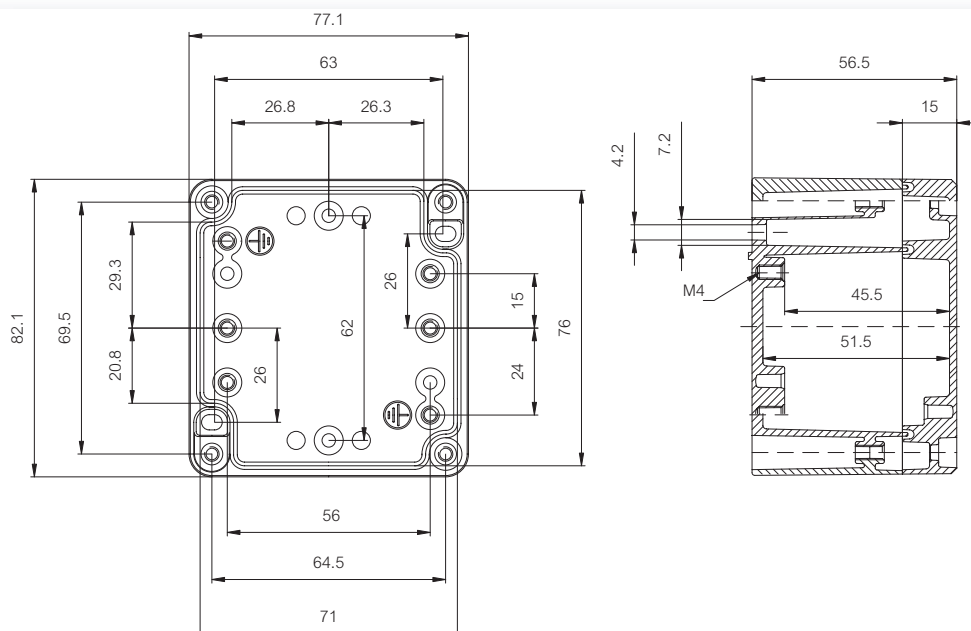
Including: Base with screws for mounting plate/DIN-rail, cover with PUR gasket and ferritic stainless steel cover screws.

## Enclosures

Order symbol	Code	Dimensions	Description
AL 080806	7011130	82 x 77 x 57	Enclosure • Aluminium

## Accessories

Order symbol	Code	Dimensions	Description
AM 0808	9823015	69 x 64	Mounting plate
ARM 0808	9820002	15 x 65	DIN-15 Mounting rail
TRM 0808	9820004	15 x 68	DIN-15 Mounting rail
MR 75003	7075003		Selftapping tapite screw M3
MRS 28540	7028540	11 x 42	Wall fastening lug (2 pcs) • incl. screws





# EURONORD AL 0813

127 x 81

AL: IP 66/IP 67, IK 08

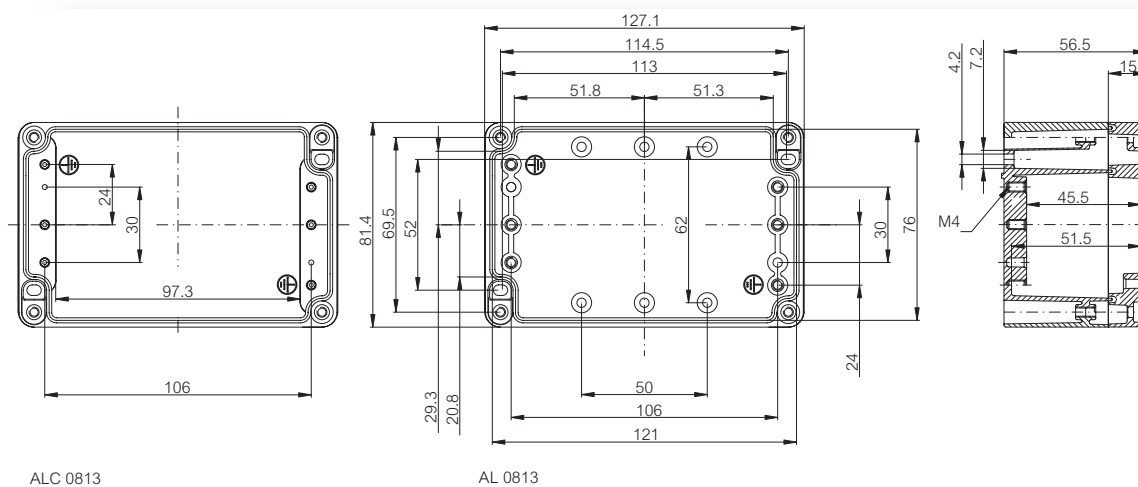
Including: Base with screws for mounting plate/DIN-rail, cover with PUR gasket and ferritic stainless steel cover screws.

## Enclosures

Order symbol	Code	Dimensions	Description
AL 081306	7011150	127 x 81 x 57	Enclosure • Aluminium
ALC 081306	7021150	127 x 81 x 57	Enclosure • Aluminium "CLASSIC"

## Accessories

Order symbol	Code	Dimensions	Description
AM 0813	9511043	69 x 114	Mounting plate
ARM 0813	9820010	15 x 115	DIN-15 Mounting rail
MR 75003	7075003		Selftapping taptite screw M3
MRS 28540	7028540	11 x 42	Wall fastening lug (2 pcs) • incl. screws



ALC 0813

AL 0813

# EURONORD AL 0818

177 x 81

AL: IP 66/IP 67, IK 08



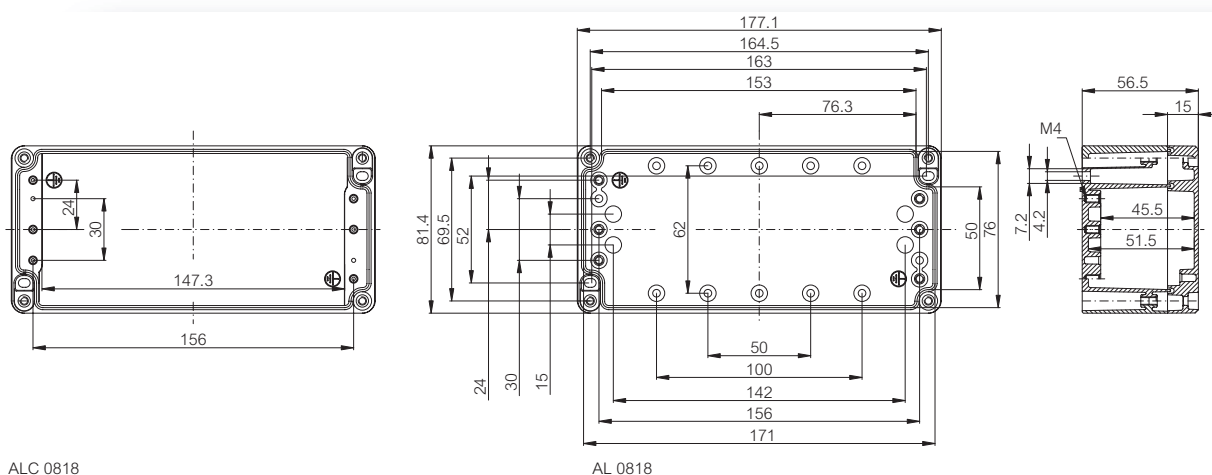
Including: Base with screws for mounting plate/DIN-rail, cover with PUR gasket and ferritic stainless steel cover screws.

## Enclosures

Order symbol	Code	Dimensions	Description
AL 081806	7011170	177 x 81 x 57	Enclosure • Aluminium
ALC 081806	7021170	177 x 81 x 57	Enclosure • Aluminium "CLASSIC"

## Accessories

Order symbol	Code	Dimensions	Description
AM 0818	9823017	69 x 164	Mounting plate
ARM 0818	9820014	15 x 165	DIN-15 Mounting rail
EKV 12	3770647	35 x 160	DIN-35 Mounting rail
MR 75003	7075003		Selftapping taptite screw M3
MRS 28540	7028540	11 x 42	Wall fastening lug (2 pcs) • incl. screws





# EURONORD AL 0825

252 x 81

AL: IP 66/IP 67, IK 08

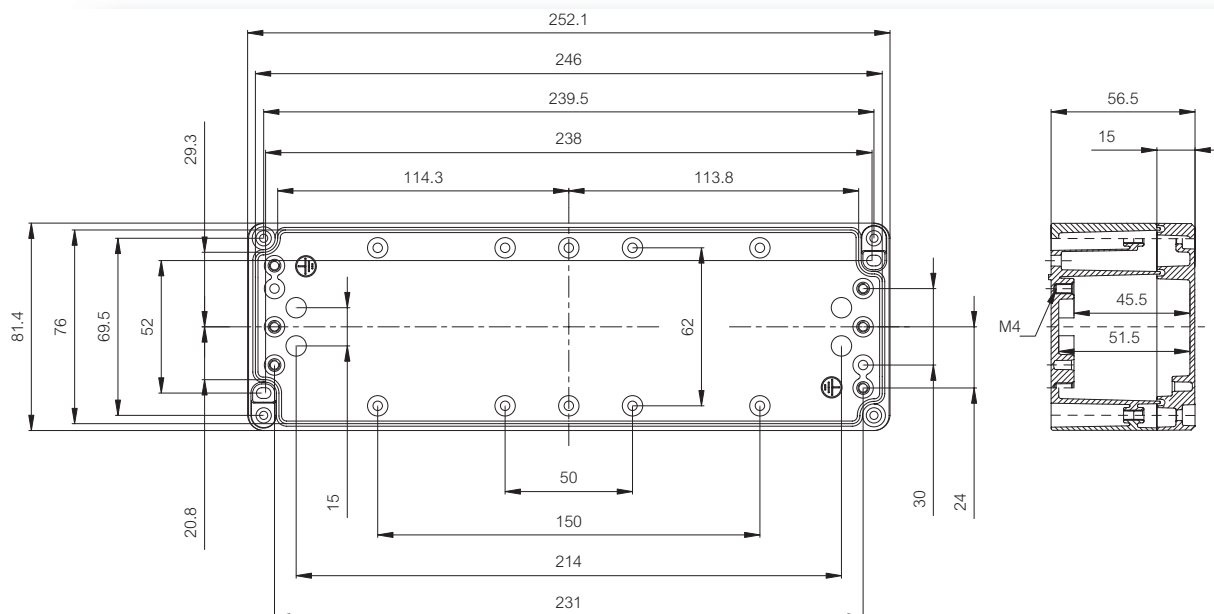
Including: Base with screws for mounting plate/DIN-rail, cover with PUR gasket and ferritic stainless steel cover screws.

## Enclosures

Order symbol	Code	Dimensions	Description
AL 082506	7011190	252 x 81 x 57	Enclosure • Aluminium

## Accessories

Order symbol	Code	Dimensions	Description
AM 0808	9823015	69 x 64	Mounting plate
AM 0813	9511043	69 x 114	Mounting plate
AM 0818	9823017	69 x 164	Mounting plate
AM 0825	9511007	69 x 240	Mounting plate
ARM 0808	9820002	15 x 65	DIN-15 Mounting rail
ARM 0825	9820019	15 x 240	DIN-15 Mounting rail
ARH 26	9822011	35 x 240	DIN-35 Mounting rail
MR 75003	7075003		Selftapping taptite screw M3
MRS 28540	7028540	11 x 42	Wall fastening lug (2 pcs) • incl. screws





# EURONORD AL 1212

125 x 124

AL: IP 66/IP 67, IK 08



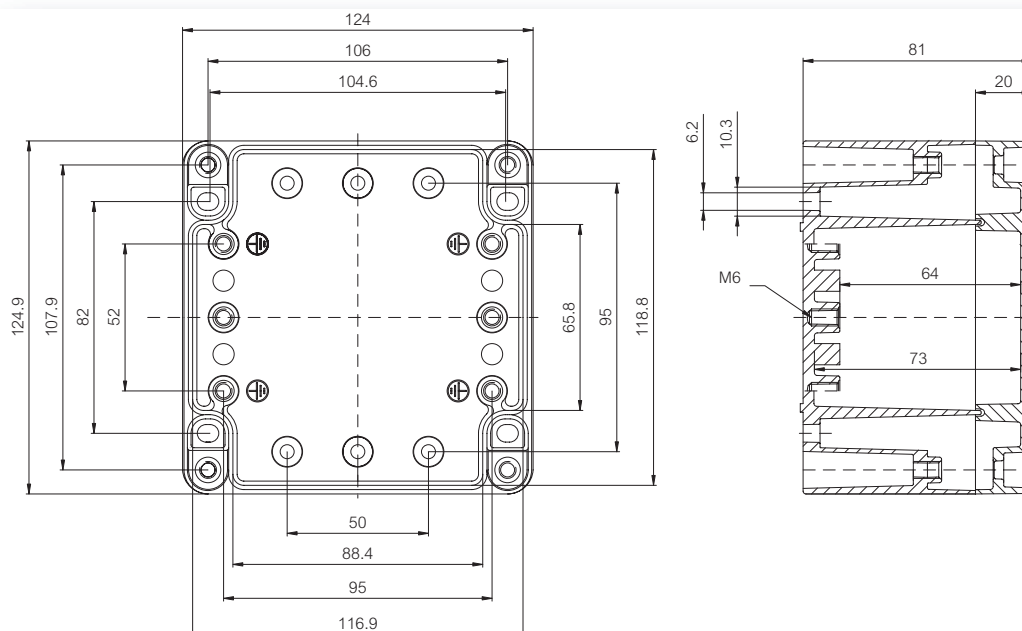
Including: Base with screws for mounting plate/DIN-rail, cover with PUR gasket and ferritic stainless steel cover screws.

## Enclosures

Order symbol	Code	Dimensions	Description
AL 121208	7011210	125 x 124 x 81	Enclosure • Aluminium

## Accessories

Order symbol	Code	Dimensions	Description
AM 1212	9511150	107 x 110	Mounting plate
ARH 12	9822001	35 x 105	DIN-35 Mounting rail
MR 75005	7075005		Selftapping tapite screw M5
MRS 28541	7028541	15 x 50	Wall fastening lug (2 pcs) • incl. screws
PH A & AH A/B	9801047		Hinge set





# EURONORD AL 1222

222 x 125

AL: IP 66/IP 67, IK 08

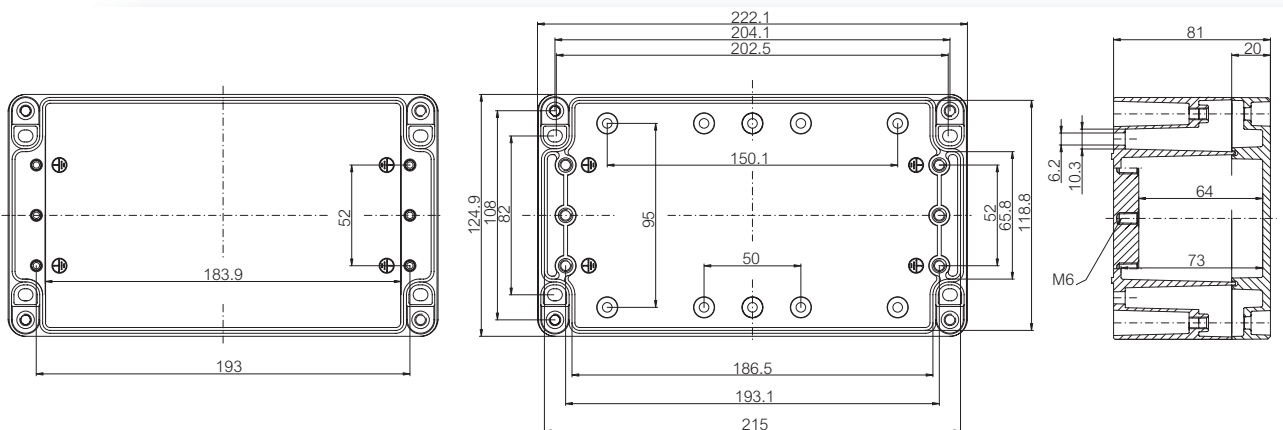
Including: Base with screws for mounting plate/DIN-rail, cover with PUR gasket and ferritic stainless steel cover screws.

## Enclosures

Order symbol	Code	Dimensions	Description
AL 122208	7011230	222 x 125 x 81	Enclosure ▪ Aluminium
ALC 122208	7021230	222 x 125 x 81	Enclosure ▪ Aluminium "CLASSIC"

## Accessories

Order symbol	Code	Dimensions	Description
AM 1222	9511095	107 x 207	Mounting plate
ARH 22	9822007	35 x 203	DIN-35 Mounting rail
MR 75005	7075005		Selftapping taptite screw M5
MRS 28541	7028541	15 x 50	Wall fastening lug (2 pcs) ▪ incl. screws
PH A & AH A/B	9801047		Hinge set



ALC 1222

AL 1222

# EURONORD AL 1236

362 x 125

AL: IP 66/IP 67, IK 08



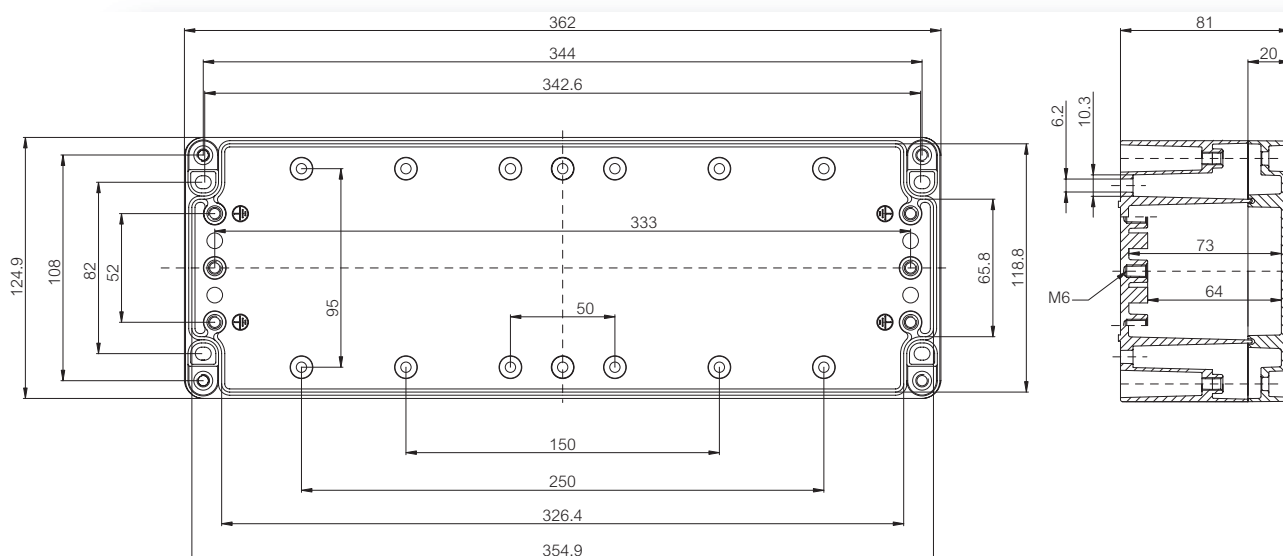
Including: Base with screws for mounting plate/DIN-rail, cover with PUR gasket and ferritic stainless steel cover screws.

## Enclosures

Order symbol	Code	Dimensions	Description
AL 123608	7011250	362 x 125 x 81	Enclosure • Aluminium

## Accessories

Order symbol	Code	Dimensions	Description
AM 1212	9511150	107 x 110	Mounting plate
AM 1222	9511095	107 x 207	Mounting plate
AM 1236	9511174	107 x 347	Mounting plate
ARH 12	9822001	35 x 105	DIN-35 Mounting rail
ARH 36	9822015	35 x 343	DIN-35 Mounting rail
MR 75005	7075005		Selftapping taptite screw M5
MRS 28541	7028541	15 x 50	Wall fastening lug (2 pcs) • incl. screws
PH A & AH A/B	9801047		Hinge set





# EURONORD AL 1616

163 x 162

AL: IP 66/IP 67, IK 08

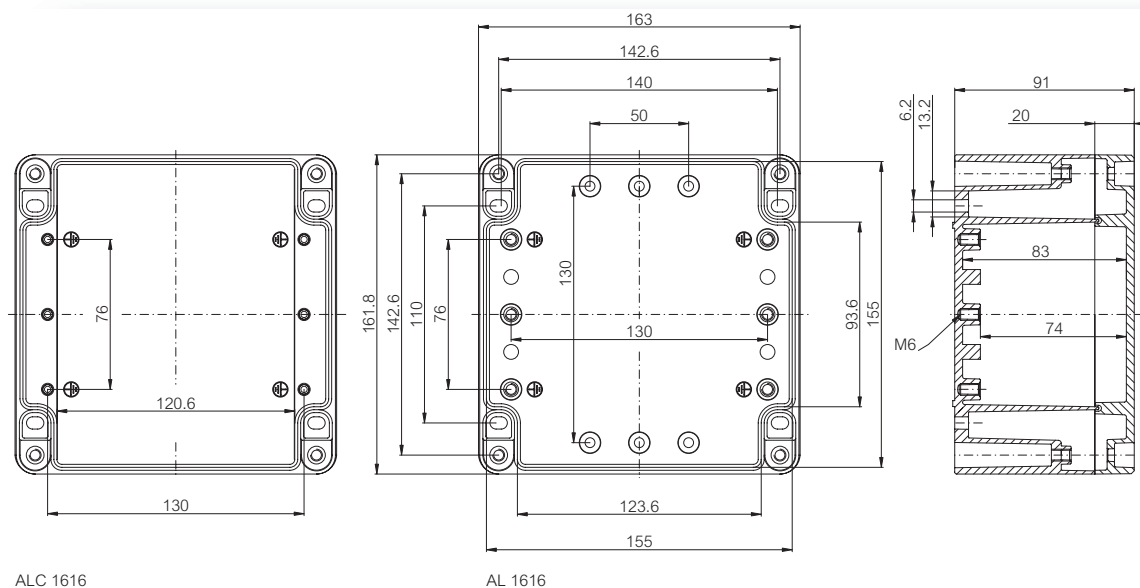
Including: Base with screws for mounting plate/DIN-rail, cover with PUR gasket and ferritic stainless steel cover screws.

## Enclosures

Order symbol	Code	Dimensions	Description
AL 161609	7011270	163 x 162 x 91	Enclosure • Aluminium
ALC 161609	7021270	163 x 162 x 91	Enclosure • Aluminium "CLASSIC"

## Accessories

Order symbol	Code	Dimensions	Description
AM 1616	9511149	146 x 146	Mounting plate
ARM 0615	9820011	15 x 140	DIN-15 Mounting rail
ARH 16	9822003	35 x 140	DIN-35 Mounting rail
MR 75005	7075005		Selftapping taptite screw M5
MRS 28541	7028541	15 x 50	Wall fastening lug (2 pcs) • incl. screws
PH A & AH A/B	9801047		Hinge set



ALC 1616

AL 1616

# EURONORD AL 1626

263 x 162

AL: IP 66/IP 67, IK 08



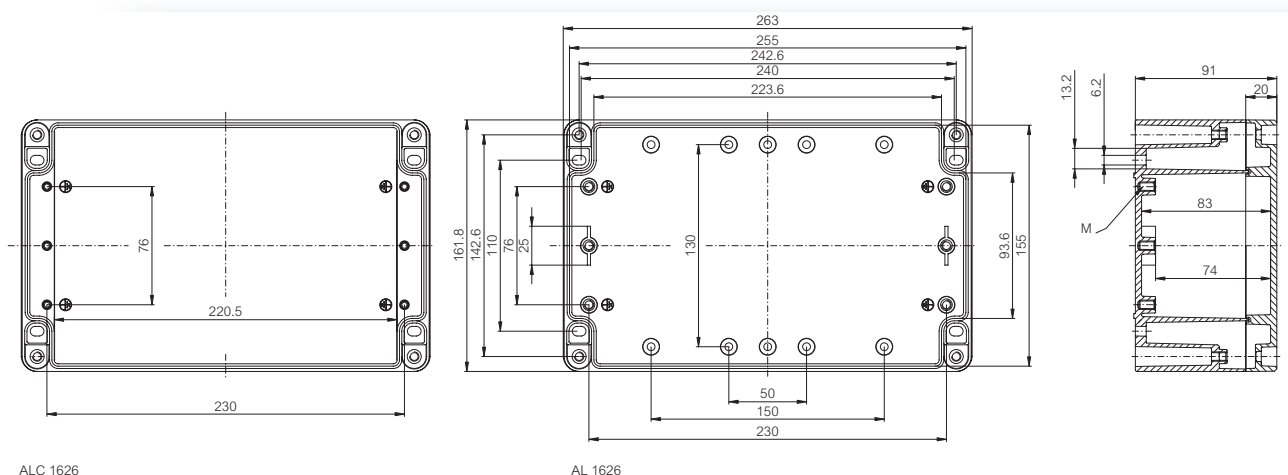
Including: Base with screws for mounting plate/DIN-rail, cover with PUR gasket and ferritic stainless steel cover screws.

## Enclosures

Order symbol	Code	Dimensions	Description
AL 162609	7011290	263 x 162 x 91	Enclosure • Aluminium
ALC 162609	7021290	263 x 162 x 91	Enclosure • Aluminium "CLASSIC"

## Accessories

Order symbol	Code	Dimensions	Description
AM 1626	9511096	146 x 244	Mounting plate
ARM 0825	9820019	15 x 240	DIN-15 Mounting rail
ARH 26	9822011	35 x 240	DIN-35 Mounting rail
MR 75005	7075005		Selftapping tapite screw M5
MRS 28541	7028541	15 x 50	Wall fastening lug (2 pcs) • incl. screws
PH A & AH A/B	9801047		Hinge set





# EURONORD AL 1636

360 x 160

AL: IP 66/IP 67, IK 08

Including: Base with screws for mounting plate/DIN-rail, cover with neoprene gasket and stainless steel cover screws.

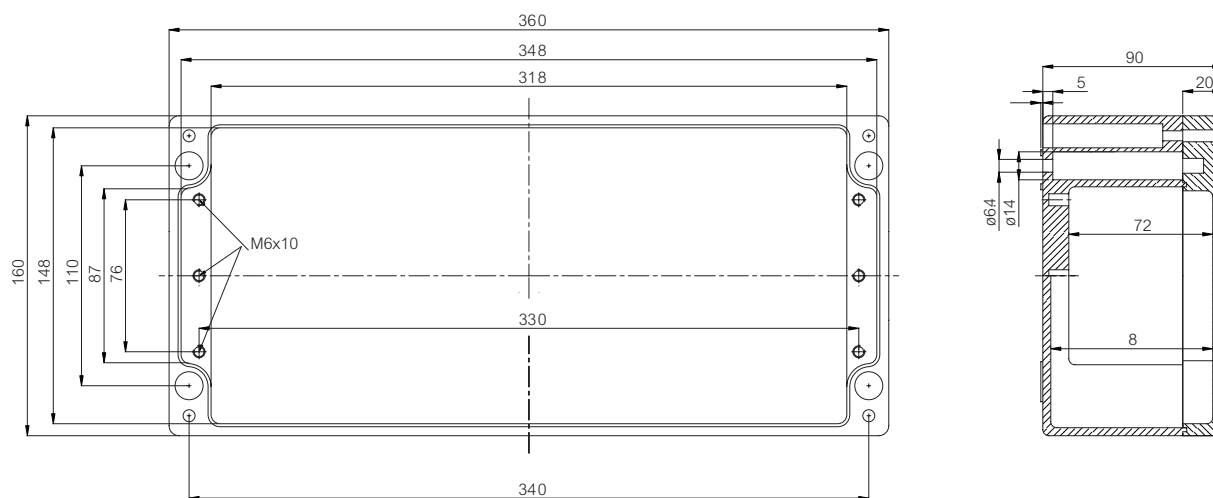
## Enclosures

Order symbol	Code	Dimensions	Description
AL 163609	7011310	360 x 160 x 90	Enclosure ▪ Aluminium

## Accessories

Order symbol	Code	Dimensions	Description
AM 1636	9511175	146 x 346	Mounting plate
ARH 1636	9822029	35 x 340	DIN-35 Mounting rail
MRS 28541	7028541	15 x 50	Wall fastening lug (2 pcs) ▪ incl. screws
PH A & AH A/B	9801047		Hinge set

FIBOX Aluminium AL 163609



# EURONORD AL 1656

560 x 160

AL: IP 66/IP 67, IK 08



Including: Base with screws for mounting plate/DIN-rail, cover with neoprene gasket and stainless steel cover screws.

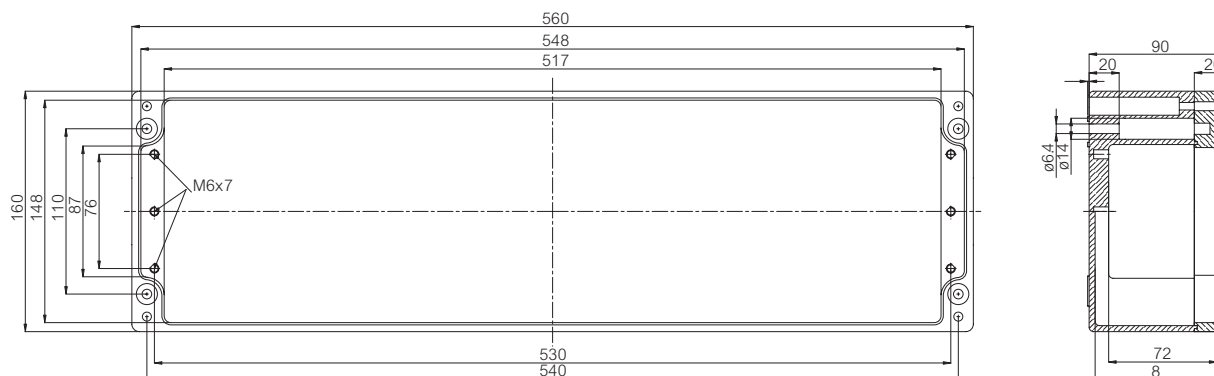
## Enclosures

Order symbol	Code	Dimensions	Description
AL 165609	7011330	560 x 160 x 90	Enclosure • Aluminium

## Accessories

Order symbol	Code	Dimensions	Description
AM 1656	9511014	146 x 545	Mounting plate
ARH 1656	9822018	35 x 540	DIN-35 Mounting rail
MRS 28541	7028541	15 x 50	Wall fastening lug (2 pcs) • incl. screws
PH A & AH A/B	9801047		Hinge set

FIBOX Aluminium AL 165609





# EURONORD AL 2320

230 x 200

AL: IP 66/IP 67, IK 08

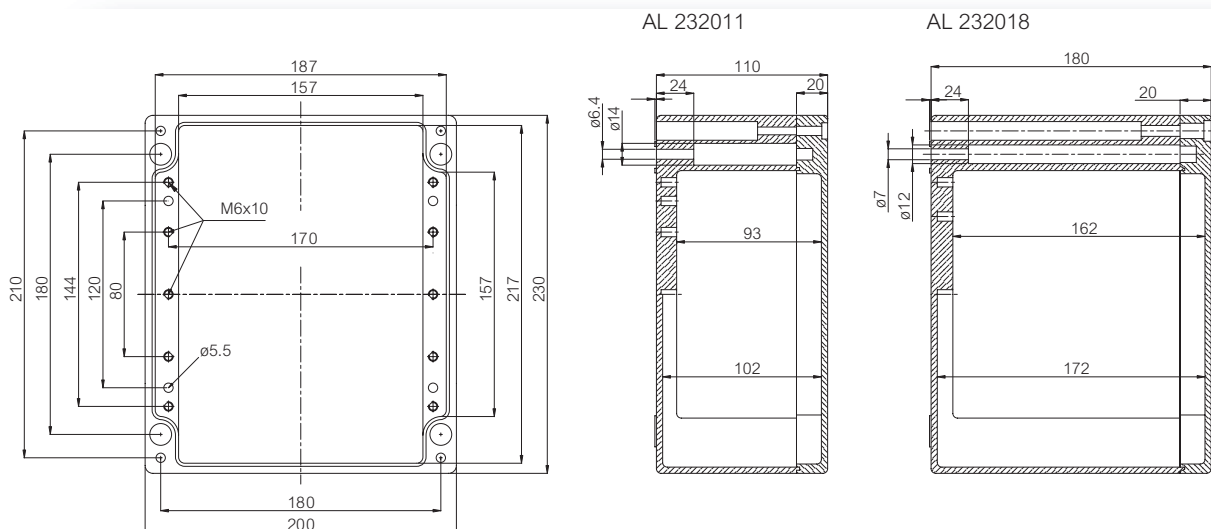
Including: Base with screws for mounting plate/DIN-rail, cover with neoprene gasket and stainless steel cover screws.

## Enclosures

Order symbol	Code	Dimensions	Description
AL 232011	7011350	230 x 200 x 110	Enclosure • Aluminium
AL 232018	7011360	230 x 200 x 180	Enclosure • Aluminium

## Accessories

Order symbol	Code	Dimensions	Description
AM 2320	9511015	215 x 184	Mounting plate
ARH 2320	9822005	35 x 180	DIN-35 Mounting rail
MRS 28541	7028541	15 x 50	Wall fastening lug (2 pcs) • incl. screws
PH A & AH A/B	9801047		Hinge set





# EURONORD AL 2328

280 x 230

AL: IP 66/IP 67, IK 08



Including: Base with screws for mounting plate/DIN-rail, cover with neoprene gasket and stainless steel cover screws.

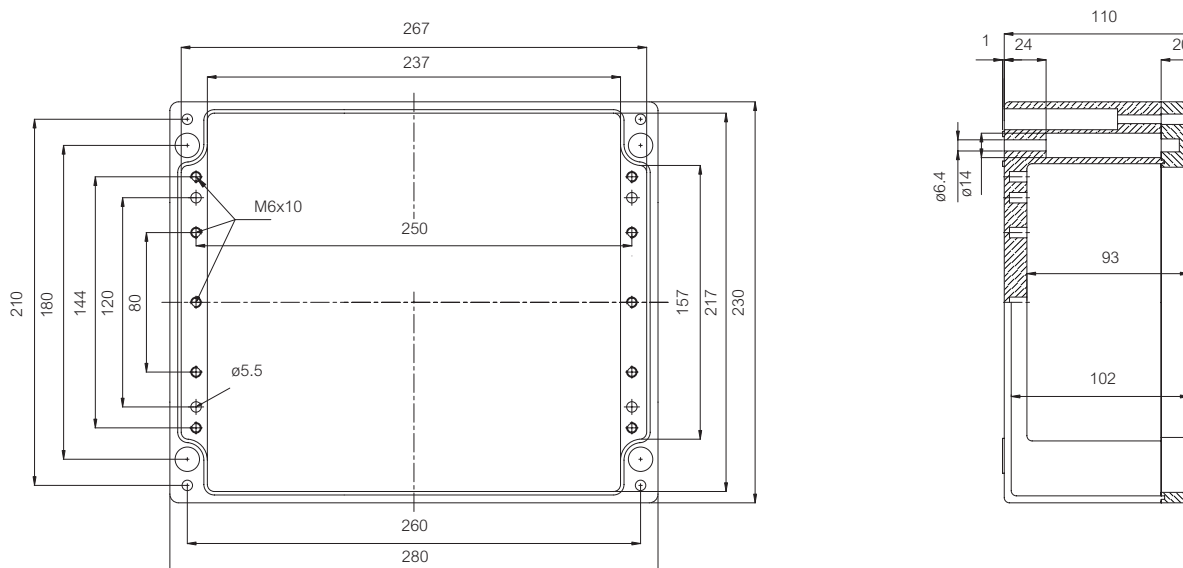
## Enclosures

Order symbol	Code	Dimensions	Description
AL 232811	7011370	280 x 230 x 110	Enclosure • Aluminium

## Accessories

Order symbol	Code	Dimensions	Description
AM 2328	9511016	215 x 264	Mounting plate
ARH 2328	9822012	35 x 260	DIN-35 Mounting rail
MRS 28541	7028541	15 x 50	Wall fastening lug (2 pcs) • incl. screws
PH A & AH A/B	9801047		Hinge set

FIBOX ALUMINIUM AL 232811





# EURONORD AL 2333

330 x 230

AL: IP 66/IP 67, IK 08

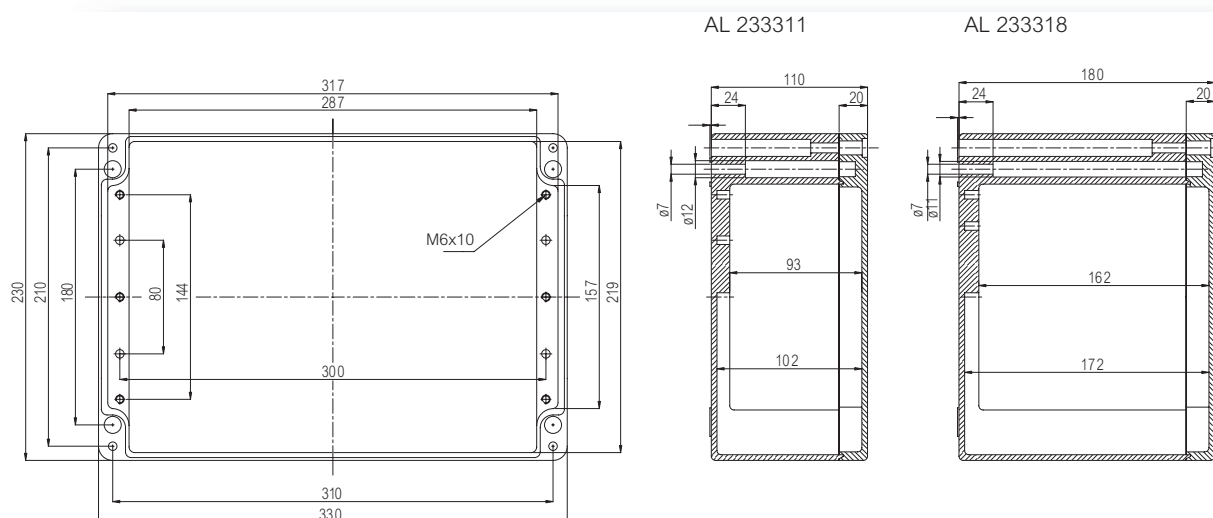
Including: Base with screws for mounting plate/DIN-rail, cover with neoprene gasket and stainless steel cover screws.

## Enclosures

Order symbol	Code	Dimensions	Description
AL 233311	7011380	330 x 230 x 110	Enclosure • Aluminium
AL 233318	7011390	330 x 230 x 180	Enclosure • Aluminium

## Accessories

Order symbol	Code	Dimensions	Description
AM 2333	9511017	215 x 315	Mounting plate
ARH 2333	9822014	35 x 310	DIN-35 Mounting rail
MRS 28541	7028541	15 x 50	Wall fastening lug (2 pcs) • incl. screws
PH A & AH A/B	9801047		Hinge set



# EURONORD AL 2340

401 x 230

AL: IP 66/IP 67, IK 08



Including: Base with screws for mounting plate/DIN-rail, cover with neoprene gasket and stainless steel cover screws.

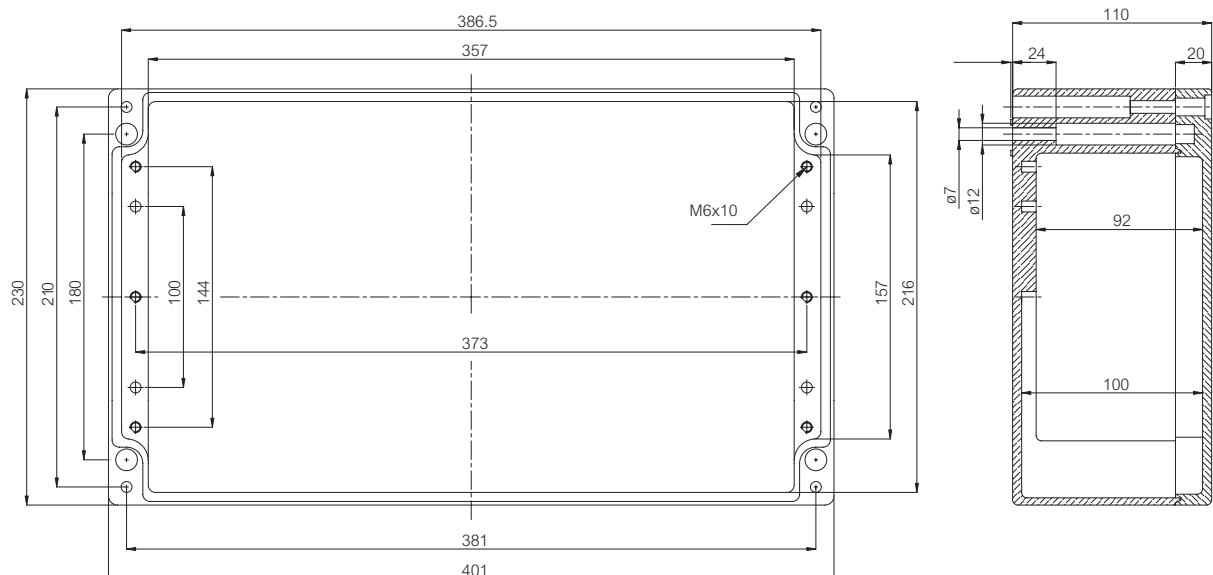
## Enclosures

Order symbol	Code	Dimensions	Description
AL 234011	7011400	401 x 230 x 110	Enclosure • Aluminium

## Accessories

Order symbol	Code	Dimensions	Description
AM 2340	9511018	215 x 385	Mounting plate
ARH 40	9822017	35 x 383	DIN-35 Mounting rail
MRS 28541	7028541	15 x 50	Wall fastening lug (2 pcs) • incl. screws
PH A & AH A/B	9801047		Hinge set

FIBOX ALUMINIUM AL 234011





# EURONORD AL 2360

600 x 230

AL: IP 66/IP 67, IK 08

Including: Base with screws for mounting plate/DIN-rail, cover with neoprene gasket and stainless steel cover screws.

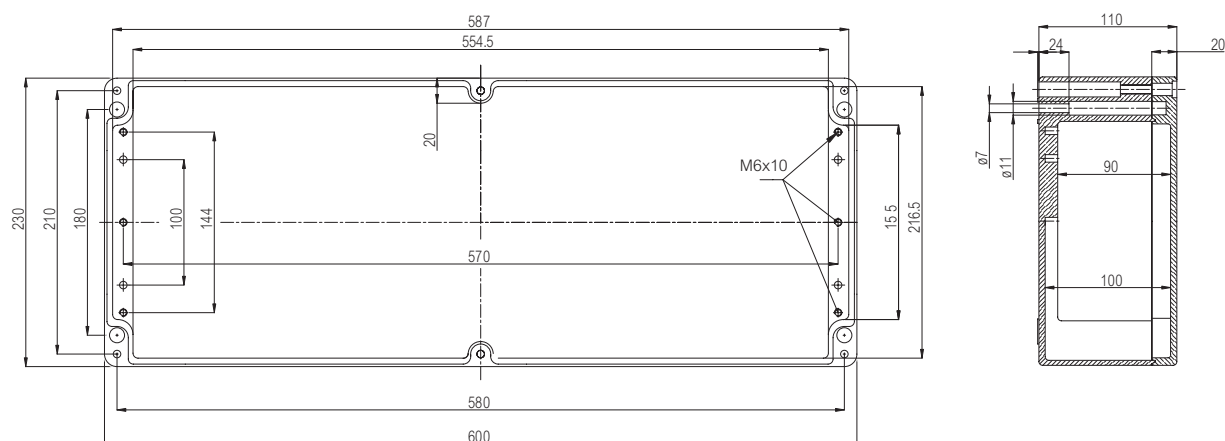
## Enclosures

Order symbol	Code	Dimensions	Description
AL 236011	7011420	600 x 230 x 110	Enclosure ▪ Aluminium

## Accessories

Order symbol	Code	Dimensions	Description
AM 2360	9511019	215 x 586	Mounting plate
ARH 60	9822019	35 x 580	DIN-35 Mounting rail
MRS 28541	7028541	15 x 50	Wall fastening lug (2 pcs) ▪ incl. screws
PH A & AH A/B	9801047		Hinge set

FIBOX ALUMINIUM AL 236011



# EURONORD AL 3140

403 x 310

AL: IP 66/IP 67, IK 08



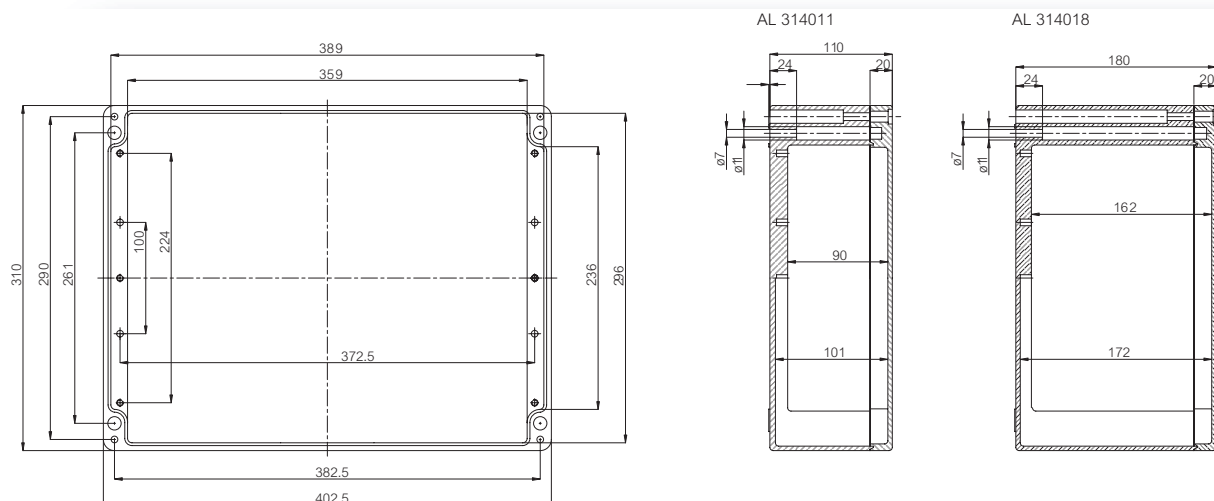
Including: Base with screws for mounting plate/DIN-rail, cover with neoprene gasket and stainless steel cover screws.

## Enclosures

Order symbol	Code	Dimensions	Description
AL 314011	7011450	403 x 310 x 110	Enclosure • Aluminium
AL 314018	7011460	403 x 310 x 180	Enclosure • Aluminium

## Accessories

Order symbol	Code	Dimensions	Description
AM 3140	9511020	294 x 387	Mounting plate
ARH 40	9822017	35 x 383	DIN-35 Mounting rail
MRS 28541	7028541	15 x 50	Wall fastening lug (2 pcs) • incl. screws
PH A & AH A/B	9801047		Hinge set





# EURONORD AL 3160

600 x 310

AL: IP 66/IP 67, IK 08

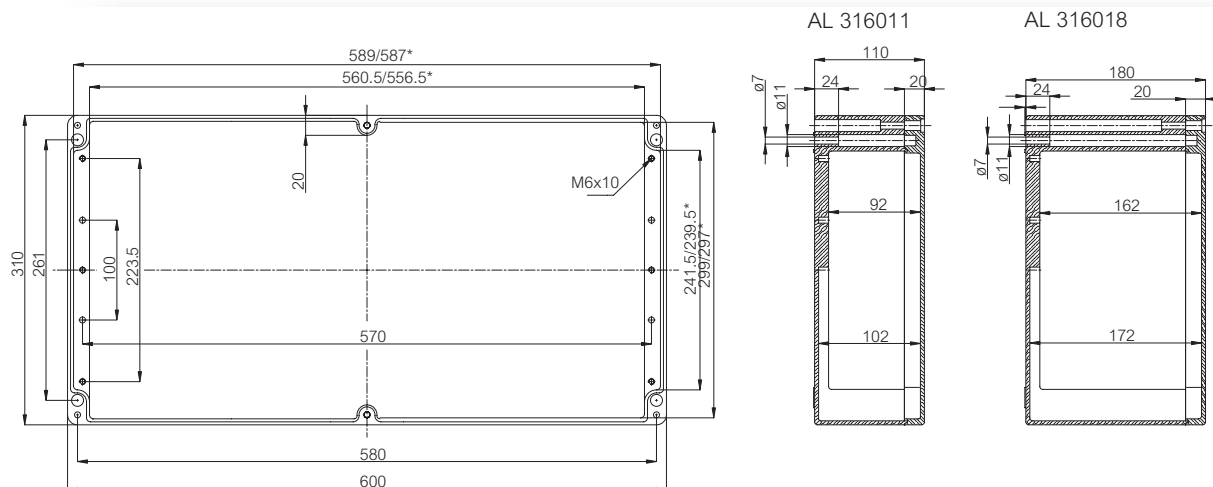
Including: Base with screws for mounting plate/DIN-rail, cover with neoprene gasket and stainless steel cover screws.

## Enclosures

Order symbol	Code	Dimensions	Description
AL 316011	7011470	600 x 310 x 110	Enclosure • Aluminium
AL 316018	7011480	600 x 310 x 180	Enclosure • Aluminium

## Accessories

Order symbol	Code	Dimensions	Description
AM 3160	9511021	293 x 585	Mounting plate
ARH 60	9822019	35 x 580	DIN-35 Mounting rail
MRS 28541	7028541	15 x 50	Wall fastening lug (2 pcs) • incl. screws
PH A & AH A/B	9801047		Hinge set



## AL ACCESSORIES

Order symbol      Code      Description

### Mounting plates (Galvanized steel, sheet thickness 1,5 mm)

AM 0808	9823015	69 x 64
AM 0813	9511043	69 x 114
AM 0818	9823017	69 x 164
AM 0825	9511007	69 x 240
AM 1212	9511150	107 x 110
AM 1222	9511095	107 x 207
AM 1236	9511174	107 x 347
AM 1616	9511149	146 x 146
AM 1626	9511096	146 x 244
AM 1636	9511175	146 x 346
AM 1656	9511014	146 x 545
AM 2320	9511015	215 x 184
AM 2328	9511016	215 x 264
AM 2333	9511017	215 x 315
AM 2340	9511018	215 x 385
AM 2360	9511019	215 x 586
AM 3140	9511020	294 x 387
AM 3160	9511021	293 x 585



### DIN-15 Mounting rails (Galvanized steel, rail height 5,0 mm)

ARM 0808	9820002	15 x 65
ARM 0610	9820005	15 x 88
ARM 0813	9820010	15 x 115
ARM 0615	9820011	15 x 140
ARM 0818	9820014	15 x 165
ARM 0825	9820019	15 x 240



### DIN-35 Mounting rails (Galvanized steel, rail height 7,5 mm)

ARH 12	9822001	35 x 105
ARH 16	9822003	35 x 140
ARH 2320	9822005	35 x 180
ARH 22	9822007	35 x 203
ARH 26	9822011	35 x 240
ARH 2328	9822012	35 x 260
ARH 2333	9822014	35 x 310
ARH 1636	9822029	35 x 340
ARH 36	9822015	35 x 343
ARH 40	9822017	35 x 383
ARH 1656	9822018	35 x 540
ARH 60	9822019	35 x 580



### Hinges and wall mounting

PH A & AH A/B	9801047	Hinge set
MRS 28545WH	7028545	Wire hinge ▪ one pair with screw, M6x30
MRS 28540	7028540	Wall fastening lug (2 pcs) ▪ incl. screws
MRS 28541	7028541	Wall fastening lug (2 pcs) ▪ incl. screws



### Cover screws

MR 10425	7010425	Cover screw M4 ▪ stainless
MR 10635	7010635	Cover screw M6 ▪ stainless



### Mounting and earth screws

MR 28548ZN	7028548	Mounting screw M4x6
MR 28549ZN	7028549	Mounting screw M6x8
MR 75003	7075003	Selftapping taptite screw M3
MR 75005	7075005	Selftapping taptite screw M5
MR 28550	7028550	Earth screw ▪ for AL 050503
MR 28546CU	7010408	Earth screw ▪ for small AL-enclosures up to 0825
MR 28547CU	7010610	Earth screw ▪ for big AL-enclosures from 1212
MRS 28546	7028546	Earth screw set (2 pcs)
MRS 38546	7038546	Screw set for small AL-enclosures up to 0825 ▪ incl. 2 earth and 4 mounting screws
MRS 38547	7038547	Screw set for big AL-enclosures from 1212 ▪ incl. 2 earth and 4 mounting screws



## EURONORD AL technical information

Property	Aluminium
Ingress Protection (EN 60529)	IP 66/IP 67
Impact Resistance (EN 62262)	IK 08
Temperature Range Celsius	-50° . . .140°C
(short term) Fahrenheit	-60 . . . 285°F
Temperature Range Celsius	-50° . . .80°C
(continuous) Fahrenheit	-60° . . .175°F
Polyester powder paint colour	RAL 7001
Cover Screws (0505 - 1626)	Ferritic Stainless Steel
Cover Screws (1636 - 3160)	Stainless steel
Gasket	PUR
Chemical Resistance *	Good

Data subject to change without notice.

\*Consult separate raw material data for more detailed information

### Confirmity to standards

**USA** Enclosures for Electrical Equipment  
UL Type 1, 4, 4X, 12 or 13; UL File E75645 Vol 1 Sec 6

**Canada** Industrial Control Equipment  
Enclosures for Electrical Equipment/ULc

**Europe** Empty enclosures for low-voltage switchgear and  
controlgear assemblies EN 62208:2003 (50298:1998)

**Europe** Safety of Information Technology Equipment EN  
60950

RoHS directive 2002/95/EC



# EURONORD P 0808

80 x 75

P: IP 66/IP 67, IK 08



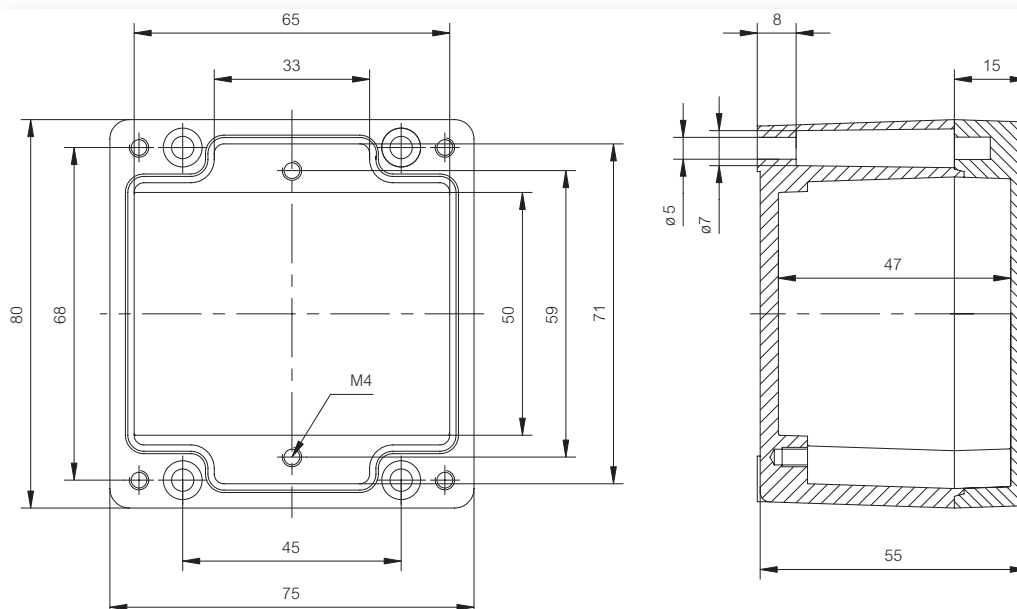
Including: Base, cover with EPDM gasket and stainless steel cover screws.

## Enclosures

Order symbol	Code	Dimensions	Description
P 080806	7094140	80 x 75 x 55	Enclosure • Polyester

## Accessories

Order symbol	Code	Dimensions	Description
PM 0808	9823000	64 x 69	Mounting plate
TRM 0808	9820004	15 x 68	DIN-15 Mounting rail
MRS 28540	7028540	11 x 42	Wall fastening lug (2 pcs) • incl. screws





# EURONORD P 0811

110 x 75

P: IP 66/IP 67, IK 08

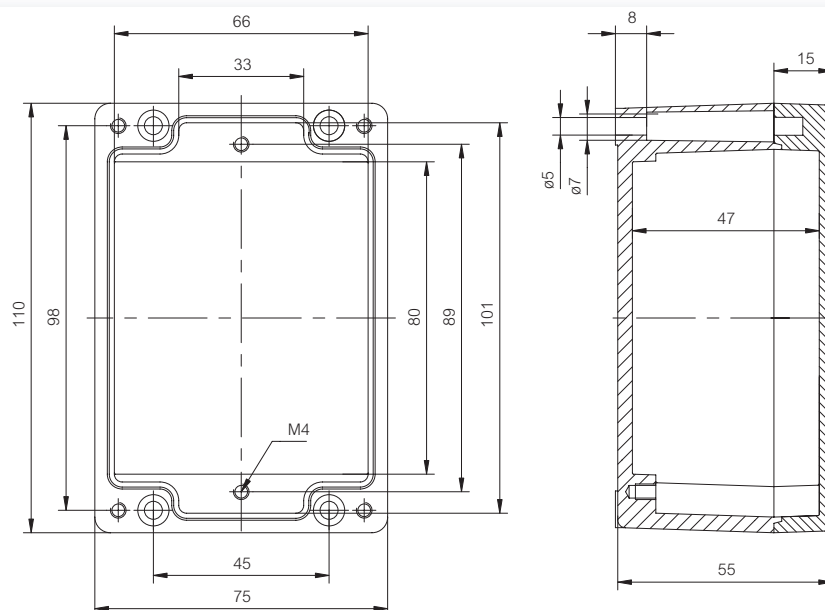
Including: Base, cover with EPDM gasket and stainless steel cover screws.

## Enclosures

Order symbol	Code	Dimensions	Description
P 081106	7094150	110 x 75 x 55	Enclosure • Polyester

## Accessories

Order symbol	Code	Dimensions	Description
PM 0811	9823001	64 x 99	Mounting plate
PRM 0811	9820006	15 x 99	DIN-15 Mounting rail
MRS 28540	7028540	11 x 42	Wall fastening lug (2 pcs) • incl. screws



# EURONORD P 0816

160 x 75

P: IP 66/IP 67, IK 08



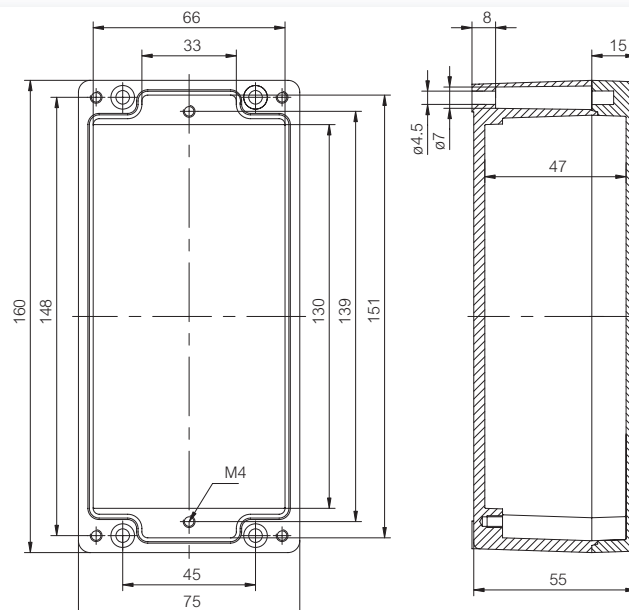
Including: Base, cover with EPDM gasket and stainless steel cover screws.

## Enclosures

Order symbol	Code	Dimensions	Description
P 081606	7094170	160 x 75 x 55	Enclosure • Polyester

## Accessories

Order symbol	Code	Dimensions	Description
PM 0816	9823002	64 x 149	Mounting plate
PRM 0816	9820012	15 x 149	DIN-15 Mounting rail
TRM 0816	9820013	15 x 146	DIN-15 Mounting rail
TRH 1216	9822028	35 x 146	DIN-35 Mounting rail
MRS 28540	7028540	11 x 42	Wall fastening lug (2 pcs) • incl. screws





# EURONORD P 0819

190 x 75

P: IP 66/IP 67, IK 08

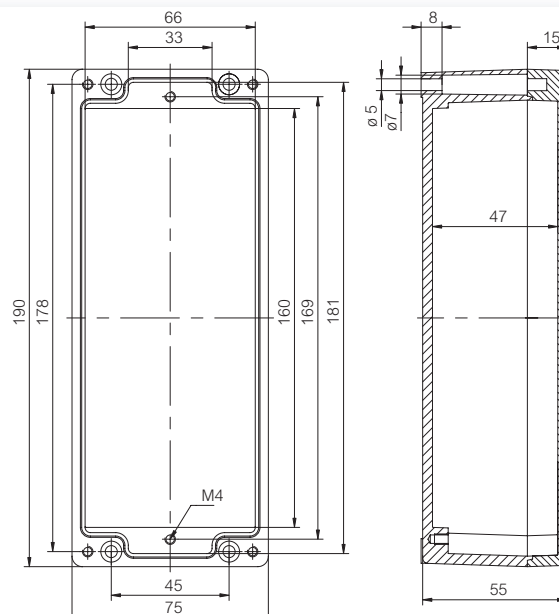
Including: Base, cover with EPDM gasket and stainless steel cover screws.

## Enclosures

Order symbol	Code	Dimensions	Description
P 081906	7094190	190 x 75 x 55	Enclosure • Polyester

## Accessories

Order symbol	Code	Dimensions	Description
PM 0819	9823003	64 x 179	Mounting plate
PRM 0819	9820015	15 x 179	DIN-15 Mounting rail
MRS 28540	7028540	11 x 42	Wall fastening lug (2 pcs) • incl. screws



# EURONORD P 1212

122 x 120

P: IP 66/IP 67, IK 08



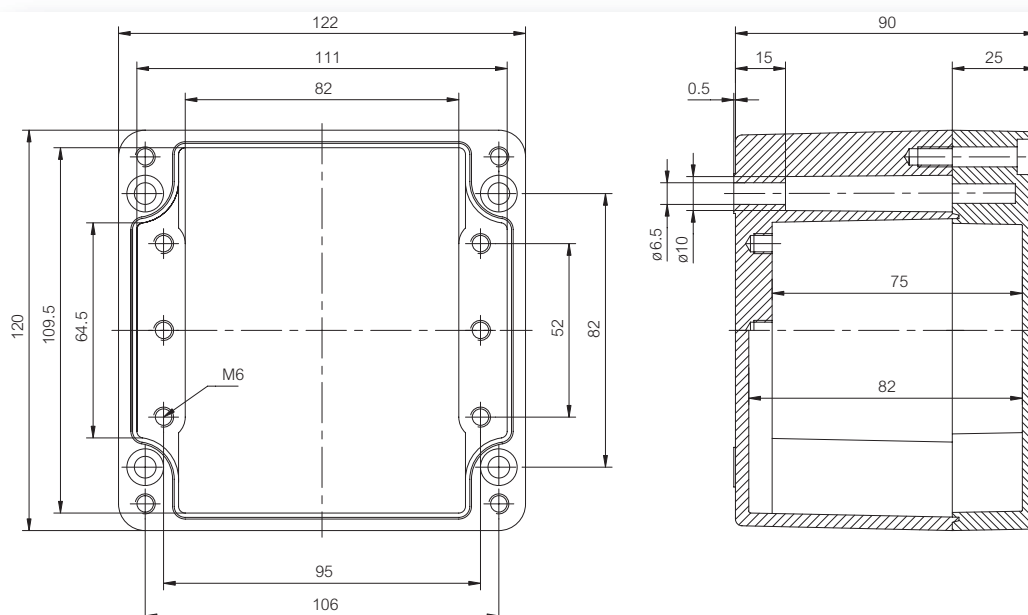
Including: Base, cover with EPDM gasket and stainless steel cover screws.

## Enclosures

Order symbol	Code	Dimensions	Description
P 121209	7094220	122 x 120 x 90	Enclosure • Polyester

## Accessories

Order symbol	Code	Dimensions	Description
AM 1212	9511150	107 x 110	Mounting plate
ARH 12	9822001	35 x 105	DIN-35 Mounting rail
MRS 28541	7028541	15 x 50	Wall fastening lug (2 pcs) • incl. screws
PH A & AH A/B	9801047		Hinge set





# EURONORD P 1222

220 x 120

P: IP 66/IP 67, IK 08

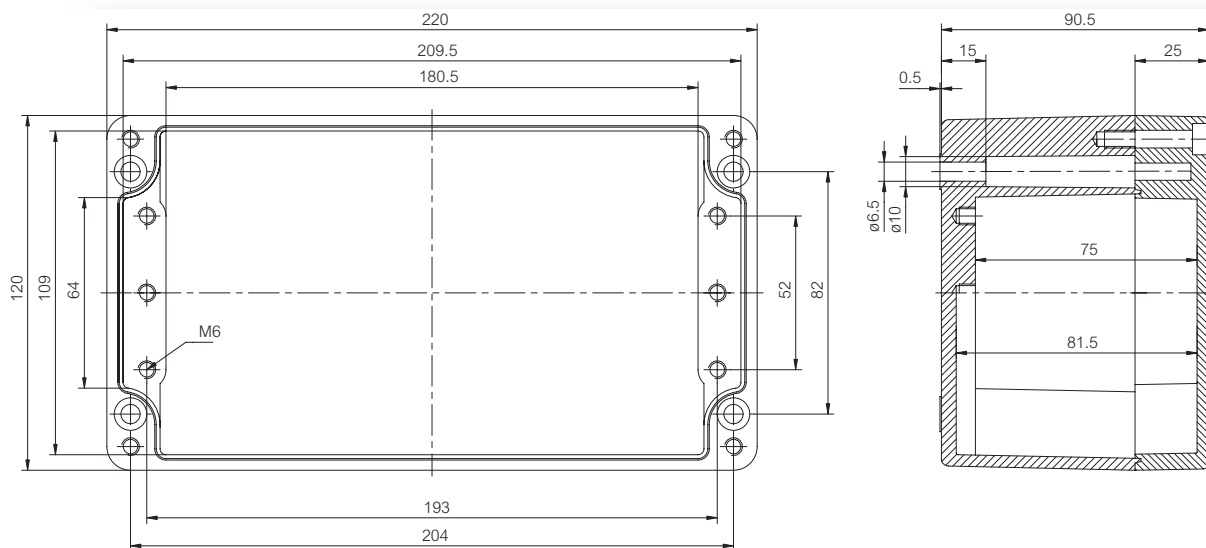
Including: Base, cover with EPDM gasket and stainless steel cover screws.

## Enclosures

Order symbol	Code	Dimensions	Description
P 122209	7094240	220 x 120 x 90	Enclosure ▪ Polyester

## Accessories

Order symbol	Code	Dimensions	Description
AM 1222	9511095	107 x 207	Mounting plate
ARH 22	9822007	35 x 203	DIN-35 Mounting rail
MRS 28541	7028541	15 x 50	Wall fastening lug (2 pcs) ▪ incl. screws
PH A & AH A/B	9801047		Hinge set



# EURONORD P 1616

160 x 160

P: IP 66/IP 67, IK 08



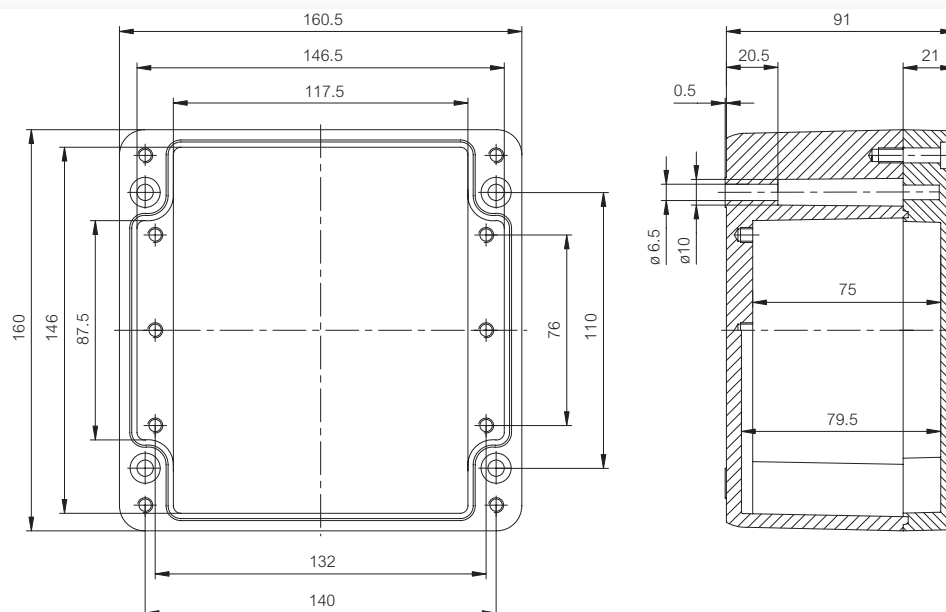
Including: Base, cover with EPDM gasket and stainless steel cover screws.

## Enclosures

Order symbol	Code	Dimensions	Description
P 161609	7094280	160 x 160 x 91	Enclosure • Polyester

## Accessories

Order symbol	Code	Dimensions	Description
PM 1616	9823006	146 x 146	Mounting plate
ARM 0615	9820011	15 x 140	DIN-15 Mounting rail
ARH 16	9822003	35 x 140	DIN-35 Mounting rail
MRS 28541	7028541	15 x 50	Wall fastening lug (2 pcs) • incl. screws
PH A & AH A/B	9801047		Hinge set





# EURONORD P 1626

260 x 160

P: IP 66/IP 67, IK 08

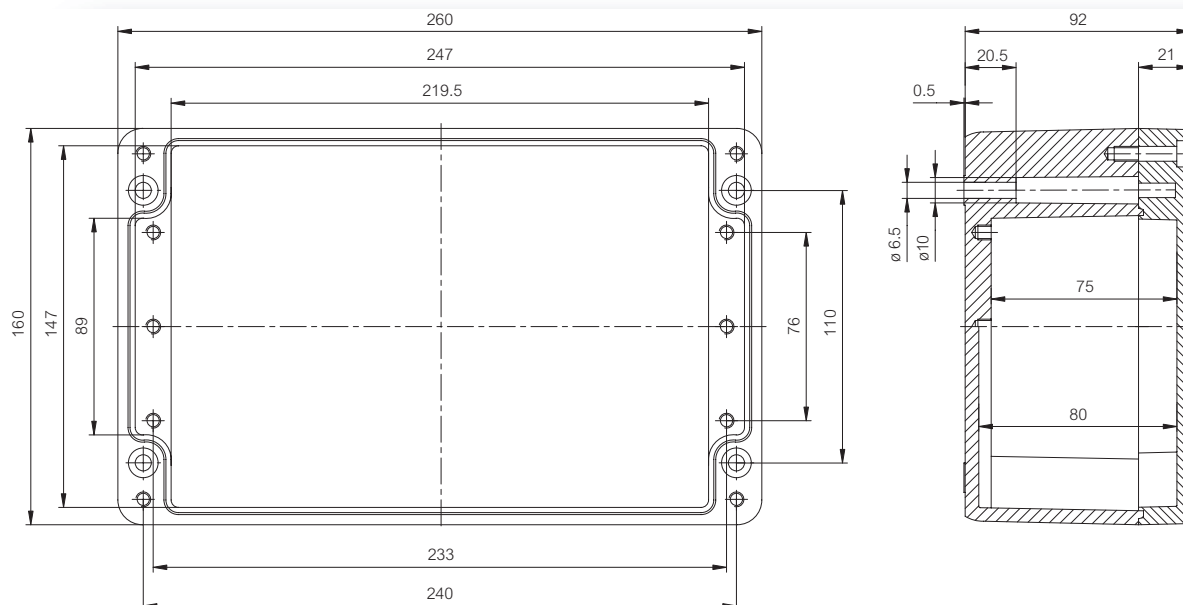
Including: Base, cover with EPDM gasket and stainless steel cover screws.

## Enclosures

Order symbol	Code	Dimensions	Description
P 162609	7094300	260 x 160 x 92	Enclosure ▪ Polyester

## Accessories

Order symbol	Code	Dimensions	Description
PM 1626	9823007	146 x 244	Mounting plate
ARH 26	9822011	35 x 240	DIN-35 Mounting rail
MRS 28541	7028541	15 x 50	Wall fastening lug (2 pcs) ▪ incl. screws
PH A & AH A/B	9801047		Hinge set





# EURONORD P 1636

361 x 160

P: IP 66/IP 67, IK 08



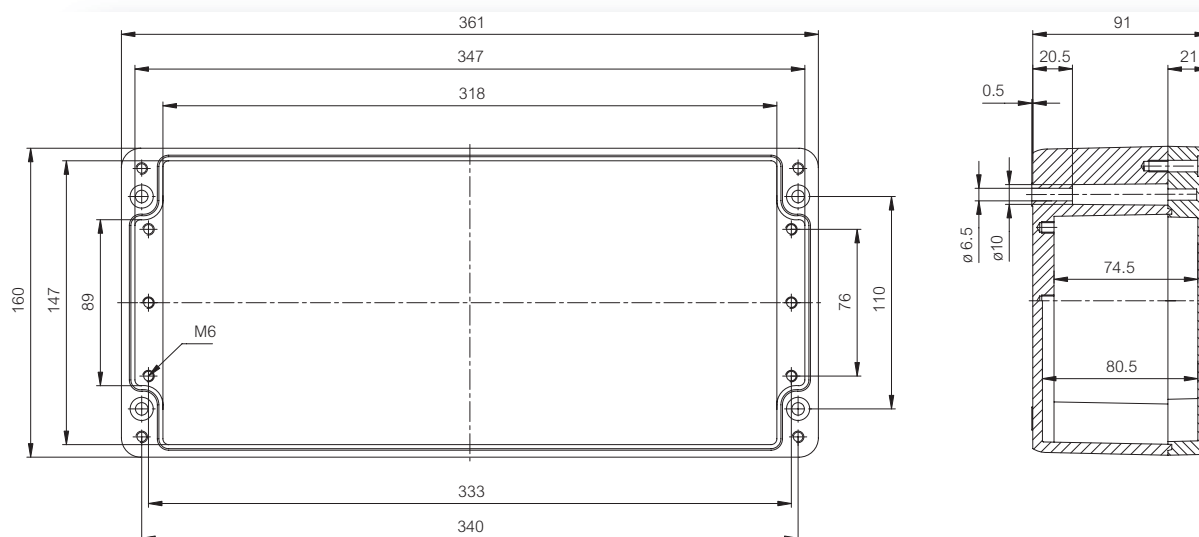
Including: Base, cover with EPDM gasket and stainless steel cover screws.

## Enclosures

Order symbol	Code	Dimensions	Description
P 163609	7094320	361 x 160 x 91	Enclosure • Polyester

## Accessories

Order symbol	Code	Dimensions	Description
AM 1236	9511174	107 x 347	Mounting plate
AM 1636	9511175	146 x 346	Mounting plate
ARH 36	9822015	35 x 343	DIN-35 Mounting rail
MRS 28541	7028541	15 x 50	Wall fastening lug (2 pcs) • incl. screws
PH A & AH A/B	9801047		Hinge set





# EURONORD P 2526

256 x 251

P: IP 66/IP 67, IK 08

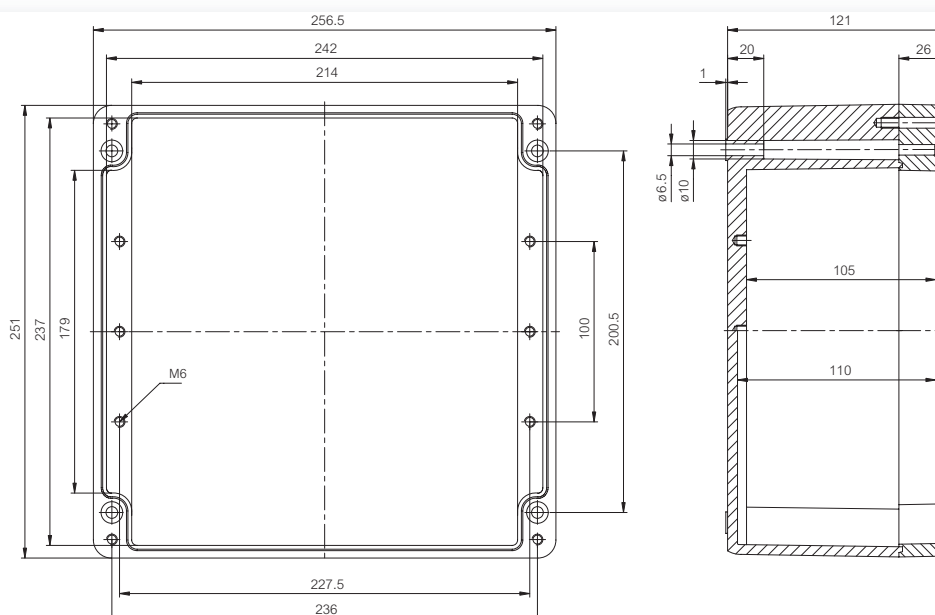
Including: Base, cover with EPDM gasket and stainless steel cover screws.

## Enclosures

Order symbol	Code	Dimensions	Description
P 252612	7094370	256 x 251 x 121	Enclosure ▪ Polyester

## Accessories

Order symbol	Code	Dimensions	Description
PM 2526	9823009	231 x 240	Mounting plate
PRH 2526	9821007	35 x 238	DIN-35 Mounting rail
MRS 28541	7028541	15 x 50	Wall fastening lug (2 pcs) ▪ incl. screws
PH A & AH A/B	9801047		Hinge set



# EURONORD P 2540

402 x 250

P: IP 66/IP 67, IK 08



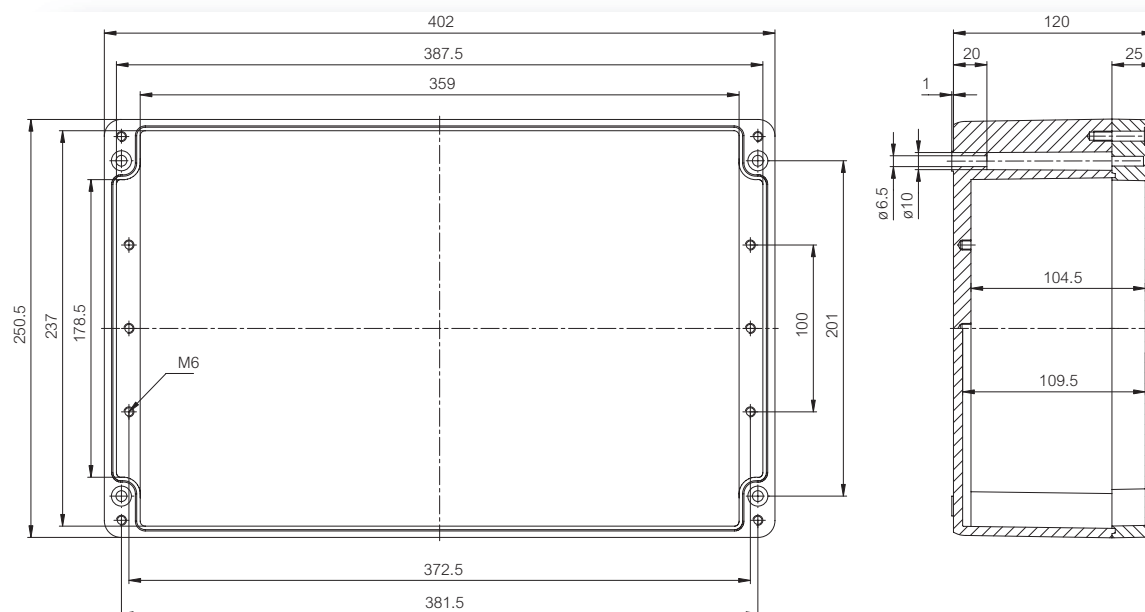
Including: Base, cover with EPDM gasket and stainless steel cover screws.

## Enclosures

Order symbol	Code	Dimensions	Description
P 254012	7094400	402 x 250 x 120	Enclosure • Polyester

## Accessories

Order symbol	Code	Dimensions	Description
PM 2540	9823010	231 x 383	Mounting plate
AM 2340	9511018	215 x 385	Mounting plate
ARH 40	9822017	35 x 383	DIN-35 Mounting rail
MRS 28541	7028541	15 x 50	Wall fastening lug (2 pcs) • incl. screws
PH A & AH A/B	9801047		Hinge set





# EURONORD P 4040

406 x 401

P: IP 66/IP 67, IK 08

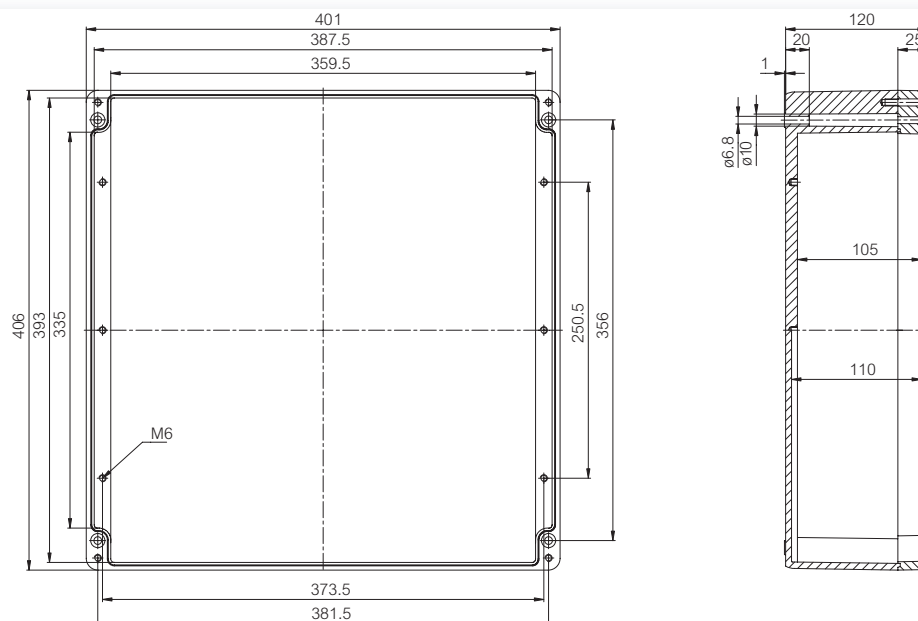
Including: Base, cover with EPDM gasket and stainless steel cover screws.

## Enclosures

Order symbol	Code	Dimensions	Description
P 404012	7094450	406 x 401 x 120	Enclosure ▪ Polyester

## Accessories

Order symbol	Code	Dimensions	Description
PM 4040	9823011	390 x 385	Mounting plate
ARH 40	9822017	35 x 383	DIN-35 Mounting rail
MRS 28541	7028541	15 x 50	Wall fastening lug (2 pcs) ▪ incl. screws
PH A & AH A/B	9801047		Hinge set



## P ACCESSORIES

Order symbol    Code    Description

### Mounting plates (Galvanized steel, sheet thickness 1,5 mm)

PM 0808	9823000	64 x 69
PM 0811	9823001	64 x 99
PM 0816	9823002	64 x 149
PM 0819	9823003	64 x 179
AM 1212	9511150	107 x 110
AM 1222	9511095	107 x 207
PM 1616	9823006	146 x 146
PM 1626	9823007	146 x 244
AM 1636	9511175	146 x 346
PM 2526	9823009	231 x 240
PM 2540	9823010	231 x 383
PM 4040	9823011	390 x 385

### DIN-15 Mounting rails (Galvanized steel, rail height 5,0 mm)

TRM 0808	9820004	15 x 68
PRM 0811	9820006	15 x 99
ARM 0615	9820011	15 x 140
PRM 0816	9820012	15 x 149
PRM 0819	9820015	15 x 179

### DIN-35 Mounting rails (Galvanized steel, rail height 7,5 mm)

ARH 12	9822001	35 x 105
ARH 16	9822003	35 x 140
ARH 22	9822007	35 x 203
PRH 2526	9821007	35 x 238
ARH 26	9822011	35 x 240
ARH 36	9822015	35 x 343
ARH 40	9822017	35 x 383

### Hinges and wall mounting

PH A & AH A/B	9801047	Hinge set
MRS 28540	7028540	Wall fastening lug (2 pcs) • incl. screws
MRS 28541	7028541	Wall fastening lug (2 pcs) • incl. screws



## EURONORD P technical information

Property    Polyester (GRP)

Ingress Protection (EN 60529)	IP 66/IP 67
Impact Resistance (EN 62262)	IK 08
Temperature Range Celsius	-50° . . .120°C
(short term) Fahrenheit	-60 . . . 250°F
Temperature Range Celsius	-40° . . .80°C
(continuous) Fahrenheit	-40° . . .175°F
Electrical Insulation	Totally insulated ☑
Colour	RAL 7001
Cover Screws	Stainless steel
Gasket	EPDM
Enclosure Flammability Rating	UL 94-5V
Glow Wire Test (IEC 695-2-1)	960°C
Self -extinguishing (PC)	
Non-toxicity	Halogen Free
Chemical Resistance *	Good

Data subject to change without notice.

\*Consult separate raw material data for more detailed information

### Conformity to standards

**USA** Enclosures for Electrical Equipment  
P: NEMA 1, 4, 4X, 12 or 13

**Canada** Industrial Control Equipment  
Enclosures for Electrical Equipment/ULc

**Europe** Empty enclosures for low-voltage switchgear and  
controlgear assemblies EN 62208:2003 (50298:1998)

**Europe** Safety of Information Technology Equipment  
EN 60950

RoHS directive 2002/95/EC

## Fibox SOLID

SOLID range is an excellent choice to house electronic and electrical components. It is also an ideal alternative to polyester enclosures. It is available with screw and hinge covers in both polycarbonate and ABS.



# SOLID



Wide opening hinges



Wide accessory selection



RoHS compliant and halogen-free

# SOLID PC/ABS 1919

188 x 188 PC: IP 66/IP 67, IK 08/IK 09  
ABS: IP 66/IP 67, IK 08

Including: Base with screws for mounting plate/DIN-rail, cover with PUR gasket and polyamide cover screws.

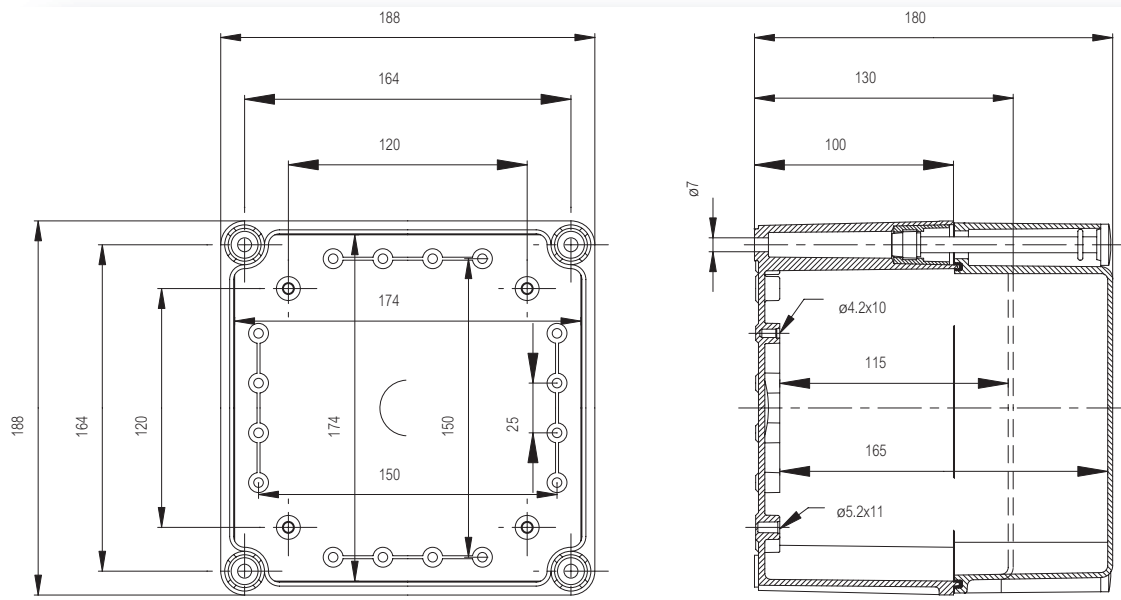


## Enclosures

Order symbol	Code	Dimensions	Description
PC 1919 13 G	5330359	188 x 188 x 130	Enclosure, PC • Grey cover
PC 1919 18 G	5330369	188 x 188 x 180	Enclosure, PC • Grey cover
PC 1919 13 G-2FSH	2539505	188 x 188 x 130	Enclosure, PC, IP 65 • Grey hinged cover
PC 1919 18 G-2FSH	2539507	188 x 188 x 180	Enclosure, PC, IP 65 • Grey hinged cover
PC 1919 13 T	5330059	188 x 188 x 130	Enclosure, PC • Transparent cover
PC 1919 18 T	5330069	188 x 188 x 180	Enclosure, PC • Transparent cover
PC 1919 13 T-2FSH	2539535	188 x 188 x 130	Enclosure, PC, IP 65 • Transparent hinged cover
PC 1919 18 T-2FSH	2539537	188 x 188 x 180	Enclosure, PC, IP 65 • Transparent hinged cover
ABS 1919 13 G	5880359	188 x 188 x 130	Enclosure, ABS • Grey cover
ABS 1919 18 G	5880369	188 x 188 x 180	Enclosure, ABS • Grey cover
ABS 1919 13 G-2FSH	9880401	188 x 188 x 130	Enclosure, ABS, IP 65 • Grey hinged cover
ABS 1919 18 G-2FSH	9880405	188 x 188 x 180	Enclosure, ABS, IP 65 • Grey hinged cover
ABS 1919 13 T	5880059	188 x 188 x 130	Enclosure, ABS • Transparent cover
ABS 1919 18 T	5880069	188 x 188 x 180	Enclosure, ABS • Transparent cover
ABS 1919 13 T-2FSH	9880451	188 x 188 x 130	Enclosure, ABS, IP 65 • Transparent hinged cover
ABS 1919 18 T-2FSH	9880455	188 x 188 x 180	Enclosure, ABS, IP 65 • Transparent hinged cover

## Accessories

Order symbol	Code	Dimensions	Description
EKHVT	3770548	148 x 148	Mounting plate
EKV 12	3770647	35 x 160	DIN-35 Mounting rail





## SOLID PC/ABS 2819

278 x 188 PC: IP 66/IP 67, IK 08/IK 09  
ABS: IP 66/IP 67, IK 08

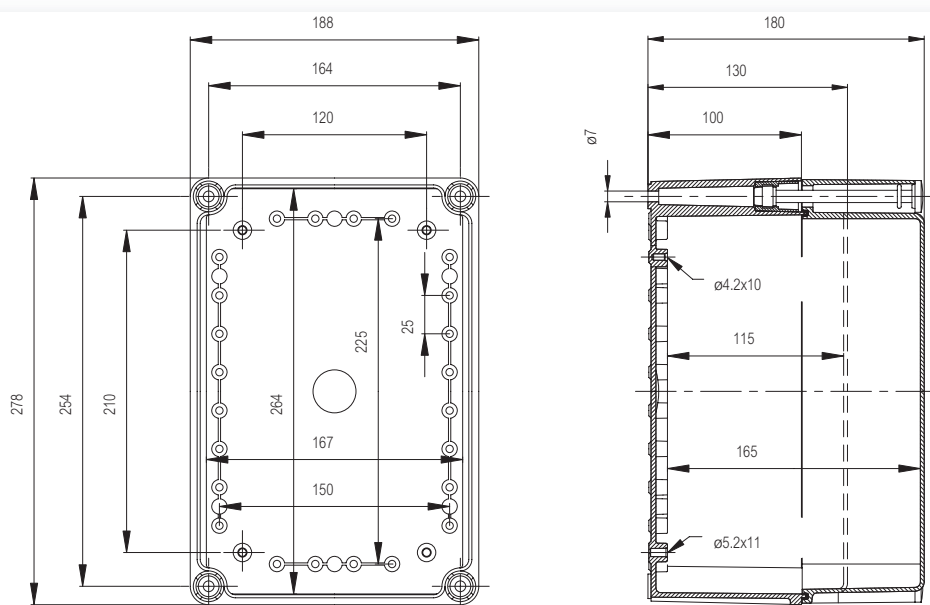
Including: Base with screws for mounting plate/DIN-rail, cover with PUR gasket and polyamide cover screws.

### Enclosures

Order symbol	Code	Dimensions	Description
PC 2819 13 G	5330360	278 x 188 x 130	Enclosure, PC • Grey cover
PC 2819 18 G	5330370	278 x 188 x 180	Enclosure, PC • Grey cover
PC 2819 13 G-2FSH	2539509	278 x 188 x 130	Enclosure, PC, IP 65 • Grey hinged cover
PC 2819 18 G-2FSH	2539511	278 x 188 x 180	Enclosure, PC, IP 65 • Grey hinged cover
PC 2819 13 T	5330060	278 x 188 x 130	Enclosure, PC • Transparent cover
PC 2819 18 T	5330070	278 x 188 x 180	Enclosure, PC • Transparent cover
PC 2819 13 T-2FSH	2539539	278 x 188 x 130	Enclosure, PC, IP 65 • Transparent hinged cover
PC 2819 18 T-2FSH	2539541	278 x 188 x 180	Enclosure, PC, IP 65 • Transparent hinged cover
ABS 2819 13 G	5880360	278 x 188 x 130	Enclosure, ABS • Grey cover
ABS 2819 18 G	5880370	278 x 188 x 180	Enclosure, ABS • Grey cover
ABS 2819 13 G-2FSH	9996267	278 x 188 x 130	Enclosure, ABS, IP 65 • Grey hinged cover
ABS 2819 18 G-2FSH	9996268	278 x 188 x 180	Enclosure, ABS, IP 65 • Grey hinged cover
ABS 2819 13 T	5880060	278 x 188 x 130	Enclosure, ABS • Transparent cover
ABS 2819 18 T	5880070	278 x 188 x 180	Enclosure, ABS • Transparent cover
ABS 2819 13 T-2FSH	9880459	278 x 188 x 130	Enclosure, ABS, IP 65 • Transparent hinged cover
ABS 2819 18 T-2FSH	9880463	278 x 188 x 180	Enclosure, ABS, IP 65 • Transparent hinged cover

### Accessories

Order symbol	Code	Dimensions	Description
EKJVT	3770549	238 x 148	Mounting plate
EKV 12	3770647	35 x 160	DIN-35 Mounting rail
EKV 22	3770648	35 x 235	DIN-35 Mounting rail
EKJZR	3730153	278 x 188 x 50	Extension frame





# SOLID PC/ABS 3819

378 x 188 PC: IP 66/IP 67, IK 08/IK 09  
ABS: IP 66/IP 67, IK 08

Including: Base with screws for mounting plate/DIN-rail, cover with PUR gasket and polyamide cover screws.

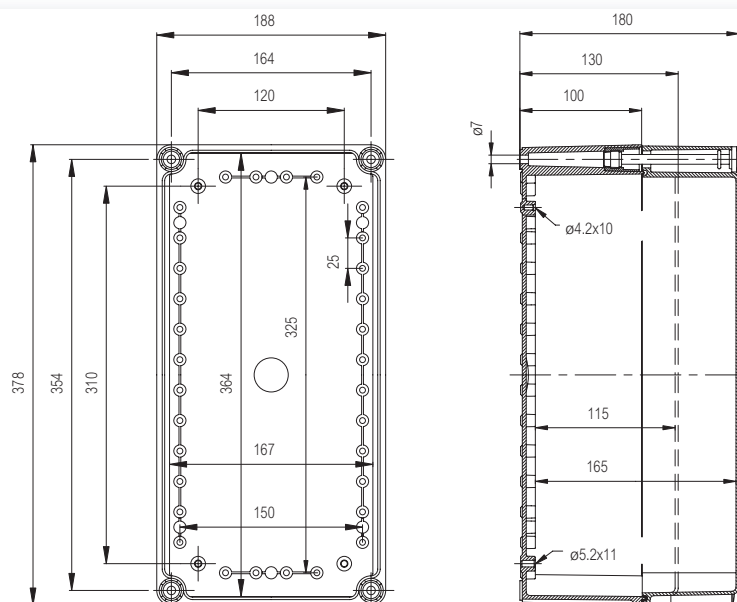


## Enclosures

Order symbol	Code	Dimensions	Description
PC 3819 13 G	5330361	378 x 188 x 130	Enclosure, PC • Grey cover
PC 3819 18 G	5330371	378 x 188 x 180	Enclosure, PC • Grey cover
PC 3819 13 G-2FSH	2539513	378 x 188 x 130	Enclosure, PC, IP 65 • Grey hinged cover
PC 3819 18 G-2FSH	2539515	378 x 188 x 180	Enclosure, PC, IP 65 • Grey hinged cover
PC 3819 13 T	5330061	378 x 188 x 130	Enclosure, PC • Transparent cover
PC 3819 18 T	5330071	378 x 188 x 180	Enclosure, PC • Transparent cover
PC 3819 13 T-2FSH	2539543	378 x 188 x 130	Enclosure, PC, IP 65 • Transparent hinged cover
PC 3819 18 T-2FSH	2539545	378 x 188 x 180	Enclosure, PC, IP 65 • Transparent hinged cover
ABS 3819 13 G	5880361	378 x 188 x 130	Enclosure, ABS • Grey cover
ABS 3819 18 G	5880371	378 x 188 x 180	Enclosure, ABS • Grey cover
ABS 3819 13 G-2FSH	9880425	378 x 188 x 130	Enclosure, ABS, IP 65 • Grey hinged cover
ABS 3819 18 G-2FSH	9880429	378 x 188 x 180	Enclosure, ABS, IP 65 • Grey hinged cover
ABS 3819 13 T	5880061	378 x 188 x 130	Enclosure, ABS • Transparent cover
ABS 3819 18 T	5880071	378 x 188 x 180	Enclosure, ABS • Transparent cover
ABS 3819 13 T-2FSH	9880475	378 x 188 x 130	Enclosure, ABS, IP 65 • Transparent hinged cover
ABS 3819 18 T-2FSH	9880479	378 x 188 x 180	Enclosure, ABS, IP 65 • Transparent hinged cover

## Accessories

Order symbol	Code	Dimensions	Description
EKMVT	3770550	338 x 148	Mounting plate
EKV 12	3770647	35 x 160	DIN-35 Mounting rail
EKV 32	3770649	35 x 335	DIN-35 Mounting rail
EKMZR	3730152	378 x 188 x 50	Extension frame





## SOLID PC/ABS 2828

278 x 278 PC: IP 66/IP 67, IK 08/IK 09  
ABS: IP 66/IP 67, IK 08

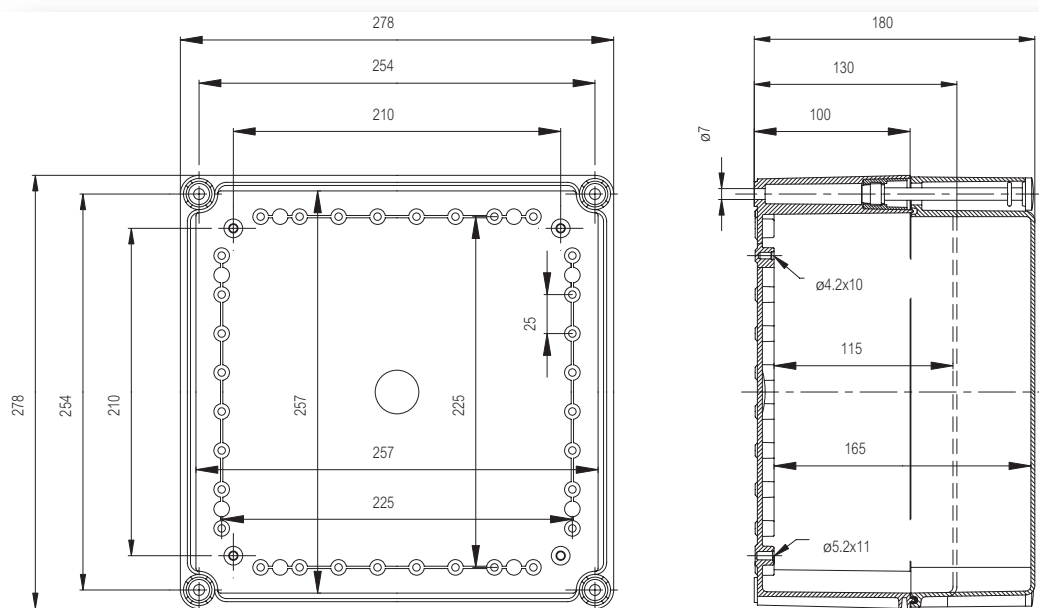
Including: Base with screws for mounting plate/DIN-rail, cover with PUR gasket and polyamide cover screws.

### Enclosures

Order symbol	Code	Dimensions	Description
PC 2828 13 G	5330362	278 x 278 x 130	Enclosure, PC • Grey cover
PC 2828 18 G	5330372	278 x 278 x 180	Enclosure, PC • Grey cover
PC 2828 13 G-2FSH	2539517	278 x 278 x 130	Enclosure, PC, IP 65 • Grey hinged cover
PC 2828 18 G-2FSH	2539519	278 x 278 x 180	Enclosure, PC, IP 65 • Grey hinged cover
PC 2828 13 T	5330062	278 x 278 x 130	Enclosure, PC • Transparent cover
PC 2828 18 T	5330072	278 x 278 x 180	Enclosure, PC • Transparent cover
PC 2828 13 T-2FSH	2539547	278 x 278 x 130	Enclosure, PC, IP 65 • Transparent hinged cover
PC 2828 18 T-2FSH	2539549	278 x 278 x 180	Enclosure, PC, IP 65 • Transparent hinged cover
ABS 2828 13 G	5880362	278 x 278 x 130	Enclosure, ABS • Grey cover
ABS 2828 18 G	5880372	278 x 278 x 180	Enclosure, ABS • Grey cover
ABS 2828 13 G-2FSH	9880417	278 x 278 x 130	Enclosure, ABS, IP 65 • Grey hinged cover
ABS 2828 18 G-2FSH	9880421	278 x 278 x 180	Enclosure, ABS, IP 65 • Grey hinged cover
ABS 2828 13 T	5880062	278 x 278 x 130	Enclosure, ABS • Transparent cover
ABS 2828 18 T	5880072	278 x 278 x 180	Enclosure, ABS • Transparent cover
ABS 2828 13 T-2FSH	9880467	278 x 278 x 130	Enclosure, ABS, IP 65 • Transparent hinged cover
ABS 2828 18 T-2FSH	9880471	278 x 278 x 180	Enclosure, ABS, IP 65 • Transparent hinged cover

### Accessories

Order symbol	Code	Dimensions	Description
EKOVT	3770551	238 x 238	Mounting plate
EKV 22	3770648	35 x 235	DIN-35 Mounting rail
EKOZR	3730093	278 x 278 x 50	Extension frame



# SOLID PC/ABS 3828

378 x 278 PC: IP 66/IP 67, IK 08/IK 09  
ABS: IP 66/IP 67, IK 08

Including: Base with screws for mounting plate/DIN-rail, cover with PUR gasket and polyamide cover screws.

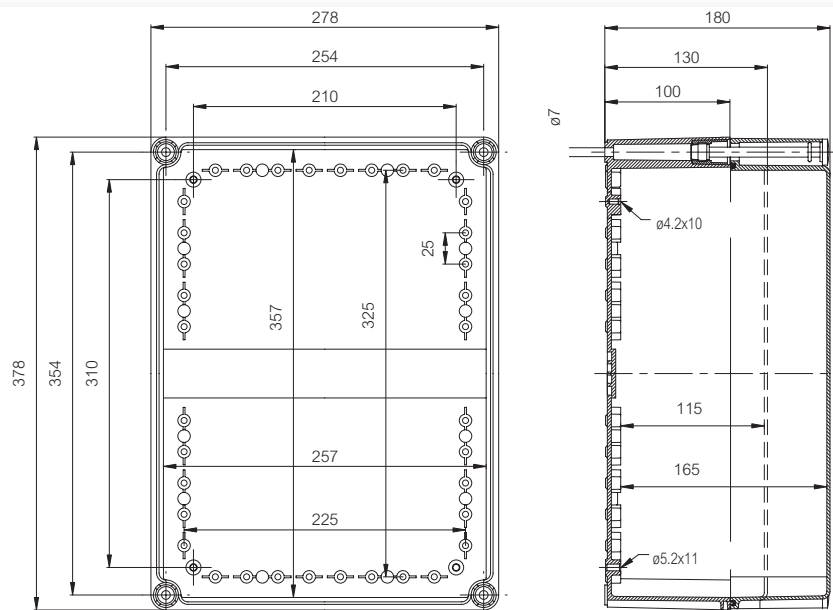


## Enclosures

Order symbol	Code	Dimensions	Description
PC 3828 13 G	5330363	378 x 278 x 130	Enclosure, PC • Grey cover
PC 3828 18 G	5330373	378 x 278 x 180	Enclosure, PC • Grey cover
PC 3828 13 G-2FSH	2539521	378 x 278 x 130	Enclosure, PC, IP 65 • Grey hinged cover
PC 3828 18 G-2FSH	2539523	378 x 278 x 180	Enclosure, PC, IP 65 • Grey hinged cover
PC 3828 13 T	5330063	378 x 278 x 130	Enclosure, PC • Transparent cover
PC 3828 18 T	5330073	378 x 278 x 180	Enclosure, PC • Transparent cover
PC 3828 13 T-2FSH	2539551	378 x 278 x 130	Enclosure, PC, IP 65 • Transparent hinged cover
PC 3828 18 T-2FSH	2539553	378 x 278 x 180	Enclosure, PC, IP 65 • Transparent hinged cover
ABS 3828 13 G	5880363	378 x 278 x 130	Enclosure, ABS • Grey cover
ABS 3828 18 G	5880373	378 x 278 x 180	Enclosure, ABS • Grey cover
ABS 3828 13 G-2FSH	9996276	378 x 278 x 130	Enclosure, ABS, IP 65 • Grey hinged cover
ABS 3828 18 G-2FSH	9996275	378 x 278 x 180	Enclosure, ABS, IP 65 • Grey hinged cover
ABS 3828 13 T	5880063	378 x 278 x 130	Enclosure, ABS • Transparent cover
ABS 3828 18 T	5880073	378 x 278 x 180	Enclosure, ABS • Transparent cover
ABS 3828 13 T-2FSH	9996269	378 x 278 x 130	Enclosure, ABS, IP 65 • Transparent hinged cover
ABS 3828 18 T-2FSH	9996270	378 x 278 x 180	Enclosure, ABS, IP 65 • Transparent hinged cover

## Accessories

Order symbol	Code	Dimensions	Description
EKPVT	3770552	338 x 238	Mounting plate
EKV 22	3770648	35 x 235	DIN-35 Mounting rail
EKV 32	3770649	35 x 335	DIN-35 Mounting rail
EKPZR	3730141	378 x 278 x 50	Extension frame





# SOLID PC/ABS 5628

558 x 278 PC: IP 66/IP 67, IK 08/IK 09  
ABS: IP 66/IP 67, IK 08

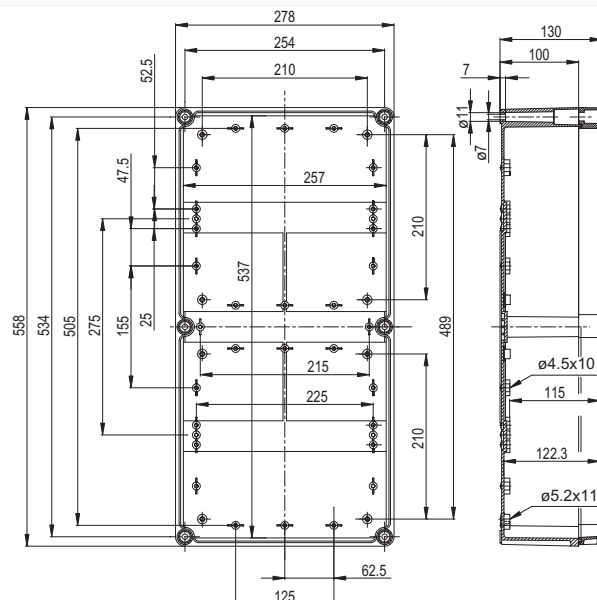
Including: Base with screws for mounting plate/DIN-rail, cover with PUR gasket and polyamide cover screws.

## Enclosures

Order symbol	Code	Dimensions	Description
PC 5628 13 G	5330364	558 x 278 x 130	Enclosure, PC • Grey cover
PC 5628 13 G-3FSH	2539525	558 x 278 x 130	Enclosure, PC, IP 65 • Grey hinged cover
PC 5628 13 T	5330064	558 x 278 x 130	Enclosure, PC • Transparent cover
PC 5628 13 T-3FSH	2539555	558 x 278 x 130	Enclosure, PC, IP 65 • Transparent hinged cover
ABS 5628 13 G	5880364	558 x 278 x 130	Enclosure, ABS • Grey cover
ABS 5628 13 G-3FSH	9880441	558 x 278 x 130	Enclosure, ABS, IP 65 • Grey hinged cover
ABS 5628 13 T	5880064	558 x 278 x 130	Enclosure, ABS • Transparent cover
ABS 5628 13 T-3FSH	9996271	558 x 278 x 130	Enclosure, ABS, IP 65 • Transparent hinged cover

## Accessories

Order symbol	Code	Dimensions	Description
EKTVT	3770553	518 x 238	Mounting plate
EKV 22	3770648	35 x 235	DIN-35 Mounting rail
EKV 50	3770699	35 x 500	DIN-35 Mounting rail
EKTZR	3730142	558 x 278 x 50	Extension frame



# SOLID PC/ABS 5638

558 x 378 PC: IP 66/IP 67, IK 08/IK 09  
ABS: IP 66/IP 67, IK 08

Including: Base with screws for mounting plate/DIN-rail, cover with PUR gasket and polyamide cover screws.

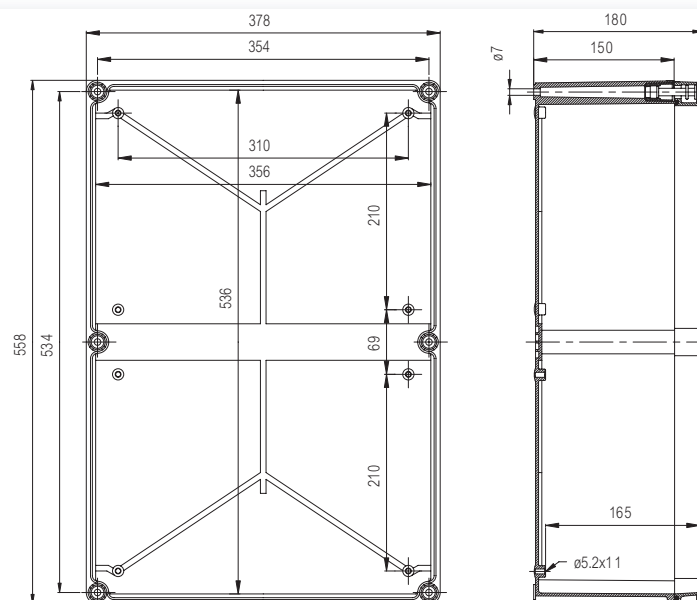


## Enclosures

Order symbol	Code	Dimensions	Description
PC 5638 18 G	5330365	558 x 378 x 180	Enclosure, PC • Grey cover
PC 5638 18 G-3FSH	2539527	558 x 378 x 180	Enclosure, PC, IP 65 • Grey hinged cover
PC 5638 18 T	5330065	558 x 378 x 180	Enclosure, PC • Transparent cover
PC 5638 18 T-3FSH	2539557	558 x 378 x 180	Enclosure, PC, IP 65 • Transparent hinged cover
ABS 5638 18 G	5880365	558 x 378 x 180	Enclosure, ABS • Grey cover
ABS 5638 18 G-3FSH	9880445	558 x 378 x 180	Enclosure, ABS, IP 65 • Grey hinged cover
ABS 5638 18 T	5880065	558 x 378 x 180	Enclosure, ABS • Transparent cover
ABS 5638 18 T-3FSH	9996272	558 x 378 x 180	Enclosure, ABS, IP 65 • Transparent hinged cover

## Accessories

Order symbol	Code	Dimensions	Description
EKUVT	3770554	518 x 338	Mounting plate
EKV 32	3770649	35 x 335	DIN-35 Mounting rail
EKUZR	3730323	558 x 378 x 50	Extension frame



## ACCESSORIES

Order symbol      Code      Description

### Mounting plates (Galvanized steel, sheet thickness 1,5 mm)

EKHVT	3770548	148 x 148
EKJVT	3770549	238 x 148
EKMVT	3770550	338 x 148
EKOVT	3770551	238 x 238
EKPVT	3770552	338 x 238
EKTVT	3770553	518 x 238
EKUVT	3770554	518 x 338

### Mounting plates for kWh-meter

EKPVM2	3770839	338 x 238 • for kWh-meter
EKPVM2P	3771839	338 x 238 • for kWh-meter (polyester)
M6x16	3570678	Mounting screw • for mounting the kWh meter

### DIN-35 Mounting rails (Galvanized steel, rail height 7,5 mm)

EKV 12	3770647	35 x 160
EKV 22	3770648	35 x 235
EKV 32	3770649	35 x 335
EKV 50	3770699	35 x 500

### Mounting rail accessories

MSM PT 5x10	4712049	Mounting screw
MB 10686	3730686	Set of 2 spacers including screws • (15/34 mm)

### DIN rail frames

MS PROF 19	3510840	DIN rail frames
MS PROF 28	3510841	DIN rail frames
MS PROF 38	3510842	DIN rail frames
MS PROF 56	3510843	DIN rail frames
EKT PROF 56	3510844	DIN terminal rail

### Extension frames (Polycarbonate, PUR Gasket)

EKJZR	3730153	278 x 188 x 50
EKMZR	3730152	378 x 188 x 50
EKOZR	3730093	278 x 278 x 50
EKPZR	3730141	378 x 278 x 50
EKTZR	3730142	558 x 278 x 50
EKUZR	3730323	558 x 378 x 50

### Front plates with DIN-openings

FP12-2819	3770765	280 x 190 • 12 modules
FP12-2828	3770756	280 x 280 • 12 modules
FP12x2-2828	3770766	280 x 280 • 2x12 modules
FP12x2-2838	3770769	280 x 380 • 2x12 modules
FP12x3-2838	3770767	280 x 380 • 3x12 modules
FP12x3-2856	3770768	280 x 560 • 3x12 modules

### MB FP88 and MB FP882 spacers

MB FP88	3530764	Distance spacer for front plates
MB FP882	3530771	Distance spacer for front plates
MB 26050	5026050	Cover plate for 12 modules • (1 module = 17,5 mm)
MB 26069SET	5126029	N/PE terminal bracket set • incl. 2 pcs of terminals (16-holes)
MS BAR CLAMP	4712232	Terminal bus-bar clamp, 25 mm <sup>2</sup>
MR 26145	5026145	Terminal bus-bar clamp, 35 mm <sup>2</sup>

### PC front plates for FX20 SET

FX FP 8-2819	3770849	280 x 190 • Blue, thickness 2 mm
FX FP 12-2828	3770850	280 x 280 • Blue, thickness 2 mm
FX FP 2*12-2838	3770851	380 x 280 • Blue, thickness 2 mm
FX FP 3*12-2856	3770852	560 x 280 • Blue, thickness 2 mm



## ACCESSORIES

Order symbol      Code      Description

### Corner stud FX20 SET

FX20 SET	3570791	Corner stud set (4 pcs) • incl. screws
MB 10791	3730791	Corner stud (separate)
MB 10792	3730792	Front plate screw
MS BAR 2+18	4712199	PE/N terminal bus-bar 25+ 10 mm <sup>2</sup>

### PC front plates for MB 60MM bus-bar holder

MB FP 2828	3770853	Blue, thickness 2 mm
MB FP 3828	3770854	Blue, thickness 2 mm
MB FP 5628	3770855	Blue, thickness 2 mm

### 60 MM Bus-Bar

MB 60MM	3532385	Bus-bar holder set • incl. screws and support
MB 10792	3730792	Front plate screw

### Hinges and wall mounting

MB 10622	3530622	PC Hinge set, 1 pair • incl. screws and drill template
MB 10547	3570547	PA Hinge set, 1 pair • incl. screws
EKZKS 1	3570570	Hinge set, metal
MB 10523	3560523	Blind plug for cover corner on hinged side when cover screws are not used
MB 10674	3770674	Wall fastening lug (4 pcs) • incl. screws

### Cover screws

HS 10255	3540255	Wing head • for 30 mm cover
CS 10256	3540256	Cross head • for 30/100 mm cover
SS 10535	3540535	Slotted head (sealable) • for 30 mm cover
SS 10544	3570544	Slotted head (quick-lock) • for 30/100 mm cover
HS 10533	3570533	Wing head (quick-lock) • for 30 mm cover
HS 10532	3570532	Quick-locking wing head (hinged) • for 30 mm cover
MB 10534	3540534	Threaded bushing • to be ordered separately with quick-lock screws
SS 10563	3540563	Cross head • for 80 mm cover
HS 10562	3540562	Wing head • for 80 mm cover
DS 10581	3540581	Triangle head • for 30/80/100 mm cover
MB 10673 SET	3570673	Triangular key • for cover screw DS 10581
SS 10256 N	3510256	Slotted head, Noryl (good chemical resistance) • for 30 mm cover
HS 10255 N	3510255	Wing head, Noryl (good chemical resistance) • for 30 mm cover
SS 10256-4	3544256	Set of 4 cross head screws • for 30/100 mm cover
SS 10256-6	3546256	Set of 6 cross head screws • for 30/100 mm cover
SS 10563-4	3544563	Set of 4 cross head screws • for 80 mm cover

### Spacers for corners of the base

MR 10726	5070726	Spacer 15 mm • M6 self-cutting
MR 10727	5070727	Spacer 20 mm • M6 self-cutting
MR 10728	5070728	Spacer 30 mm • M6 self-cutting
MR 10729	5070729	Spacer 54 mm • M6 self-cutting
HR 10	3570655	Extension for MR spacer • 10 mm, M6/M6
HR 15	3570656	Extension for MR spacer • 15 mm, M6/M6
HR 20	3570657	Extension for MR spacer • 20 mm, M6/M6
HR 30	3570658	Extension for MR spacer • 30 mm, M6/M6

### Spacers for middle mounting pods

FA 12053	4712053	Spacer 14 mm • M5 self-cutting
FA 12052	4712052	Spacer 42 mm • M5 self-cutting

### Key-Lock Set

MB 10597	3570597	Lock and two keys • For 30mm covers only
----------	---------	--



## SOLID technical information

Property	Polycarbonate (PC)	ABS	Confirmity to standards
Ingress Protection (EN 60529)	IP 66/IP 67 IP 65 (FSH)	IP 66/IP 67 IP 65 (FSH)	<b>USA</b> Enclosures for Electrical Equipment PC: UL Type 1, 3, 3S, 4, 4X, 6, 6P or 12; UL File E75645 Vol 1 Sec 2; UL 746C-5VA flame test (UL 50/508) ABS: NEMA 1, 3, 3S, 4, 4X, 6, 6P or 12  <b>Canada</b> Industrial Control Equipment Enclosures for Electrical Equipment/ULc  <b>Europe</b> Empty enclosures for low-voltage switchgear and controlgear assemblies EN 62208:2003 (50298:1998) <b>Europe</b> Safety of Information Technology Equipment EN 60950 RoHS directive 2002/95/EC  <b>Russia</b> GostR - Gost Russian certificate of conformity
Impact Resistance (EN 62262)	IK 08 (side surface) IK 09 (front surface)	IK 08	
Temperature Range Celsius (short term) Fahrenheit	-40° . . .120°C -40° . . .250°F	-40° . . .80°C -40° . . .175°F	
Temperature Range Celsius (continuous) Fahrenheit	-40° . . .80°C -40° . . .175°F	-40° . . .60°C -40° . . .140°F	
Electrical Insulation	Totally insulated ☐	Totally insulated ☐	
Light Grey Parts Colour	RAL 7035 Industry Grey	RAL 7035 Industry Grey	
Transparent Clear PC Cover	Clear transparent	Clear transparent	
Cover Screws	RAL 7035	RAL 7035	
Cover Screws	Polyamide (PA)	Polyamide (PA)	
Gasket	PUR	PUR	
Enclosure Flammability Rating	UL 94-5V	UL 94HB	
Glow Wire Test (IEC 695-2-1) Self -extinguishing (PC)	960°C	650°C	
Non-toxicity	Halogen Free	Halogen Free	
UV resistance	UL 508 720 hours in "Weather- ometer"		
Chemical Resistance *	Good	Good	

Data subject to change without notice.

\* Consult separate raw material data for more detailed information





**FIBOX – Solutions for demanding environments**

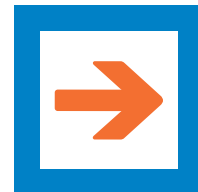


## Fibox MCE

MCE - Modular Component Enclosures offer easy-to-use and practical functionality and design to house automation, control and switch gear components. MCE enclosures can be connected to each other with flange openings to build bigger panels. Cable entries are available in all sides. There are 5, 9, 14, 28 and 42 module options available as stock products. Bigger solutions are available upon request.



# MCE



**Adjustable mounting depth  
for DIN-rail components**



**Multi-cable entry  
with one gland**



**RoHS compliant and  
halogen-free**

## Fibox MCE

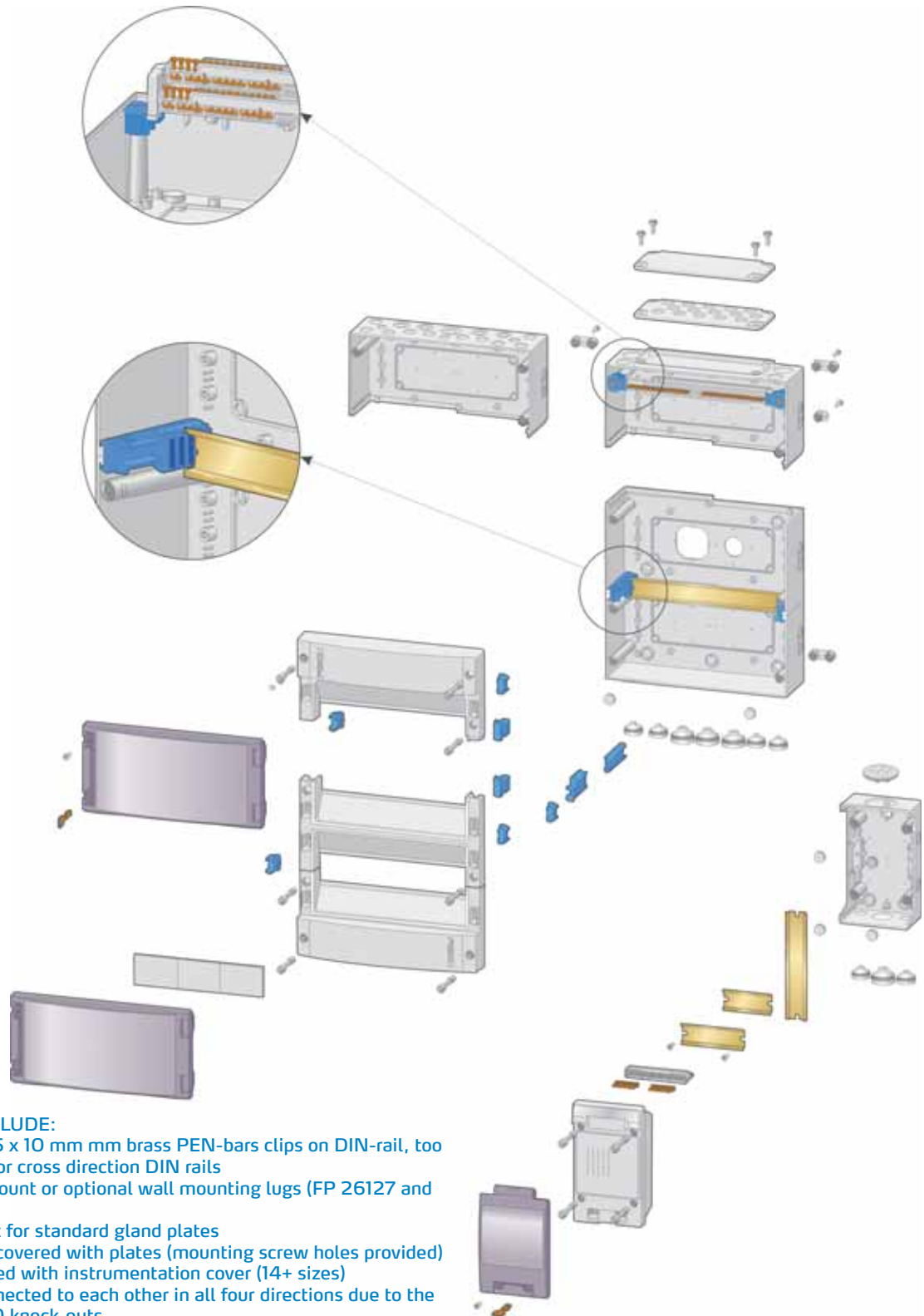
SPACIOUS AND EASY TO WIRE PEN supports are positioned to allow optimum wiring space inside the enclosure. Their position also makes wiring as easy as possible.

DIN rails are mounted away from the base of the enclosure and on units of 14+ modules the position is adjustable.

Large knockouts are provided in the base of the enclosure to accommodate the entry of flush wiring.

EVERY WIRING CONFIGURATION MADE POSSIBLE "MULTI FEM", multi-cable membrane glands, size M50, enable quick and effective entry of 3 x Ø 6-10 mm, 3 x Ø 10-14 mm through one single membrane while maintaining IP65.

In sizes for 14 modules and above many gland plate options are available including blind, metric, PG, threaded, NPT and membrane versions. There are cable entries on five sides of every MCE enclosure and all of them are to the metric standard.



### OTHER FEATURES INCLUDE:

- Terminal holder for 6,5 x 10 mm brass PEN-bars clips on DIN-rail, too
- Extra mounting pods for cross direction DIN rails
- Direct key hole wall mount or optional wall mounting lugs (FP 26127 and FP 26128)
- Size 2/FL 21 knock-out for standard gland plates
- Front aperture can be covered with plates (mounting screw holes provided)
- Window can be replaced with instrumentation cover (14+ sizes)
- Enclosures can be connected to each other in all four directions due to the smooth sides and M20 knock-outs
- Enclosure can be mounted directly on flush mounted junction boxes via purpose designed knock-outs in the bottom of the enclosure



# MCE PC 5

200 x 116

PC: IP 65, IK 08

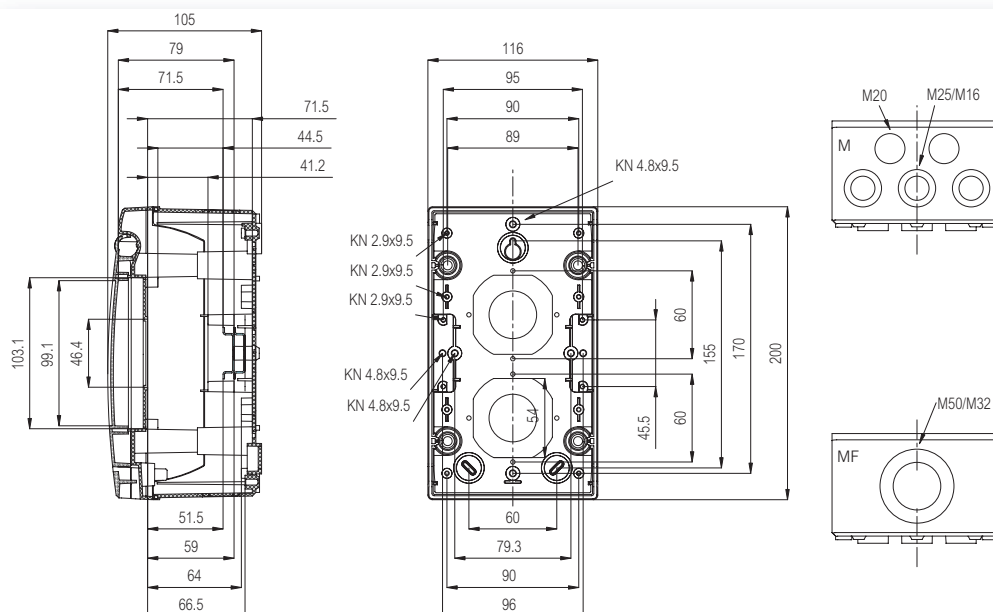
Including: Modular component enclosure with TPE gaskets, mounted DIN 35-rail, two PEN 10 mm<sup>2</sup> bars mounted, Multi-FEM and FEM membrane cable glands, module marking stripe and pocket, wall mount cover plugs and mounting instructions.

## Enclosures

Order symbol	Code	Dimensions	Description
MCE PC 5 MF/M	7215161	200 x 116 x 105	DIN rail modular enclosure, PC

## Accessories

Order symbol	Code	Dimensions	Description
FP 26128	7611218		Fastening lug set ▪ Single
FP 26127	7611217		Fastening lug set ▪ Double



# MCE PC 9

200 x 190

PC: IP 65, IK 08



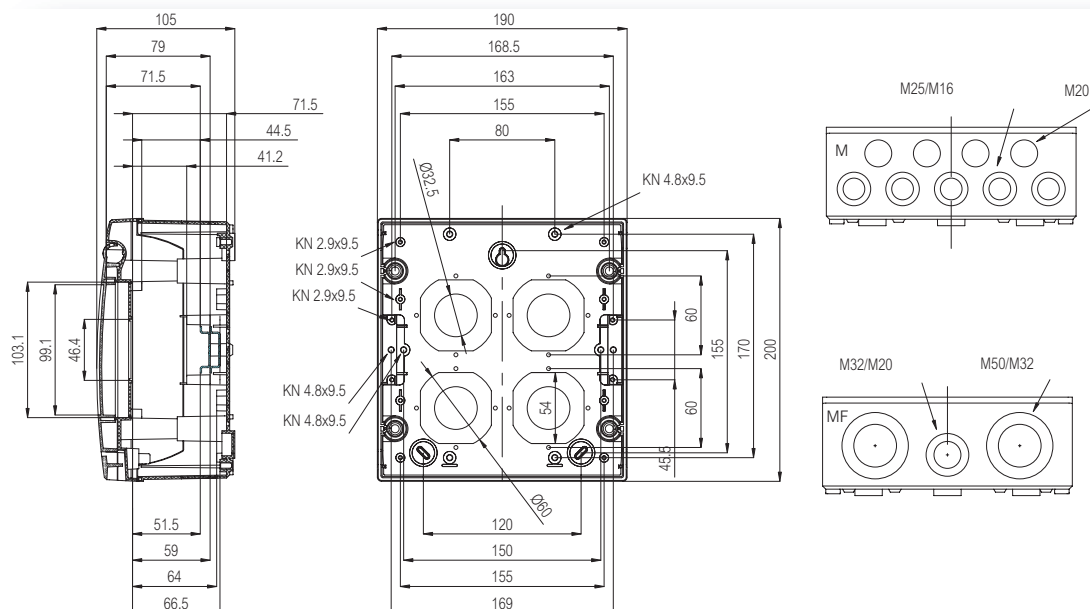
Including: Modular component enclosure with TPE gaskets, mounted DIN 35-rail, two PEN 10 mm2 bars mounted, Multi-FEM and FEM membrane cable glands, module marking stripe and pocket, wall mount cover plugs and mounting instructions.

## Enclosures

Order symbol	Code	Dimensions	Description
MCE PC 9 MF/M	7219171	200 x 190 x 105	DIN rail modular enclosure, PC

## Accessories

Order symbol	Code	Dimensions	Description
FP 26128	7611218		Fastening lug set • Single
FP 26127	7611217		Fastening lug set • Double





# MCE PC 14

280 x 306

PC: IP 65, IK 08

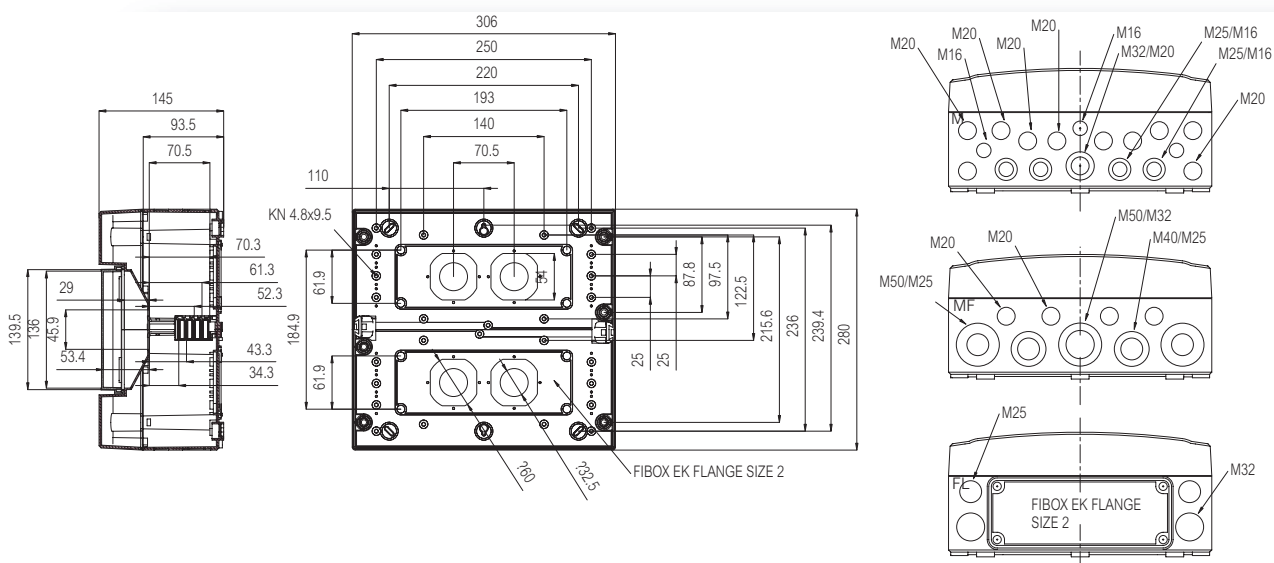
Including: Modular component enclosure with TPE gaskets, mounted DIN 35-rail, two PEN 10 mm<sup>2</sup> bars mounted, Multi-FEM and FEM membrane cable glands, module marking stripe and pocket, wall mount cover plugs and mounting instructions.

## Enclosures

Order symbol	Code	Dimensions	Description
MCE PC 14 MF/M	7211181	280 x 306 x 145	DIN rail modular enclosure, PC
MCE PC 14 MF/FL	7211215	280 x 306 x 145	DIN rail modular enclosure, PC

## Accessories

Order symbol	Code	Dimensions	Description
FP A 26133	7453133	262 x 139	Front plate, aluminium ▪ for MCE 14-42
FP 26128	7611218		Fastening lug set ▪ Single
FP 26127	7611217		Fastening lug set ▪ Double



# MCE PC 28

430 x 306

PC: IP 65, IK 08



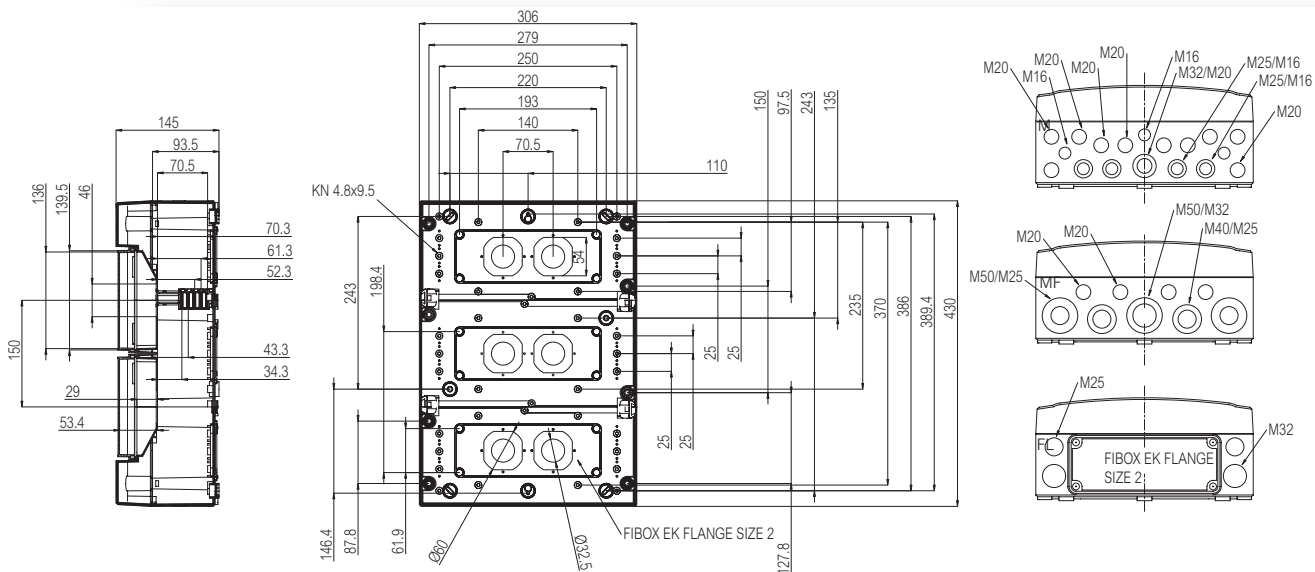
Including: Modular component enclosure with TPE gaskets, mounted DIN 35-rails, three mounted PEN 10 mm<sup>2</sup> bars, Multi-FEM and FEM membrane cable glands, module marking stripes and pockets, wall mount cover plugs and mounting instructions.

## Enclosures

Order symbol	Code	Dimensions	Description
MCE PC 28 MF/M	7212181	430 x 306 x 145	DIN rail modular enclosure, PC
MCE PC 28 MF/FL	7212215	430 x 306 x 145	DIN rail modular enclosure, PC

## Accessories

Order symbol	Code	Dimensions	Description
FP A 26133	7453133	262 x 139	Front plate, aluminium • for MCE 14-42
FP 26128	7611218		Fastening lug set • Single
FP 26127	7611217		Fastening lug set • Double





# MCE PC 42

580 x 306

PC: IP 65, IK 08

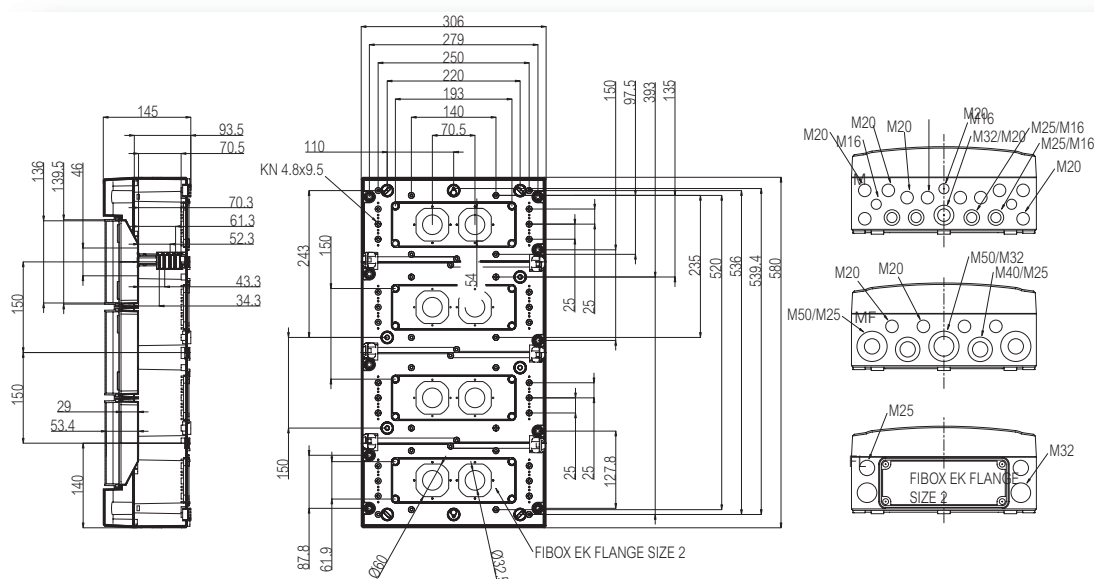
Including: Modular component enclosure with TPE gaskets, mounted DIN 35-rails, three mounted PEN 10 mm<sup>2</sup> bars, Multi-FEM and FEM membrane cable glands, module marking stripes and pockets, wall mount cover plugs and mounting instructions.

## Enclosures

Order symbol	Code	Dimensions	Description
MCE PC 42 MF/M	7214181	580 x 306 x 145	DIN rail modular enclosure, PC
MCE PC 42 MF/FL	7214215	580 x 306 x 145	DIN rail modular enclosure, PC

## Accessories

Order symbol	Code	Dimensions	Description
FP A 26133	7453133	262 x 139	Front plate, aluminium ▪ for MCE 14-42
FP 26128	7611218		Fastening lug set ▪ Single
FP 26127	7611217		Fastening lug set ▪ Double





## ACCESSORIES

Order symbol	Code	Description
<b>Front plate (aluminium, for MCE 14-42)</b>		
FP A 26133	7453133	262 x 139 • for MCE 14-42
<b>Wall mounting and locking</b>		
FP 26128	7611218	Fastening lug set • Single
FP 26127	7611217	Fastening lug set • Double
MB 26146 SET	7611146	Pad locking set
<b>Marking stripes and pockets</b>		
MB 26061	7426061	Marking stripe for MCE 5
MB 26062	7426062	Marking stripe pocket for MCE 5
MB 26063	7426063	Marking stripe for MCE 9
MB 26064	7426064	Marking stripe pocket for MCE 9
MB 26065	7426065	Marking stripe for MCE 14-42
MB 26066	7426066	Marking stripe pocket for MCE 14-42
<b>Terminal bus-bar clamps</b>		
MS BAR CLAMP	4712232	Terminal bus-bar clamp, 25 mm <sup>2</sup>
MR 26145	5026145	Terminal bus-bar clamp, 35 mm <sup>2</sup>
<b>Polyamide sealing plugs</b>		
DP 14553	6314553	Sealing plug for cover screw • Grey
DPS 14553	6300006	Grey sealing plug set • (40 pcs)
<b>Cover plate</b>		
MB 26050	5026050	Cover plate for 12 modules • (1 module = 17,5 mm)



## MCE technical information

Property	Polycarbonate (PC)
Ingress Protection (EN 60529)	IP 65
Impact Resistance (EN 62262)	IK 08
Temperature Range Celsius (short term) Fahrenheit	-40°...120°C -40°...250°F
Temperature Range Celsius (continuous) Fahrenheit	-40°...80°C -40°...175°F
Electrical Insulation	Totally insulated
Light Grey Parts Colour	RAL 7035 Industry Grey
Transparent Clear PC Cover	Smoked Grey
Cover Screws	RAL 7035
Cover Screws	Polyamide (PA)
Gasket	TPE, Thermo Plastic Elastomer
Enclosure Flammability Rating	UL 94-5V
Glow Wire Test (IEC 695-2-1) Self-extinguishing (PC)	960°C
Non-toxicity	Halogen Free
UV resistance	UL 508 720 hours in "Weatherometer"
Chemical Resistance *	Good

Data subject to change without notice.

\*Consult separate raw material data for more detailed information

## Conformity to standards

**USA** Enclosures for Electrical Equipment  
PC: NEMA 1, 3, 3S, 12 or 13; UL 746C-5VA flame test (UL 50/508)

**Canada** Industrial Control Equipment  
Enclosures for Electrical Equipment/ULc

**Europe** Empty enclosures for low-voltage switchgear and controlgear assemblies EN 62208:2003 (50298:1998)

**Europe** Safety of Information Technology Equipment  
EN 60950  
RoHS directive 2002/95/EC

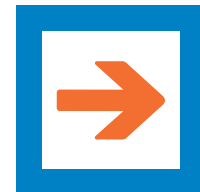
**Russia** GostR - Gost Russian certificate of conformity

## Fibox EK

EK range is ideal for solution for installation type of applications with either single or modular enclosure solutions. EK range is available with flange openings providing several options to use wide selection of accessories or connect enclosures to each other so as to form larger enclosure panel.



# EK



**Modular structure**



**Wide accessory selection**



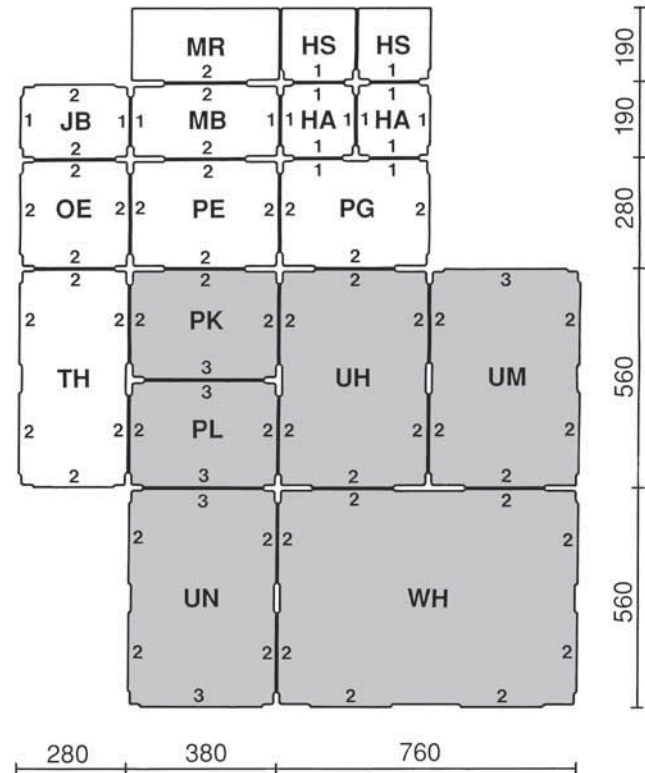
**RoHS compliant and halogen-free**

## Fibox EK

Order symbol	Base dimensions mm
EKHA	190 x 190 x 100
EKHS	190 x 190 x 100
EKJB	280 x 190 x 100
EKMB	380 x 190 x 100
EKMR	380 x 190 x 100
EKOE	280 x 280 x 100
EKPE	380 x 280 x 100
EKPG	380 x 280 x 100
EKPK	380 x 280 x 150
EKPL	380 x 280 x 150
EKTH	560 x 280 x 100
EKUH	560 x 280 x 150
EKUM	560 x 280 x 150
EKUN	560 x 280 x 150
EKWH	760 x 560 x 150

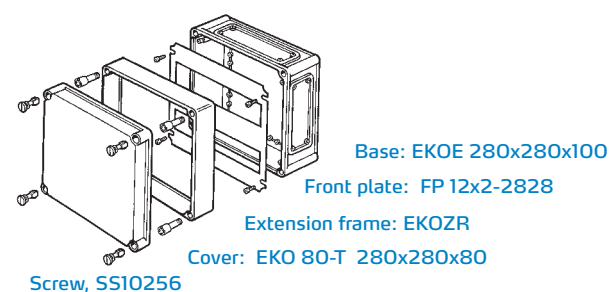
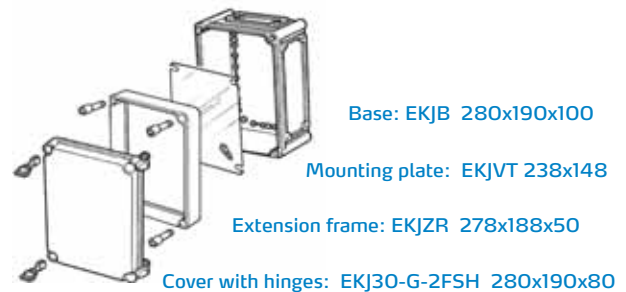


The bases marked with the grey colour have a depth of 150 mm and the others are 100 mm. The number on the bases indicates the size of the flange plate.



### Example of the assembly of one enclosure

The size of the whole enclosure according to the letter:  
The enclosure sized (280x190x230) can be assembled as follows:





**EK**  
**EKH**

**190 x 190 PC: IP 66/IP 67, IK 08/IK 09**  
**FSH: IP 65, IK 08/IK 09**

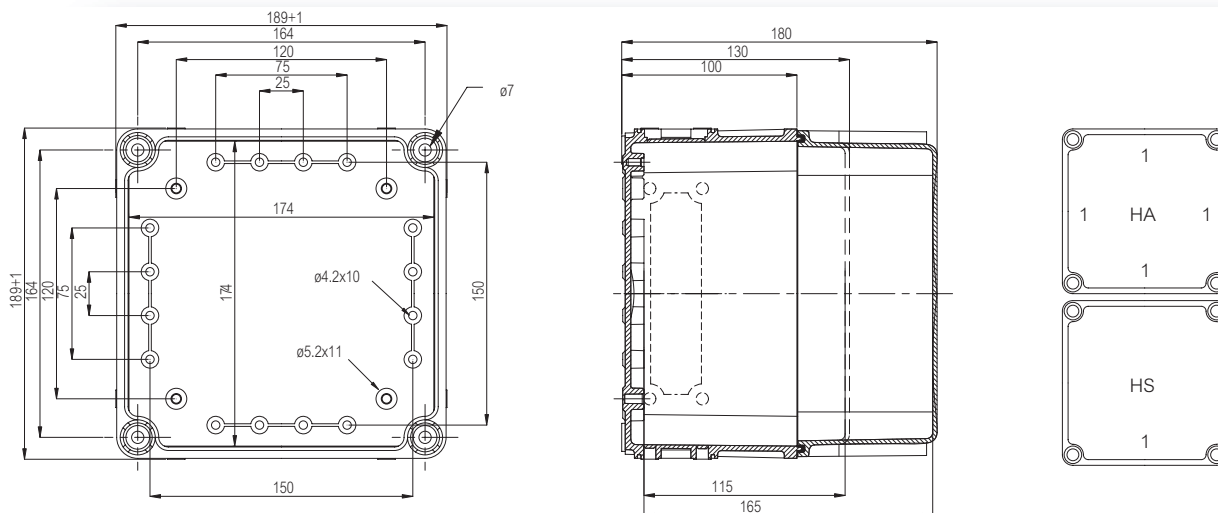
Including: Flanged Base with screws for mounting plate/DIN-rail, cover with PUR gasket and polyamide cover screws.

### Enclosures

Order symbol	Code	Dimensions	Description
EKHA 130 G	2538001	190 x 190 x 130	Enclosure, PC • Grey cover
EKHA 180 G	2538004	190 x 190 x 180	Enclosure, PC • Grey cover
EKHA 130 G-2FSH	9996179	190 x 190 x 130	Enclosure, PC • Grey hinged cover
EKHA 180 G-2FSH	9996183	190 x 190 x 180	Enclosure, PC • Grey hinged cover
EKHA 130 T	2538101	190 x 190 x 130	Enclosure, PC • Transparent cover
EKHA 180 T	2538104	190 x 190 x 180	Enclosure, PC • Transparent cover
EKHA 130 T-2FSH	9996181	190 x 190 x 130	Enclosure, PC • Transparent hinged cover
EKHA 180 T-2FSH	9996185	190 x 190 x 180	Enclosure, PC • Transparent hinged cover
EKHS 130 G	2538007	190 x 190 x 130	Enclosure, PC • Grey cover
EKHS 180 G	2538010	190 x 190 x 180	Enclosure, PC • Grey cover
EKHS 130 G-2FSH	9996180	190 x 190 x 130	Enclosure, PC • Grey hinged cover
EKHS 180 G-2FSH	9996184	190 x 190 x 180	Enclosure, PC • Grey hinged cover
EKHS 130 T	2538107	190 x 190 x 130	Enclosure, PC • Transparent cover
EKHS 180 T	2538110	190 x 190 x 180	Enclosure, PC • Transparent cover
EKHS 130 T-2FSH	9996182	190 x 190 x 130	Enclosure, PC • Transparent hinged cover
EKHS 180 T-2FSH	9996186	190 x 190 x 180	Enclosure, PC • Transparent hinged cover
EKHA	3530139	190 x 190 x 100	Base, PC • Openings; 4x size 1 flange
EKHS	3530543	190 x 190 x 100	Base, PC • Openings; 1x size 1 flange
EKH 30-G	3730147	190 x 190 x 30	Cover • Grey, PC
EKH 80-G	3730555	190 x 190 x 80	Cover • Grey, PC
EKH 30-T	3720147	190 x 190 x 30	Cover • Transparent, PC
EKH 80-T	3720555	190 x 190 x 80	Cover • Transparent, PC

### Accessories

Order symbol	Code	Dimensions	Description
EKHVT	3770548	148 x 148	Mounting plate
EKV 12	3770647	35 x 160	DIN-35 Mounting rail



**EK**  
**EKJ**

**280 x 190 PC: IP 66/IP 67, IK 08/IK 09**  
**FSH: IP 65, IK 08/IK 09**

Including: Flanged Base with screws for mounting plate/DIN-rail, cover with PUR gasket and polyamide cover screws.

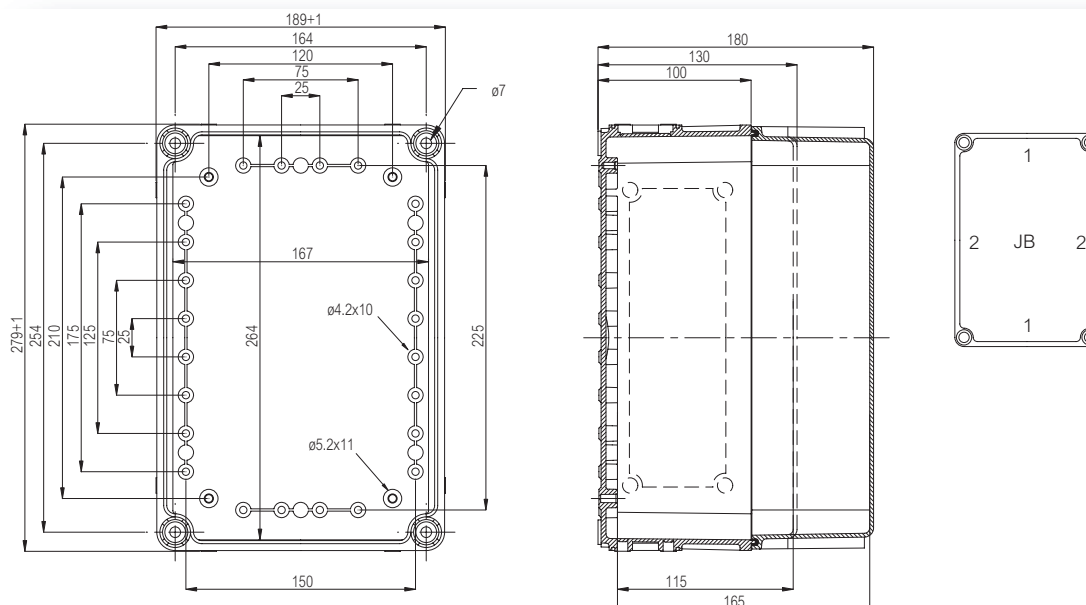


### Enclosures

Order symbol	Code	Dimensions	Description
EKJB 130 G	2538013	280 x 190 x 130	Enclosure, PC ▪ Grey cover
EKJB 180 G	2538016	280 x 190 x 180	Enclosure, PC ▪ Grey cover
EKJB 130 G-2FSH	9996187	280 x 190 x 130	Enclosure, PC ▪ Grey hinged cover
EKJB 180 G-2FSH	9996189	280 x 190 x 180	Enclosure, PC ▪ Grey hinged cover
EKJB 130 T	2538113	280 x 190 x 130	Enclosure, PC ▪ Transparent cover
EKJB 180 T	2538116	280 x 190 x 180	Enclosure, PC ▪ Transparent cover
EKJB 130 T-2FSH	9996188	280 x 190 x 130	Enclosure, PC ▪ Transparent hinged cover
EKJB 180 T-2FSH	9996190	280 x 190 x 180	Enclosure, PC ▪ Transparent hinged cover
EKJB	3530140	280 x 190 x 100	Base, PC ▪ Openings; 2x size 1 flange + 2x size 2 flange
EKJ 30-G	3730146	280 x 190 x 30	Cover ▪ Grey, PC
EKJ 80-G	3730556	280 x 190 x 80	Cover ▪ Grey, PC
EKJ 30-T	3720146	280 x 190 x 30	Cover ▪ Transparent, PC
EKJ 80-T	3720556	280 x 190 x 80	Cover ▪ Transparent, PC

### Accessories

Order symbol	Code	Dimensions	Description
EKJVT	3770549	238 x 148	Mounting plate
EKV 12	3770647	35 x 160	DIN-35 Mounting rail
EKV 22	3770648	35 x 235	DIN-35 Mounting rail
EKJZR	3730153	278 x 188 x 50	Extension frame











# EK EKPK, EKPL

380 x 280 PC: IP 66/IP 67, IK 08/IK 09  
FSH: IP 65, IK 08/IK 09

Including: Flanged Base with screws for mounting plate/DIN-rail, cover with PUR gasket and polyamide cover screws.

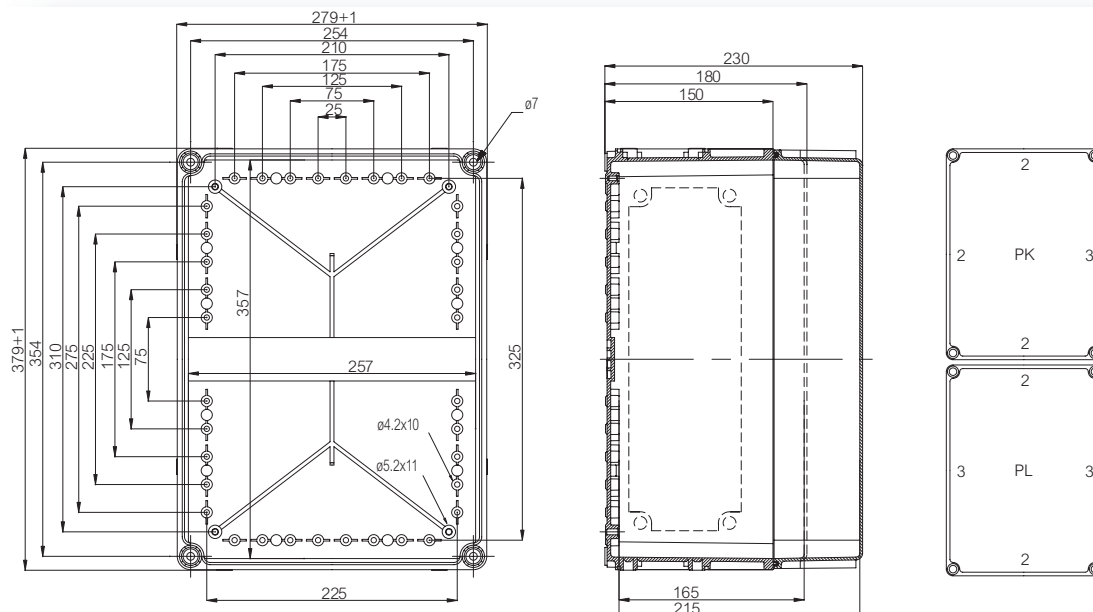


## Enclosures

Order symbol	Code	Dimensions	Description
EKPK 180 G	2538055	380 x 280 x 180	Enclosure, PC ▪ Grey cover
EKPK 230 G	2538058	380 x 280 x 230	Enclosure, PC ▪ Grey cover
EKPK 180 G-2FSH	9996209	380 x 280 x 180	Enclosure, PC ▪ Grey hinged cover
EKPK 230 G-2FSH	9996217	380 x 280 x 230	Enclosure, PC ▪ Grey hinged cover
EKPK 180 T	2538155	380 x 280 x 180	Enclosure, PC ▪ Transparent cover
EKPK 230 T	2538158	380 x 280 x 230	Enclosure, PC ▪ Transparent cover
EKPK 180 T-2FSH	9996213	380 x 280 x 180	Enclosure, PC ▪ Transparent hinged cover
EKPK 230 T-2FSH	9996221	380 x 280 x 230	Enclosure, PC ▪ Transparent hinged cover
EKPL 180 G	2538061	380 x 280 x 180	Enclosure, PC ▪ Grey cover
EKPL 230 G	2538064	380 x 280 x 230	Enclosure, PC ▪ Grey cover
EKPL 180 G-2FSH	9996210	380 x 280 x 180	Enclosure, PC ▪ Grey hinged cover
EKPL 230 G-2FSH	9996218	380 x 280 x 230	Enclosure, PC ▪ Grey hinged cover
EKPL 180 T	2538161	380 x 280 x 180	Enclosure, PC ▪ Transparent cover
EKPL 230 T	2538164	380 x 280 x 230	Enclosure, PC ▪ Transparent cover
EKPL 180 T-2FSH	9996214	380 x 280 x 180	Enclosure, PC ▪ Transparent hinged cover
EKPL 230 T-2FSH	9996222	380 x 280 x 230	Enclosure, PC ▪ Transparent hinged cover
EKPK	3530315	380 x 280 x 150	Base, PC ▪ Openings; 3x size 2 flange + 1x size 3 flange
EKPL	3530316	380 x 280 x 150	Base, PC ▪ Openings; 2x size 2 flange + 2x size 3 flange
EKP 30-G	3730143	380 x 280 x 30	Cover ▪ Grey, PC
EKP 80-G	3730559	380 x 280 x 80	Cover ▪ Grey, PC
EKP 30-T	3720143	380 x 280 x 30	Cover ▪ Transparent, PC
EKP 80-T	3720559	380 x 280 x 80	Cover ▪ Transparent, PC

## Accessories

Order symbol	Code	Dimensions	Description
EKPVT	3770552	338 x 238	Mounting plate
EKV 22	3770648	35 x 235	DIN-35 Mounting rail
EKV 32	3770649	35 x 335	DIN-35 Mounting rail
EKPZR	3730141	378 x 278 x 50	Extension frame





**EK**  
**EKT**

560 x 280 PC: IP 66/IP 67, IK 08/IK 09  
FSH: IP 65, IK 08/IK 09

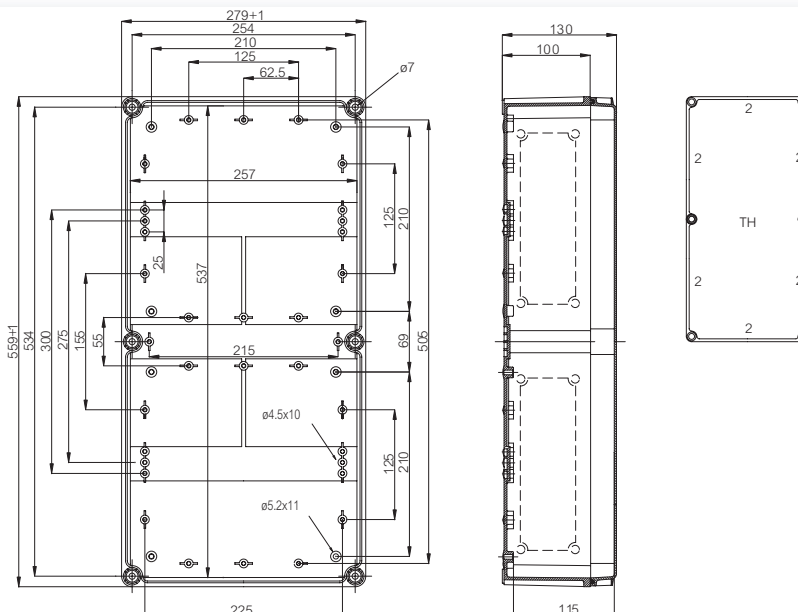
Including: Flanged Base with screws for mounting plate/DIN-rail, cover with PUR gasket and polyamide cover screws.

### Enclosures

Order symbol	Code	Dimensions	Description
EKTH 130 G	2538067	560 x 280 x 130	Enclosure, PC • Grey cover
EKTH 130 G-3FSH	9996223	560 x 280 x 130	Enclosure, PC • Grey hinged cover
EKTH 130 T	2538167	560 x 280 x 130	Enclosure, PC • Transparent cover
EKTH 130 T-3FSH	9996224	560 x 280 x 130	Enclosure, PC • Transparent hinged cover
EKTH	3530132	560 x 280 x 100	Base, PC • Openings; 6x size 2 flange
EKT 30-G	3730144	560 x 280 x 30	Cover • Grey, PC
EKT 30-T	3720144	560 x 280 x 30	Cover • Transparent, PC

### Accessories

Order symbol	Code	Dimensions	Description
EKTVT	3770553	518 x 238	Mounting plate
EKV 22	3770648	35 x 235	DIN-35 Mounting rail
EKV 50	3770699	35 x 500	DIN-35 Mounting rail
EKTZR	3730142	558 x 278 x 50	Extension frame



# EK EKU

560 x 380 PC: IP 66/IP 67, IK 08/IK 09  
FSH: IP 65, IK 08/IK 09

Including: Flanged Base with screws for mounting plate/DIN-rail, cover with PUR gasket and polyamide cover screws.

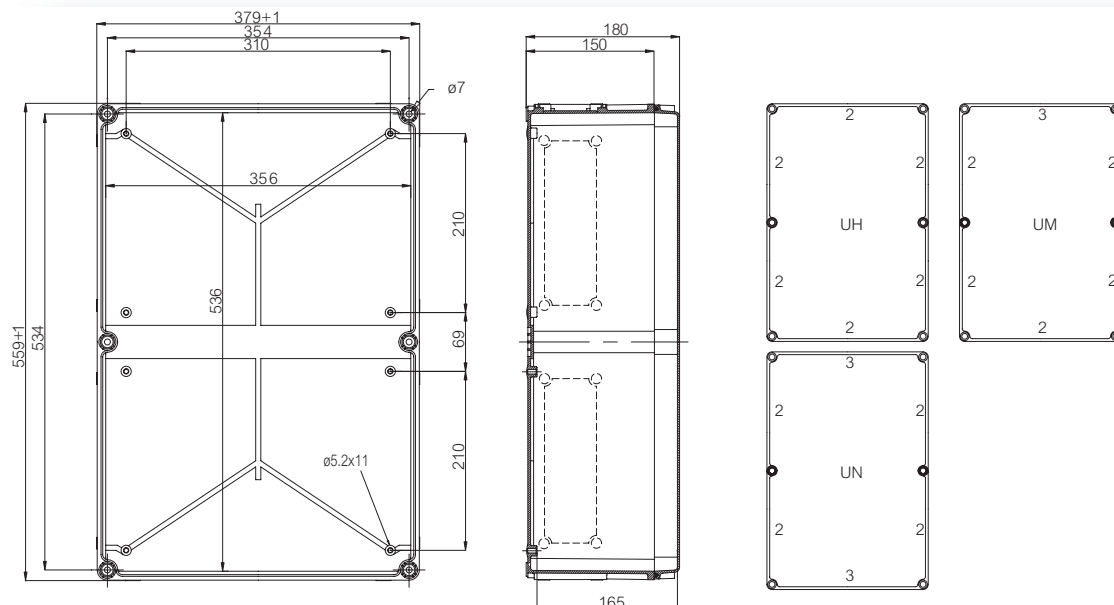


## Enclosures

Order symbol	Code	Dimensions	Description
EKUH 180 G	2538073	560 x 380 x 180	Enclosure, PC ▪ Grey cover
EKUH 180 G-3FSH	9996225	560 x 380 x 180	Enclosure, PC ▪ Grey hinged cover
EKUH 180 T	2538173	560 x 380 x 180	Enclosure, PC ▪ Transparent cover
EKUH 180 T-3FSH	9996228	560 x 380 x 180	Enclosure, PC ▪ Transparent hinged cover
EKUM 180 G	2538079	560 x 380 x 180	Enclosure, PC ▪ Grey cover
EKUM 180 G-3FSH	9996226	560 x 380 x 180	Enclosure, PC ▪ Grey hinged cover
EKUM 180 T	2538179	560 x 380 x 180	Enclosure, PC ▪ Transparent cover
EKUM 180 T-3FSH	9996229	560 x 380 x 180	Enclosure, PC ▪ Transparent hinged cover
EKUN 180 G	2538085	560 x 380 x 180	Enclosure, PC ▪ Grey cover
EKUN 180 G-3FSH	9996227	560 x 380 x 180	Enclosure, PC ▪ Grey hinged cover
EKUN 180 T	2538185	560 x 380 x 180	Enclosure, PC ▪ Transparent cover
EKUN 180 T-3FSH	9996230	560 x 380 x 180	Enclosure, PC ▪ Transparent hinged cover
EKUM	3530319	560 x 380 x 150	Base, PC ▪ Openings; 5x size 2 flange + 1x size 3 flange
EKUH	3530317	560 x 380 x 150	Base, PC ▪ Openings; 6x size 2 flange
EKUN	3530318	560 x 380 x 150	Base, PC ▪ Openings; 4x size 2 flange + 2x size 3 flange
EKU 30-G	3730320	560 x 380 x 30	Cover ▪ Grey, PC
EKU 30-T	3720320	560 x 380 x 30	Cover ▪ Transparent, PC

## Accessories

Order symbol	Code	Dimensions	Description
EKUVT	3770554	518 x 338	Mounting plate
EKV 32	3770649	35 x 335	DIN-35 Mounting rail
EKUZR	3730323	558 x 378 x 50	Extension frame





**EK**  
**EKW**

760 x 560

PC: IP 66, IK 08/IK 09

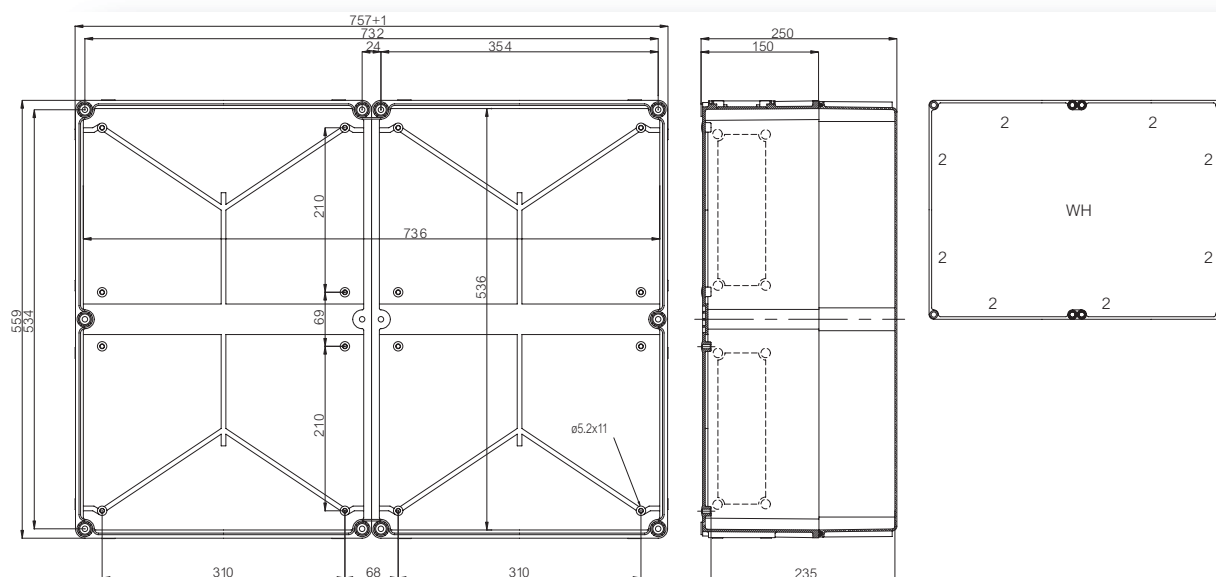
Including: Flanged Base with screws for mounting plate/DIN-rail, cover with EPDM gasket and polyamide cover screws.

### Enclosures

Order symbol	Code	Dimensions	Description
EKWH 250 G	2538090	760 x 560 x 250	Enclosure, PC • Grey cover
EKWH	3530627	760 x 560 x 150	Base, PC • Openings; 8x size 2 flange
EKW 100-G	3730630	760 x 560 x 100	Cover • Grey, PC

### Accessories

Order symbol	Code	Dimensions	Description
EKUVT	3770554	518 x 338	Mounting plate



## ACCESSORIES

Order symbol	Code	Description
--------------	------	-------------

### Mounting plates (Galvanized steel, sheet thickness 1,5 mm)

EKHVT	3770548	148 x 148
EKJVT	3770549	238 x 148
EKMVT	3770550	338 x 148
EKOVT	3770551	238 x 238
EKPVT	3770552	338 x 238
EKTVT	3770553	518 x 238
EKUVT	3770554	518 x 338

### Mounting plates for kWh-meter

EKPVM2	3770839	338 x 238 • for kWh-meter
EKPVM2P	3771839	338 x 238 • for kWh-meter (polyester)
M6x16	3570678	Mounting screw • for mounting the kWh meter

### DIN-35 Mounting rails (Galvanized steel, rail height 7,5 mm)

EKV 12	3770647	35 x 160
EKV 22	3770648	35 x 235
EKV 32	3770649	35 x 335
EKV 50	3770699	35 x 500

### Mounting rail accessories

MSM PT 5x10	4712049	Mounting screw
MB 10686	3730686	Set of 2 spacers including screws • (15/34 mm)

### DIN rail frames

MS PROF 19	3510840	DIN rail frames
MS PROF 28	3510841	DIN rail frames
MS PROF 38	3510842	DIN rail frames
MS PROF 56	3510843	DIN rail frames
EKT PROF 56	3510844	DIN terminal rail

### Extension frames (Polycarbonate, PUR Gasket)

EKJZR	3730153	278 x 188 x 50
EKMZR	3730152	378 x 188 x 50
EKOZR	3730093	278 x 278 x 50
EKPZR	3730141	378 x 278 x 50
EKTZR	3730142	558 x 278 x 50
EKUZR	3730323	558 x 378 x 50

### Front plates with DIN-openings

FP12-2819	3770765	280 x 190 • 12 modules
FP12-2828	3770756	280 x 280 • 12 modules
FP12x2-2828	3770766	280 x 280 • 2x12 modules
FP12x2-2838	3770769	280 x 380 • 2x12 modules
FP12x3-2838	3770767	280 x 380 • 3x12 modules
FP12x3-2856	3770768	280 x 560 • 3x12 modules

### MB FP88 and MB FP882 spacers

MB FP88	3530764	Distance spacer for front plates
MB FP882	3530771	Distance spacer for front plates
MB 26050	5026050	Cover plate for 12 modules • (1 module = 17,5 mm)
MB 26069SET	5126029	N/PE terminal bracket set • incl. 2 pcs of terminals (16-holes)
MS BAR CLAMP	4712232	Terminal bus-bar clamp, 25 mm <sup>2</sup>
MR 26145	5026145	Terminal bus-bar clamp, 35 mm <sup>2</sup>

### PC front plates for FX20 SET

FX FP 8-2819	3770849	280 x 190 • Blue, thickness 2 mm
FX FP 12-2828	3770850	280 x 280 • Blue, thickness 2 mm
FX FP 2*12-2838	3770851	380 x 280 • Blue, thickness 2 mm
FX FP 3*12-2856	3770852	560 x 280 • Blue, thickness 2 mm

### Corner stud FX20 SET

FX20 SET	3570791	Corner stud set (4 pcs) • incl. screws
MB 10791	3730791	Corner stud (separate)
MB 10792	3730792	Front plate screw
MS BAR 2+18	4712199	PE/N terminal bus-bar 25+ 10 mm <sup>2</sup>



## ACCESSORIES

Order symbol      Code      Description

### PC front plates for MB 60MM bus-bar holder

MB FP 2828	3770853	280 x 280 ▪ Blue, thickness 2 mm
MB FP 3828	3770854	380 x 280 ▪ Blue, thickness 2 mm
MB FP 5628	3770855	560 x 280 ▪ Blue, thickness 2 mm

### 60 MM Bus-Bar

MB 60MM	3532385	Bus-bar holder set ▪ incl. screws and support
MB 10792	3730792	Front plate screw

### Hinges and wall mounting

MB 10622	3530622	PC Hinge set, 1 pair ▪ incl. screws and drill template
MB 10547	3570547	PA Hinge set, 1 pair ▪ incl. screws
EKZKS 1	3570570	Hinge set, metal
MB 10523	3560523	Blind plug for cover corner on hinged side when cover screws are not used
MB 10674	3770674	Wall fastening lug (4 pcs) ▪ incl. screws

### Cover screws

HS 10255	3540255	Wing head ▪ for 30 mm cover
CS 10256	3540256	Cross head ▪ for 30/100 mm cover
SS 10535	3540535	Slotted head (sealable) ▪ for 30 mm cover
SS 10544	3570544	Slotted head (quick-lock) ▪ for 30/100 mm cover
HS 10533	3570533	Wing head (quick-lock) ▪ for 30 mm cover
HS 10532	3570532	Quick-locking wing head (hinged) ▪ for 30 mm cover
MB 10534	3540534	Threaded bushing ▪ to be ordered separately with quick-lock screws
SS 10563	3540563	Cross head ▪ for 80 mm cover
HS 10562	3540562	Wing head ▪ for 80 mm cover
DS 10581	3540581	Triangle head ▪ for 30/80/100 mm cover
MB 10673 SET	3570673	Triangular key ▪ for cover screw DS 10581
SS 10256 N	3510256	Slotted head, Noryl (good chemical resistance) ▪ for 30 mm cover
HS 10255 N	3510255	Wing head, Noryl (good chemical resistance) ▪ for 30 mm cover
SS 10256-4	3544256	Set of 4 cross head screws ▪ for 30/100 mm cover
SS 10256-6	3546256	Set of 6 cross head screws ▪ for 30/100 mm cover
SS 10563-4	3544563	Set of 4 cross head screws ▪ for 80 mm cover

### Spacers for corners of the base

MR 10726	5070726	Spacer 15 mm ▪ M6 self-cutting
MR 10727	5070727	Spacer 20 mm ▪ M6 self-cutting
MR 10728	5070728	Spacer 30 mm ▪ M6 self-cutting
MR 10729	5070729	Spacer 54 mm ▪ M6 self-cutting
HR 10	3570655	Extension for MR spacer ▪ 10 mm, M6/M6
HR 15	3570656	Extension for MR spacer ▪ 15 mm, M6/M6
HR 20	3570657	Extension for MR spacer ▪ 20 mm, M6/M6
HR 30	3570658	Extension for MR spacer ▪ 30 mm, M6/M6

### Spacers for middle mounting pods

FA 12053	4712053	Spacer 14 mm ▪ M5 self-cutting
FA 12052	4712052	Spacer 42 mm ▪ M5 self-cutting

### Key-Lock Set

MB 10597	3570597	Lock and two keys ▪ For 30mm covers only
----------	---------	--

### Connecting enclosures

MB 10671	3570671	Connector set, size 1 ▪ incl. 4 screws
MB 10670	3570670	Connector set, size 2 ▪ incl. 4 screws
MB 10672	3570672	Connector set, size 3 ▪ incl. 4 screws
MB 10472	3570472	Plastic head screw (M6x30) for the assembly of bases ▪ with size 1 opening
MB 10474	3570474	Plastic head screw (M8x30) for the assembly of bases ▪ with size 2 opening
M-6	3570576	Lock nut for plastic head screws ▪ (Size M6)
M-8	3570577	Lock nut for plastic head screws ▪ (Size M8)

### Base connectors

MB 10717	3530717	Connection bridge and gasket ▪ size 2
MB 10718	3530718	Connection bridge and gasket ▪ size 3

### Fastening of big systems

EKZK1	3570573	Connecting rail ▪ standard length 2000 mm
EKSZY2	3570572	Stud rail ▪ standard length 2000 mm
EKZKH1	3570613	Sleeve lock for connecting rail



## ACCESSORIES

Order symbol	Code	Description
--------------	------	-------------

### Plates and connectors (More products on Cable Management section)

MB 10215	3530215	Cover plate • size 1
MB 10546	3530546	Cover plate • size 2

### Metric flange plates

MB 10862	3530862	Size 2 • 2xM16+3xM20+2xM25+2xM32, PUR gasket
MB 10857	3530857	Size 2 • 4xM12+4xM12/M20+4xM16/M25

### PG Flange plates

MB 10014	3530014	Size 2 • 12x PG16
MB 10596	3530596	Size 2 • 4x PG11/21+7x PG16

### Membrane flange plates

FMB 5F	3550794	Size 1, Lead-through 8 (Ø2.5-25mm) • Optional RJ-45 lead-through
FMC 25F	3550796	Size 2, Lead-through 29 (Ø3-26mm) • Optional RJ-45 lead-through

### Connector sets

MB 10671	3570671	Connector set, size 1 • incl. 4 screws
MB 10670	3570670	Connector set, size 2 • incl. 4 screws

### Flange gaskets

MK 10437	3510437	Flange gasket • size 1
MK 10438	3510438	Flange gasket • size 2

## EK technical information

Property	Polycarbonate (PC)
Ingress Protection (EN 60529)	IP 66/IP 67 IP 65 (FSH)
Impact Resistance (EN 62262)	IK 08 (side surface) IK 09 (front surface)
Temperature Range Celsius (short term) Fahrenheit	-40° . . .120°C -40° . . .250°F
Temperature Range Celsius (continuous) Fahrenheit	-40° . . .80°C -40° . . .175°F
Electrical Insulation	Totally insulated ☑
Light Grey Parts Colour	RAL 7035 Industry Grey
Transparent Clear PC Cover	Clear transparent
Cover Screws	RAL 7035
Cover Screws	Polyamide (PA)
Gasket	PUR/EPDM
Enclosure Flammability Rating	UL 94-5V
Glow Wire Test (IEC 695-2-1) Self-extinguishing (PC)	960°C
Non-toxicity	Halogen Free
UV resistance	UL 508 720 hours in "Weatherometer"
Chemical Resistance *	Good

### Confirmity to standards

**USA** Enclosures for Electrical Equipment  
PC: UL Type 1, 3, 3S, 4, 4X, 6, 6P or 12; UL File E75645  
Vol 1 Sec 2; UL 746C-5VA flame test (UL 50/508)

**Canada** Industrial Control Equipment  
Enclosures for Electrical Equipment/ULc

**Europe** Empty enclosures for low-voltage switchgear and  
controlgear assemblies EN 62208:2003 (50298:1998)

**Europe** Safety of Information Technology Equipment  
EN 60950

RoHS directive 2002/95/EC

**Russia** GostR - Gost Russian certificate of conformity

Data subject to change without notice.

\*Consult separate raw material data for more detailed information

## Fibox CAB

CAB wall mounting cabinets are manufactured of high impact resistance polycarbonate or ABS withstanding harsh industrial and outdoor environments. These cabinets are produced with hinged covers. Transparent cover options allow easy viewing of installed equipment and indicators. Glass fibre reinforced polyester cabinets are also available.



# CAB



**Adjustable depth for front panel**



**Impact resistant design**



**RoHS compliant and halogen-free**



# CAB PC/ABS 1515

150 x 150

PC: IP 65, IK 08  
ABS: IP 65, IK 08



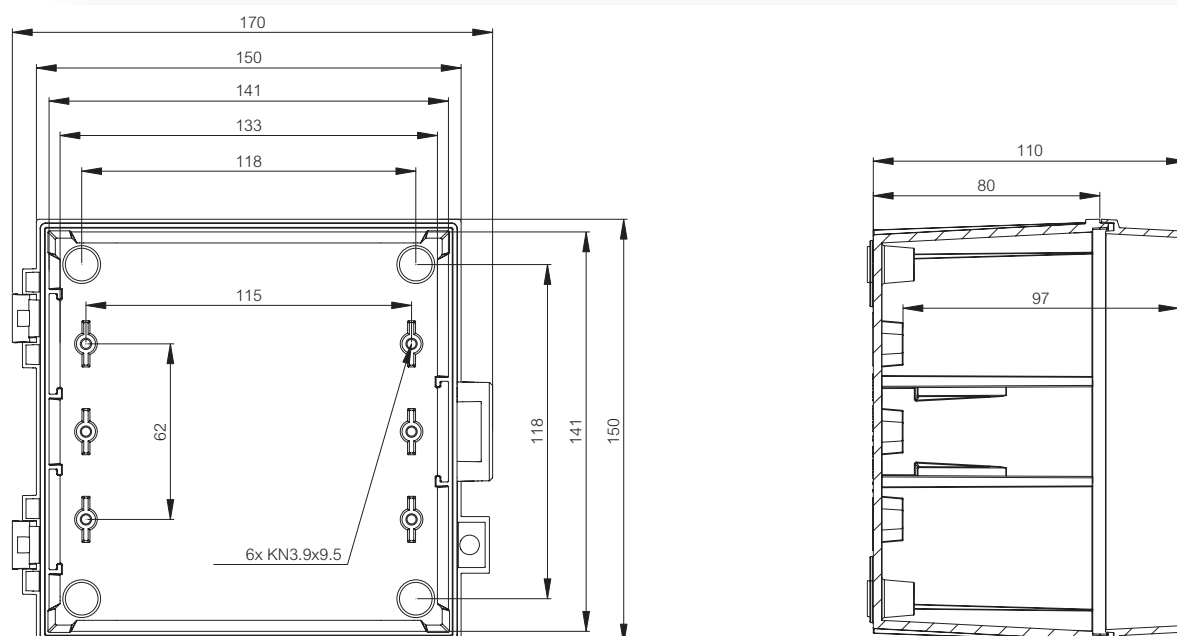
Including: Cabinet base, door with EPDM gasket, latches, screws for mounting plate/DIN-rail and corner plugs.

## Enclosures

Order symbol	Code	Dimensions	Description
CAB PC 151511 G	8113320	150 x 150 x 110	Cabinet, PC, Grey door • Latch on the short side
CAB PC 151511 T	8113020	150 x 150 x 110	Cabinet, PC, Smoked transparent door • Latch on the short side
CAB ABS 151511 G	8183320	150 x 150 x 110	Cabinet, ABS, Grey door • Latch on the short side
CAB ABS 151511 T	8183020	150 x 150 x 110	Cabinet, ABS, Smoked transparent door • Latch on the short side

## Accessories

Order symbol	Code	Dimensions	Description
EKIV 15	4712462	150 x 150	Mounting plate
TRH 15	9822021	35 x 122	DIN-35 Mounting rail





# CAB PC/ABS 2030

300 x 200

PC: IP 65, IK 08  
ABS: IP 65, IK 08

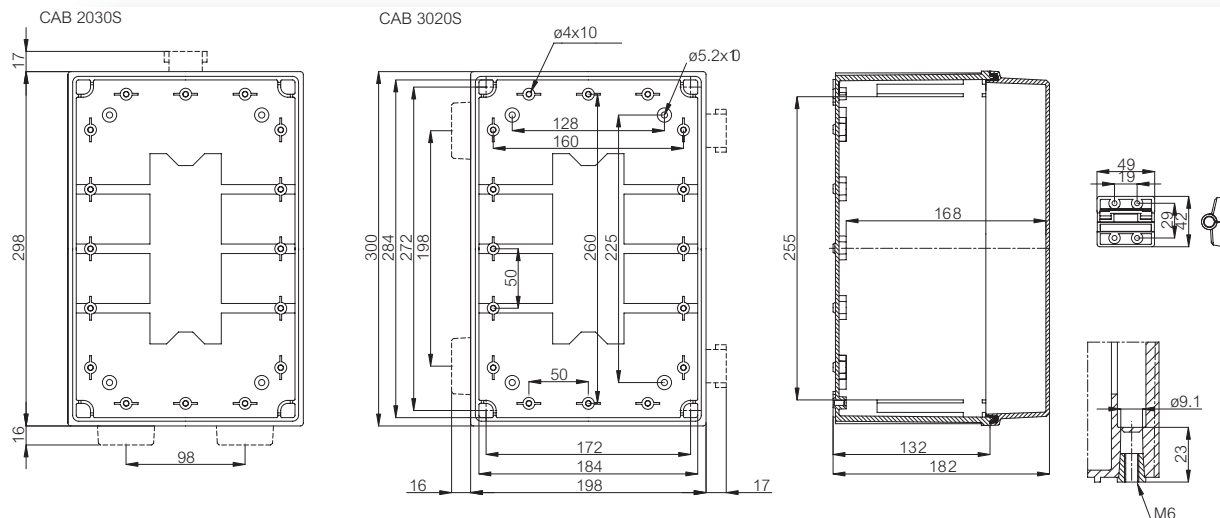
Including: Cabinet base, door with EPDM gasket, latches, screws for mounting plate/DIN-rail and corner plugs. 3B-versions: Cabinet base, door with EPDM gasket, 3mm double bit lock(s) with key, screws for mounting plate/DIN-rail and corner plugs.

## Enclosures

Order symbol	Code	Dimensions	Description
CAB PC 203018 G	8113331	300 x 200 x 180	Cabinet, PC, Grey door ▪ Latch on the short side
CAB PC 302018 G	8113330	300 x 200 x 180	Cabinet, PC, Grey door ▪ Latches on the long side
CAB PC 302018 G3B	8113332	300 x 200 x 180	Cabinet, PC, Grey door ▪ Lock on the long side
CAB PC 203018 T	8113031	300 x 200 x 180	Cabinet, PC, Smoked transparent door ▪ Latch on the short side
CAB PC 302018 T	8113030	300 x 200 x 180	Cabinet, PC, Smoked transparent door ▪ Latches on the long side
CAB PC 302018 T3B	8113032	300 x 200 x 180	Cabinet, PC, Smoked transparent door ▪ Lock on the long side
CAB ABS 203018 G	8183331	300 x 200 x 180	Cabinet, ABS, Grey door ▪ Latch on the short side
CAB ABS 302018 G	8183330	300 x 200 x 180	Cabinet, ABS, Grey door ▪ Latches on the long side
CAB ABS 302018 G3B	8183332	300 x 200 x 180	Cabinet, ABS, Grey door ▪ Lock on the long side
CAB ABS 203018 T	8183031	300 x 200 x 180	Cabinet, ABS, Smoked transparent door ▪ Latch on the short side
CAB ABS 302018 T	8183030	300 x 200 x 180	Cabinet, ABS, Smoked transparent door ▪ Latches on the long side
CAB ABS 302018 T3B	8183032	300 x 200 x 180	Cabinet, ABS, Smoked transparent door ▪ Lock on the long side

## Accessories

Order symbol	Code	Dimensions	Description
EKIV 23	4712117	170 x 270	Mounting plate
EKIV 17	4712126	35 x 166	DIN-35 Mounting rail
EKIV 27	4712127	35 x 266	DIN-35 Mounting rail
FP A 23	8392226	166 x 268	Swing-out door/Front plate (aluminium)
MB 12225 AL	8390007		Swing door set ▪ for aluminium front plates
FP 23	8392285	268 x 176	Front plate ▪ Black
FP 12-23	8392218	178 x 278	Front plate ▪ 12 modules
DRF 23	4712200		DIN rail frame set ▪ incl. a pair of metal profile bar, mounting screws and front plate holders
DRF 33	4712205		DIN rail frame set ▪ incl. a pair of metal profile bar, mounting screws and front plate holders



# CAB

## PC/ABS 3030

300 x 300

PC: IP 65, IK 08  
ABS: IP 65, IK 08

Including: Cabinet base, door with EPDM gasket, latches, screws for mounting plate/DIN-rail and corner plugs. 3B-versions: Cabinet base, door with EPDM gasket, 3mm double bit lock(s) with key, screws for mounting plate/DIN-rail and corner plugs.

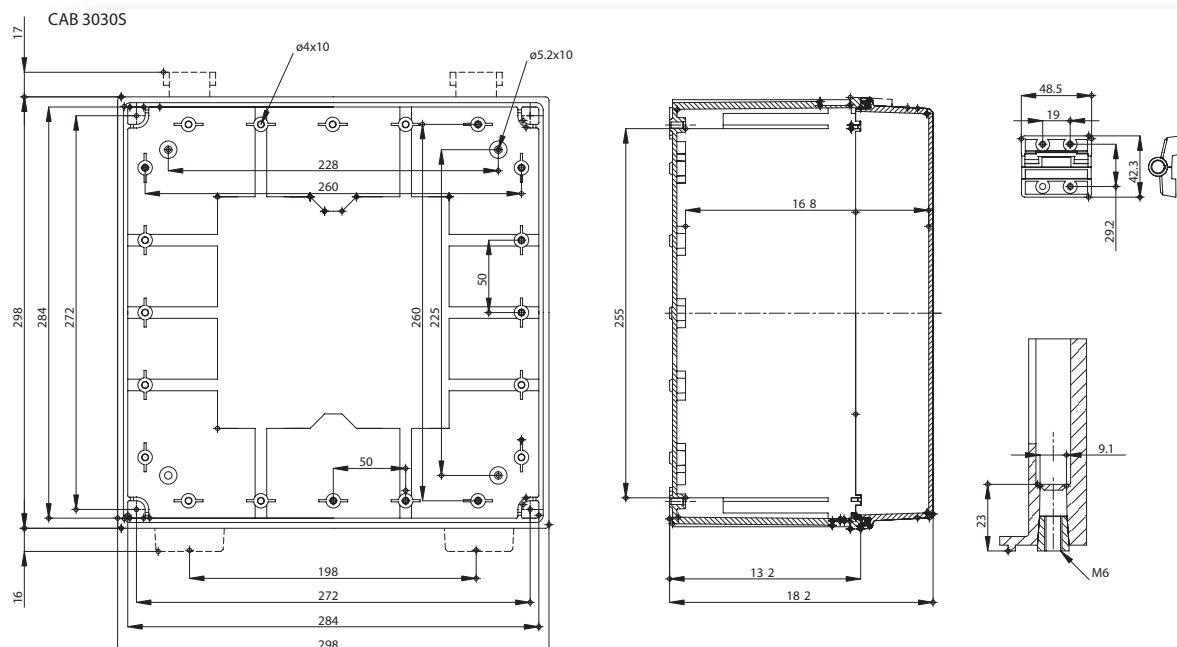


### Enclosures

Order symbol	Code	Dimensions	Description
CAB PC 303018 G	8113340	300 x 300 x 180	Cabinet, PC, Grey door ▪ Latches on the long side
CAB PC 303018 G3B	8113342	300 x 300 x 180	Cabinet, PC, Grey door ▪ Lock on the long side
CAB PC 303018 T	8113040	300 x 300 x 180	Cabinet, PC, Smoked transparent door ▪ Latches on the long side
CAB PC 303018 T3B	8113042	300 x 300 x 180	Cabinet, PC, Smoked transparent door ▪ Lock on the long side
CAB ABS 303018 G	8183340	300 x 300 x 180	Cabinet, ABS, Grey door ▪ Latches on the long side
CAB ABS 303018 G3B	8183342	300 x 300 x 180	Cabinet, ABS, Grey door ▪ Lock on the long side
CAB ABS 303018 T	8183040	300 x 300 x 180	Cabinet, ABS, Smoked transparent door ▪ Latches on the long side
CAB ABS 303018 T3B	8183042	300 x 300 x 180	Cabinet, ABS, Smoked transparent door ▪ Lock on the long side

### Accessories

Order symbol	Code	Dimensions	Description
EKIV 33	4712118	270 x 270	Mounting plate
EKIV 27	4712127	35 x 266	DIN-35 Mounting rail
FP A 33	8392227	266 x 268	Swing-out door/Front plate (aluminium)
MB 12225 AL	8390007		Swing door set ▪ for aluminium front plates
FP 33	8392305	276 x 268	Front plate ▪ Black
FP 12-33	8392219	278 x 278	Front plate ▪ 12 modules
FP 12x2-33	8392220	278 x 278	Front plate ▪ 2x12 modules
DRF 33	4712205		DIN rail frame set ▪ incl. a pair of metal profile bar, mounting screws and front plate holders





# CAB PC/ABS 3040

400 x 300

PC: IP 65, IK 08  
ABS: IP 65, IK 08

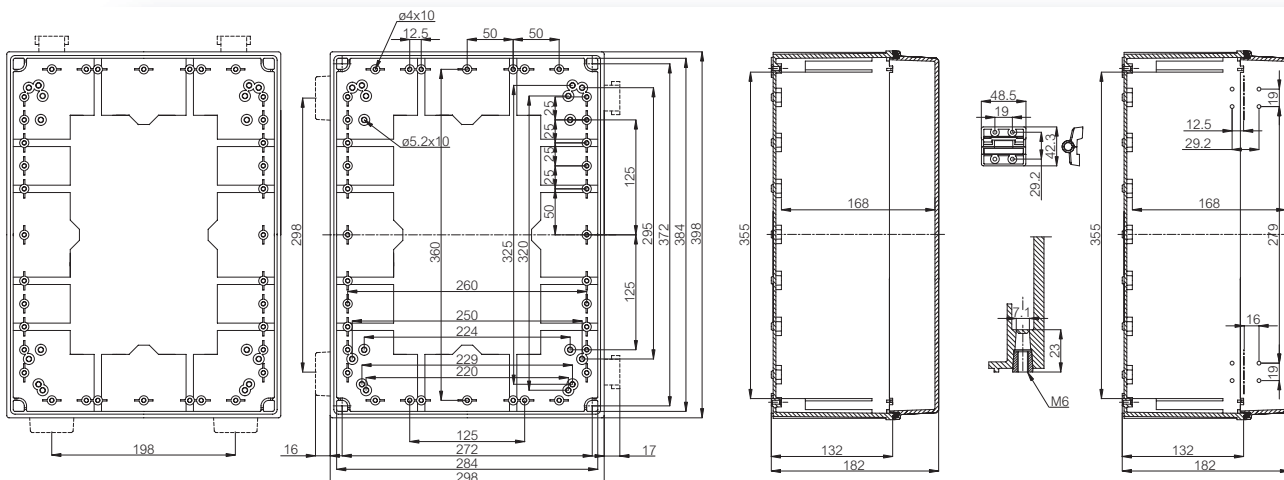
Including: Cabinet base, door with EPDM gasket, latches, screws for mounting plate/DIN-rail and corner plugs. 3B-versions: Cabinet base, door with EPDM gasket, 3mm double bit lock(s) with key, screws for mounting plate/DIN-rail and corner plugs.

## Enclosures

Order symbol	Code	Dimensions	Description
CAB PC 304018 G	8113351	400 x 300 x 180	Cabinet, PC, Grey door ▪ Latches on the short side
CAB PC 403018 G	8113350	400 x 300 x 180	Cabinet, PC, Grey door ▪ Latches on the long side
CAB PC 403018 G3B	8113352	400 x 300 x 180	Cabinet, PC, Grey door ▪ Locks on the long side
CAB PC 304018 T	8113051	400 x 300 x 180	Cabinet, PC, Smoked transparent door ▪ Latches on the short side
CAB PC 403018 T	8113050	400 x 300 x 180	Cabinet, PC, Smoked transparent door ▪ Latches on the long side
CAB PC 403018 T3B	8113052	400 x 300 x 180	Cabinet, PC, Smoked transparent door ▪ Locks on the long side
CAB ABS 304018 G	8183351	400 x 300 x 180	Cabinet, ABS, Grey door ▪ Latches on the short side
CAB ABS 403018 G	8183350	400 x 300 x 180	Cabinet, ABS, Grey door ▪ Latches on the long side
CAB ABS 403018 G3B	8183352	400 x 300 x 180	Cabinet, ABS, Grey door ▪ Locks on the long side
CAB ABS 304018 T	8183051	400 x 300 x 180	Cabinet, ABS, Smoked transparent door ▪ Latches on the short side
CAB ABS 403018 T	8183050	400 x 300 x 180	Cabinet, ABS, Smoked transparent door ▪ Latches on the long side
CAB ABS 403018 T3B	8183052	400 x 300 x 180	Cabinet, ABS, Smoked transparent door ▪ Locks on the long side

## Accessories

Order symbol	Code	Dimensions	Description
EKIV 43	4712119	370 x 270	Mounting plate
EKIV 27	4712127	35 x 266	DIN-35 Mounting rail
EKIV 37	4712128	35 x 366	DIN-35 Mounting rail
FP A 43	8392224	266 x 368	Swing-out door/Front plate (aluminium)
MB 12225 AL	8390007		Swing door set ▪ for aluminium front plates
FP 43	8392306	376 x 268	Front plate ▪ Black
FP 12x2-43	8392222	378 x 278	Front plate ▪ 2x12 modules
FP 12x3-43	8392221	378 x 278	Front plate ▪ 3x12 modules
DRF 43/44	4712201		DIN rail frame set ▪ incl. a pair of metal profile bar, mounting screws and front plate holders



# CAB PC/ABS 4050

500 x 400

PC: IP 65, IK 08  
ABS: IP 65, IK 08



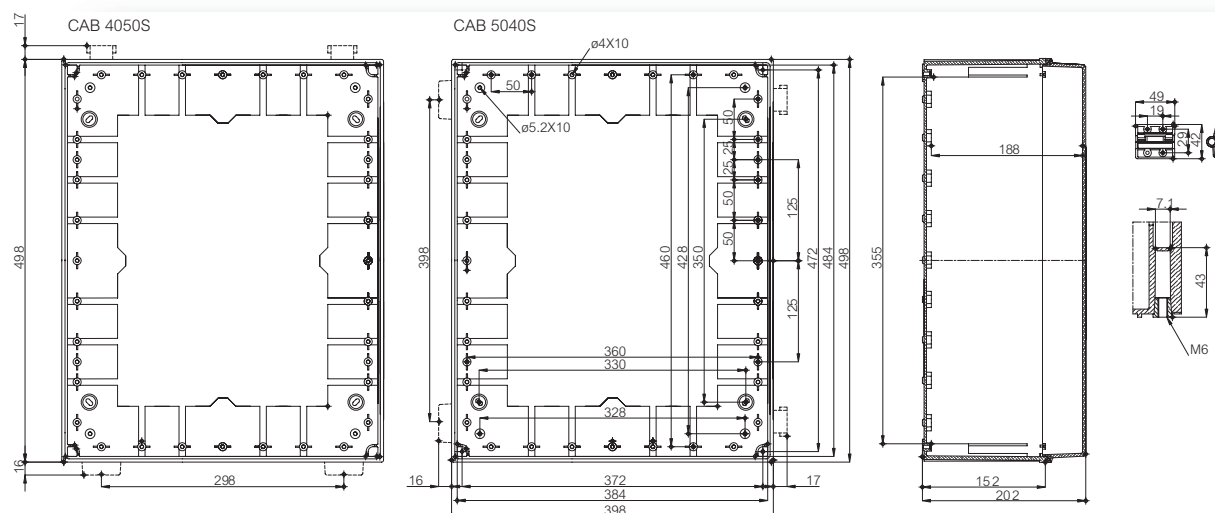
Including: Cabinet base, door with EPDM gasket, latches, screws for mounting plate/DIN-rail and corner plugs. 3B-versions: Cabinet base, door with EPDM gasket, 3mm double bit lock(s) with key, screws for mounting plate/DIN-rail and corner plugs.

## Enclosures

Order symbol	Code	Dimensions	Description
CAB PC 405020 G	8113361	500 x 400 x 200	Cabinet, PC, Grey door ▪ Latches on the short side
CAB PC 504020 G	8113360	500 x 400 x 200	Cabinet, PC, Grey door ▪ Latches on the long side
CAB PC 504020 G3B	8113362	500 x 400 x 200	Cabinet, PC, Grey door ▪ Locks on the long side
CAB PC 405020 T	8113061	500 x 400 x 200	Cabinet, PC, Smoked transparent door ▪ Latches on the short side
CAB PC 504020 T	8113060	500 x 400 x 200	Cabinet, PC, Smoked transparent door ▪ Latches on the long side
CAB PC 504020 T3B	8113062	500 x 400 x 200	Cabinet, PC, Smoked transparent door ▪ Locks on the long side
CAB ABS 405020 G	8183361	500 x 400 x 200	Cabinet, ABS, Grey door ▪ Latches on the short side
CAB ABS 504020 G	8183360	500 x 400 x 200	Cabinet, ABS, Grey door ▪ Latches on the long side
CAB ABS 504020 G3B	8183362	500 x 400 x 200	Cabinet, ABS, Grey door ▪ Locks on the long side
CAB ABS 405020 T	8183061	500 x 400 x 200	Cabinet, ABS, Smoked transparent door ▪ Latches on the short side
CAB ABS 504020 T	8183060	500 x 400 x 200	Cabinet, ABS, Smoked transparent door ▪ Latches on the long side
CAB ABS 504020 T3B	8183062	500 x 400 x 200	Cabinet, ABS, Smoked transparent door ▪ Locks on the long side

## Accessories

Order symbol	Code	Dimensions	Description
EKIV 54	8392230	470 x 370	Mounting plate
EKIV 37	4712128	35 x 366	DIN-35 Mounting rail
EKIV 47	8392231	35 x 466	DIN-35 Mounting rail
FP A 54	8392228	468 x 366	Swing-out door/Front plate (aluminium)
MB 12225 AL	8390007		Swing door set ▪ for aluminium front plates
FP 54	8392317	476 x 368	Front plate ▪ Black
FP 18X2-54	8392188	378 x 478	Front plate ▪ 2x18 modules
DRF 54	4712203		DIN rail frame set ▪ incl. a pair of metal profile bar, mounting screws and front plate holders





# CAB PC/ABS 6040

600 x 400

PC: IP 65, IK 08  
ABS: IP 65, IK 08

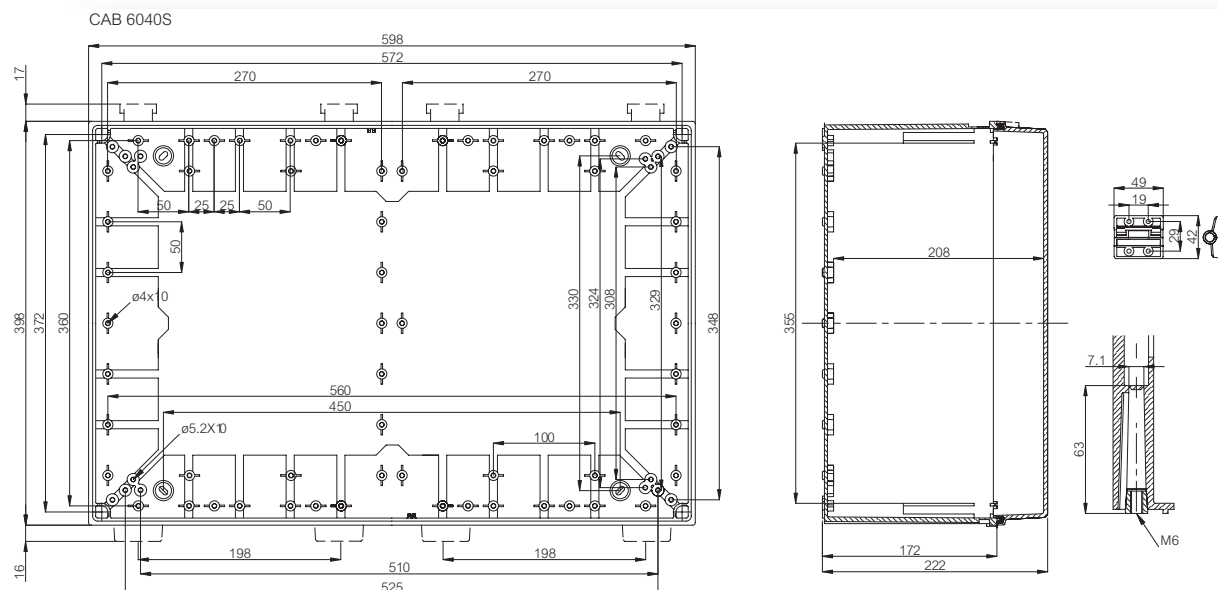
Including: Cabinet base, door with EPDM gasket, latches, screws for mounting plate/DIN-rail and corner plugs. 3B-versions: Cabinet base, door with EPDM gasket, 3mm double bit lock(s) with key, screws for mounting plate/DIN-rail and corner plugs.

## Enclosures

Order symbol	Code	Dimensions	Description
CAB PC 604022 G	8113370	600 x 400 x 220	Cabinet, PC, Grey door ▪ Latches on the long side
CAB PC 604022 G3B	8113372	600 x 400 x 220	Cabinet, PC, Grey door ▪ Locks on the long side
CAB PC 604022 T	8113070	600 x 400 x 220	Cabinet, PC, Smoked transparent door ▪ Latches on the long side
CAB PC 604022 T3B	8113072	600 x 400 x 220	Cabinet, PC, Smoked transparent door ▪ Locks on the long side
CAB ABS 604022 G	8183370	600 x 400 x 220	Cabinet, ABS, Grey door ▪ Latches on the long side
CAB ABS 604022 G3B	8183372	600 x 400 x 220	Cabinet, ABS, Grey door ▪ Locks on the long side
CAB ABS 604022 T	8183070	600 x 400 x 220	Cabinet, ABS, Smoked transparent door ▪ Latches on the long side
CAB ABS 604022 T3B	8183072	600 x 400 x 220	Cabinet, ABS, Smoked transparent door ▪ Locks on the long side

## Accessories

Order symbol	Code	Dimensions	Description
EKIV 64H	4712300	570 x 370	Mounting plate
EKIV 37	4712128	35 x 366	DIN-35 Mounting rail
FP A 64	8392229	568 x 366	Swing-out door/Front plate (aluminium)
MB 12225 AL	8390007		Swing door set ▪ for aluminium front plates
FP 64	8392319	576 x 368	Front plate ▪ Black
FP 18x3-64	8392232	578 x 378	Front plate ▪ 3x18 modules
DRF 63/64	4712204		DIN rail frame set ▪ incl. a pair of metal profile bar, mounting screws and front plate holders



## PC/ABS ACCESSORIES

Order symbol      Code      Description

### Mounting plates (Galvanized steel, sheet thickness 1,5 mm)

EKIV 15	4712462	150 x 150
EKIV 23	4712117	170 x 270
EKIV 33	4712118	270 x 270
EKIV 43	4712119	370 x 270
EKIV 54	8392230	470 x 370
EKIV 64H	4712300	570 x 370



### DIN-35 Mounting rails (Galvanized steel, rail height 7,5 mm)

TRH 15	9822021	35 x 122
EKIV 17	4712126	35 x 166
EKIV 27	4712127	35 x 266
EKIV 37	4712128	35 x 366
EKIV 47	8392231	35 x 466



### Front plates (Aluminium, sheet thickness 1,5 mm)

FP A 23	8392226	166 x 268
FP A 33	8392227	266 x 268
FP A 43	8392224	266 x 368
FP A 54	8392228	468 x 366
FP A 64	8392229	568 x 366

### Swing door sets

MB 12225 AL	8390007	Swing door set • for aluminium front plates
MB 12225	8390001	Swing door set • for plastic front plates

### Front plates with module openings

FP 12-23	8392218	178 x 278 • 12 modules
FP 12-33	8392219	278 x 278 • 12 modules
FP 12x2-33	8392220	278 x 278 • 2x12 modules
FP 12x2-43	8392222	378 x 278 • 2x12 modules
FP 12x2-43 FP	8392223	378 x 278 • use with FP 12190
FP 12x3-43	8392221	378 x 278 • 3x12 modules
FP 18X2-54	8392188	378 x 478 • 2x18 modules
FP 18x3-64	8392232	578 x 378 • 3x18 modules



### DIN rail supports

FP 12190	4512190	DIN rail support
FP 12190SET	4712190	DIN rail support set

### Formed front plates

FP 23	8392285	268 x 176 • Black
FP 33	8392305	276 x 268 • Black
FP 43	8392306	376 x 268 • Black
FP 54	8392317	476 x 368 • Black
FP 64	8392319	576 x 368 • Black

### Hinges and wall mounting

MB CH SET	8390003	Hinge set • for CAB/Quick
FP 12017	4712045	Wall fastening lug (4 pcs) • incl. screws
SP 12087	4712087	Corner plug, red



### Pole mounting

PM 60	8390008	Pole mount set • pole diameter min 50 max 70 mm
PM 120	8390009	Pole mount set • pole diameter min 100 max 120 mm



## PC/ABS ACCESSORIES

Order symbol	Code	Description
--------------	------	-------------

### DIN rail frame sets

DRF 23	4712200	DIN rail frame set ▪ incl. a pair of metal profile bar, mounting screws and front plate holders
DRF 33	4712205	DIN rail frame set ▪ incl. a pair of metal profile bar, mounting screws and front plate holders
DRF 43/44	4712201	DIN rail frame set ▪ incl. a pair of metal profile bar, mounting screws and front plate holders
DRF 54	4712203	DIN rail frame set ▪ incl. a pair of metal profile bar, mounting screws and front plate holders
DRF 63/64	4712204	DIN rail frame set ▪ incl. a pair of metal profile bar, mounting screws and front plate holders

### Spacers

FA 12053	4712053	Spacer 14 mm ▪ M5 self-cutting
FA 12052	4712052	Spacer 42 mm ▪ M5 self-cutting
M5x8	4712161	Mounting screw for spacer
MB 10686	3730686	Set of 2 spacers including screws ▪ (15/34 mm)



### Other accessories

MSM PT 5x10	4712049	Mounting screw
MB 12235 KEY	8392235	Plastic key for the lock



# CAB P 3020

300 x 200

P: IP 66, IK 10



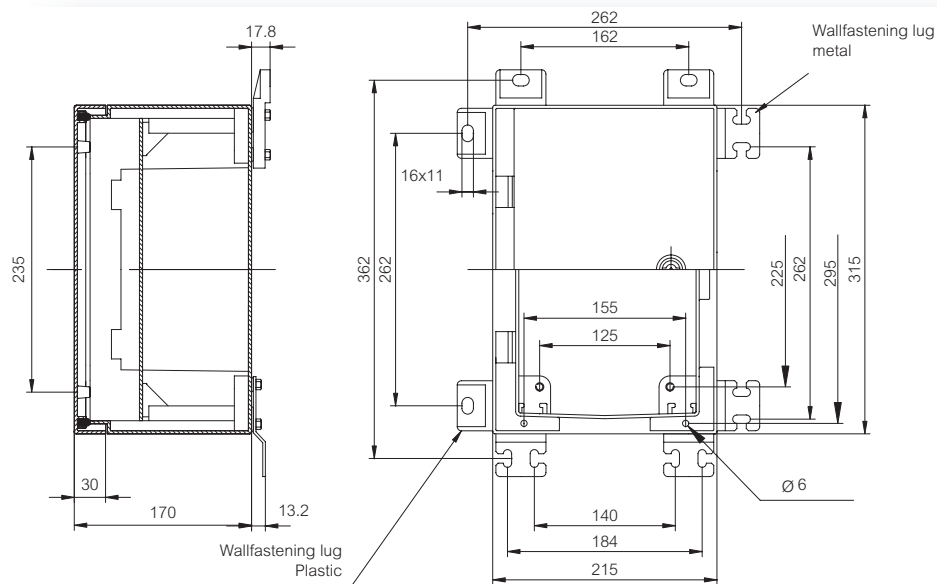
Including: Cabinet base, door with PUR gasket, 3mm double bit lock(s) with transport and plastic key, screws for mounting plate/DIN-rail and wall fastening lugs with screws. Wall mounting screws not supplied.

## Enclosures

Order symbol	Code	Dimensions	Description
CAB P 302017	8104303	315 x 215 x 170	Polyester cabinet • Grey door

## Accessories

Order symbol	Code	Dimensions	Description
MP 3020	8203020	300 x 200	Mounting plate
FP 3020-D	8273020	300 x 200	Swing door/Front plate
MB CAB	8280001		Swing door kit • set of hinge supports for front plate





# CAB P 4030

400 x 300

P: IP 66, IK 10

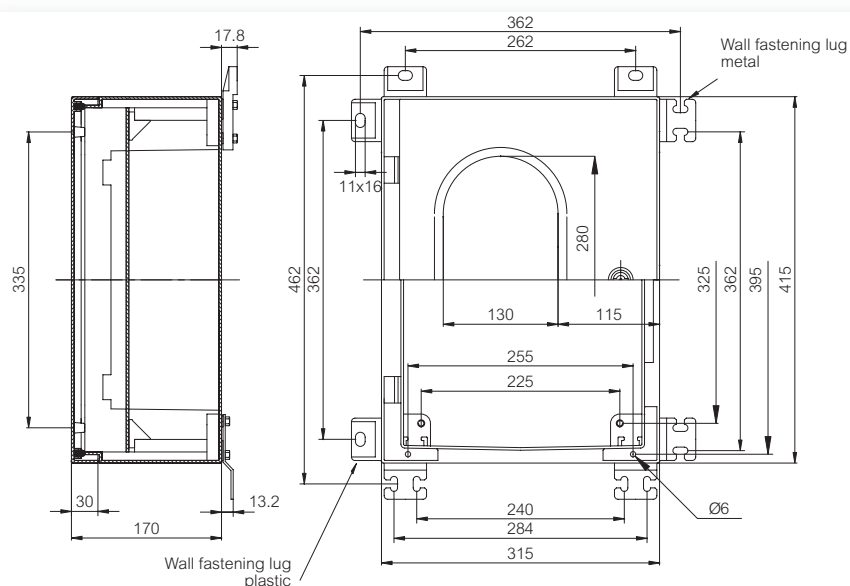
Including: Cabinet base, door with PUR gasket, 3mm double bit lock(s) with transport and plastic key, screws for mounting plate/DIN-rail and wall fastening lugs with screws. Wall mounting screws not supplied.

## Enclosures

Order symbol	Code	Dimensions	Description
CAB P 403017	8104304	415 x 315 x 170	Polyester cabinet • Grey door

## Accessories

Order symbol	Code	Dimensions	Description
MP 4030	8204030	400 x 300	Mounting plate
FP 4030-D	8274030	400 x 300	Swing door/Front plate
MB CAB	8280001		Swing door kit • set of hinge supports for front plate



# CAB P 5040

500 x 400

P: IP 66, IK 10



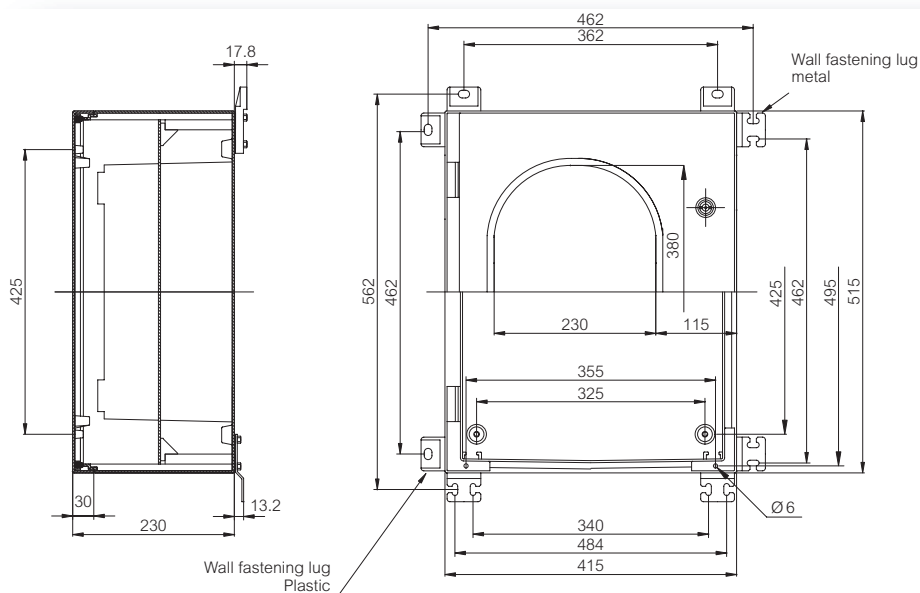
Including: Cabinet base, door with PUR gasket, 3mm double bit lock(s) with transport and plastic key, screws for mounting plate/DIN-rail and wall fastening lugs with screws. Wall mounting screws not supplied.

## Enclosures

Order symbol	Code	Dimensions	Description
CAB P 504023	8104305	515 x 415 x 230	Polyester cabinet • Grey door

## Accessories

Order symbol	Code	Dimensions	Description
MP 5040	8205040	500 x 400	Mounting plate
FP 5040-D	8275040	500 x 400	Swing door/Front plate
MB CAB	8280001		Swing door kit • set of hinge supports for front plate





# CAB P 6040

600 x 400

P: IP 66, IK 10

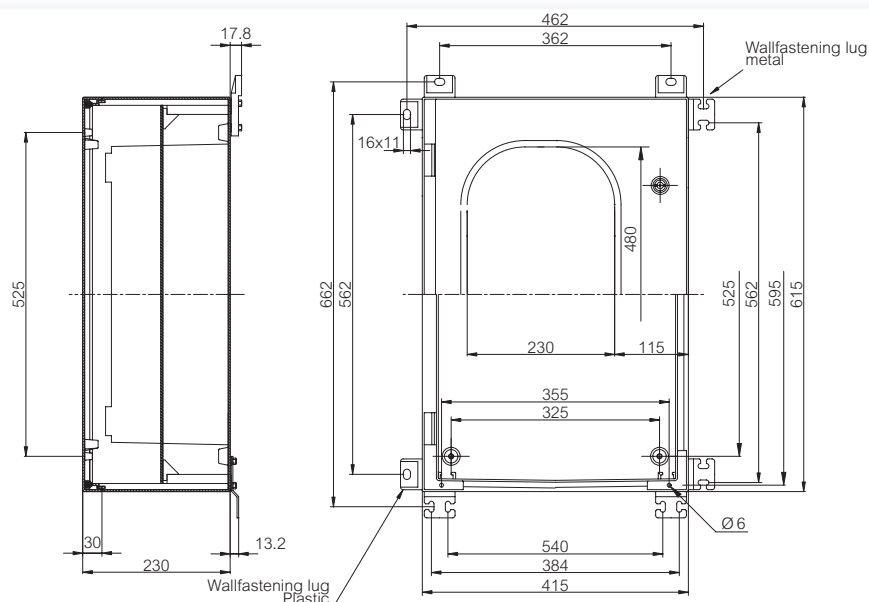
Including: Cabinet base, door with PUR gasket, 3mm double bit lock(s) with transport and plastic key, screws for mounting plate/DIN-rail and wall fastening lugs with screws. Wall mounting screws not supplied.

## Enclosures

Order symbol	Code	Dimensions	Description
CAB P 604023	8104306	615 x 415 x 230	Polyester cabinet ▪ Grey door

## Accessories

Order symbol	Code	Dimensions	Description
MP 6040	8206040	600 x 400	Mounting plate
FP 6040-D	8276040	600 x 400	Swing door/Front plate
MB CAB	8280001		Swing door kit ▪ set of hinge supports for front plate



# CAB P 7050

700 x 500

P: IP 66, IK 10



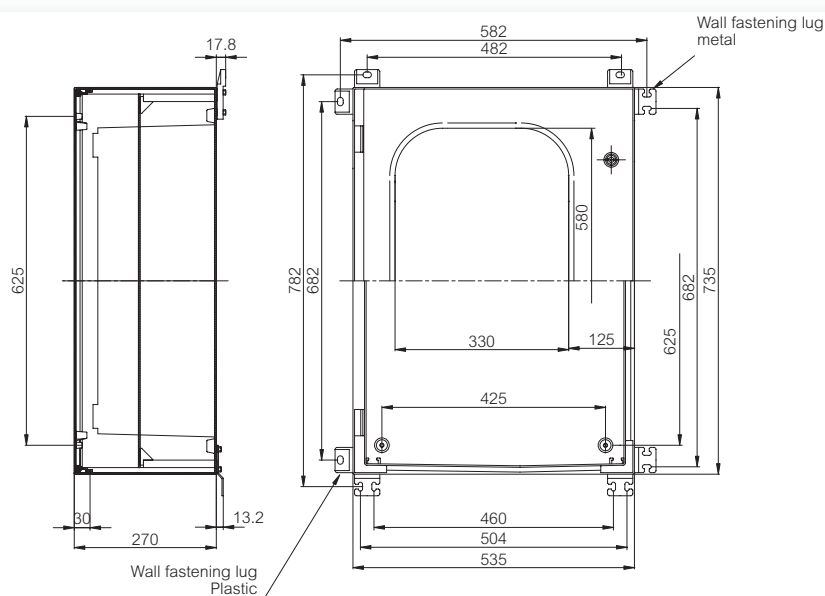
Including: Cabinet base, door with PUR gasket, 3mm double bit lock(s) with transport and plastic key, screws for mounting plate/DIN-rail and wall fastening lugs with screws. Wall mounting screws not supplied.

## Enclosures

Order symbol	Code	Dimensions	Description
CAB P 705027	8104307	735 x 535 x 270	Polyester cabinet • Grey door

## Accessories

Order symbol	Code	Dimensions	Description
MP 7050	8207050	700 x 500	Mounting plate
FP 7050-D	8277050	700 x 500	Swing door/Front plate
MB CAB	8280001		Swing door kit • set of hinge supports for front plate





# CAB P 8060

800 x 600

P: IP 66, IK 10

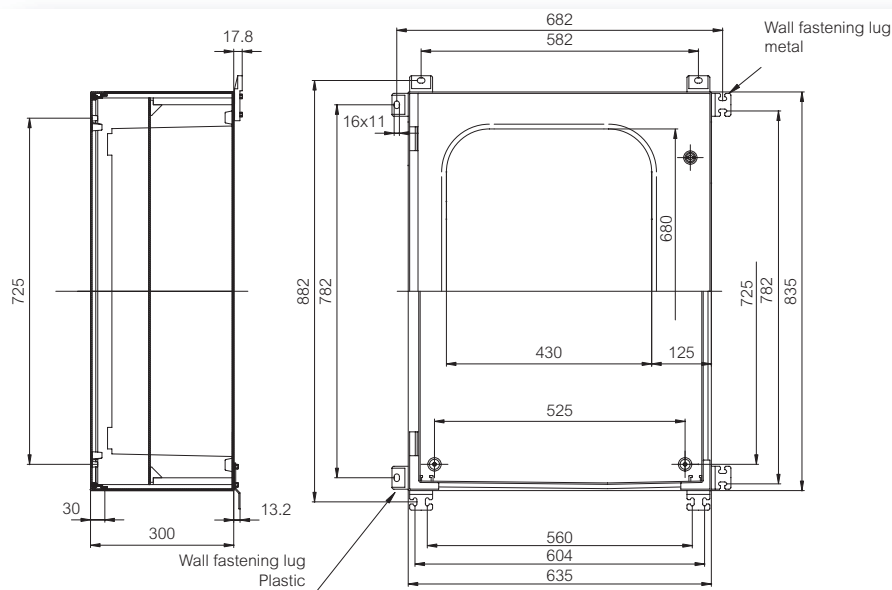
Including: Cabinet base, door with PUR gasket, 3mm double bit lock(s) with transport and plastic key, screws for mounting plate/DIN-rail and wall fastening lugs with screws. Wall mounting screws not supplied.

## Enclosures

Order symbol	Code	Dimensions	Description
CAB P 806030	8104308	835 x 635 x 300	Polyester cabinet • Grey door

## Accessories

Order symbol	Code	Dimensions	Description
MP 8060	8208060	800 x 600	Mounting plate
FP 8060-D	8278060	800 x 600	Swing door/Front plate
MB CAB	8280001		Swing door kit • set of hinge supports for front plate



# CAB P 10080

1000 x 800

P: IP 66, IK 10



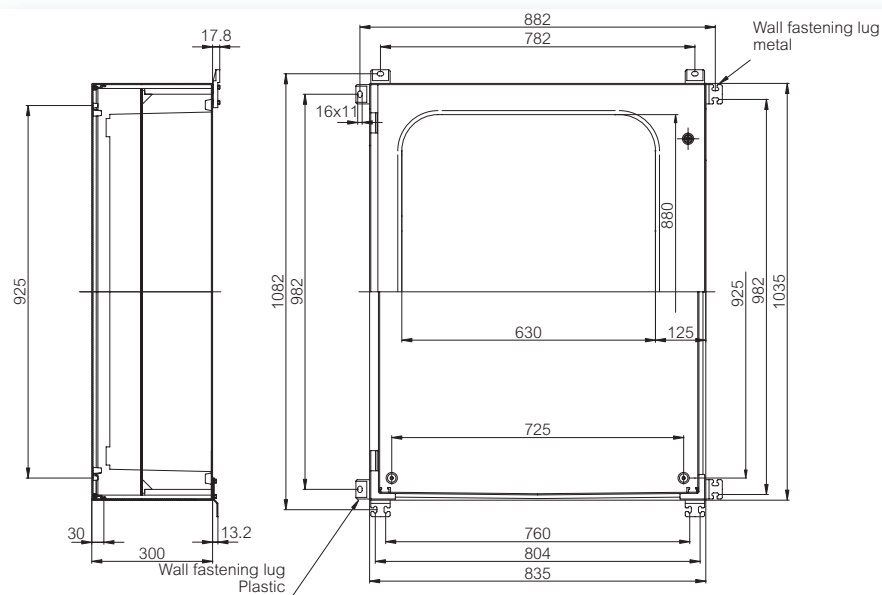
Including: Cabinet base, door with PUR gasket, 3mm double bit lock(s) with transport and plastic key, screws for mounting plate/DIN-rail and wall fastening lugs with screws. Wall mounting screws not supplied.

## Enclosures

Order symbol	Code	Dimensions	Description
CAB P 1008030	8104309	1035 x 835 x 300	Polyester cabinet • Grey door

## Accessories

Order symbol	Code	Dimensions	Description
MP 10080	8200080	1000 x 800	Mounting plate
FP 10080-D	8270080	1000 x 800	Swing door/Front plate
MB CAB	8280001		Swing door kit • set of hinge supports for front plate



## CAB P ACCESSORIES

Order symbol      Code      Description

### Mounting plates (Galvanized steel, sheet thickness 1,5 mm)

MP 3020	8203020	300 x 200
MP 4030	8204030	400 x 300
MP 5040	8205040	500 x 400
MP 6040	8206040	600 x 400
MP 7050	8207050	700 x 500
MP 8060	8208060	800 x 600
MP 10080	8200080	1000 x 800

### Plastic front plates

FP 3020-D	8273020	300 x 200
FP 4030-D	8274030	400 x 300
FP 5040-D	8275040	500 x 400
FP 6040-D	8276040	600 x 400
FP 7050-D	8277050	700 x 500
FP 8060-D	8278060	800 x 600
FP 10080-D	8270080	1000 x 800

### Swing door kit

MB CAB	8280001	Swing door kit ▪ set of hinge supports for front plate
--------	---------	--

### Wall mounting and ventilation

MF CAB	8280002	Wall fastening lug kit ▪ (4 lugs, Stainless)
TF CAB	8280003	Wall fastening lug kit ▪ (4 lugs, Polyamide)
MB VG CAB	8280004	Ventilation grid ▪ (IP 44)



## CAB technical information

Property	Polycarbonate (PC)	ABS	Polyester (GRP)
Ingress Protection (EN 60529)	IP 65	IP 65	IP 66
Impact Resistance (EN 62262)	IK 08	IK 08	IK 10
Temperature Range Celsius (short term) Fahrenheit	-40°...120°C -40°...250°F	-40°...80°C -40°...175°F	-50°...150°C -60°...302°F
Temperature Range Celsius (continuous) Fahrenheit	-40°...80°C -40°...175°F	-40°...60°C -40°...140°F	-40°...70°C -40°...158°F
Electrical Insulation	Totally insulated ☐	Totally insulated ☐	Totally insulated ☐
Light Grey Parts Colour	RAL 7035 Industry Grey	RAL 7035 Industry Grey	RAL 7035 Industry Grey
Transparent Clear PC Cover	Smoked Grey	Smoked Grey	
Hinges and Latches (PC)	RAL 7035	RAL 5023	
Gasket	PUR/EPDM	PUR/EPDM	PUR
Enclosure Flammability Rating	UL 94-5V	UL 94HB	UL 94-5V
Glow Wire Test (IEC 695-2-1) Self-extinguishing (PC)	960°C	650°C	960°C
Non-toxicity	Halogen Free	Halogen Free	Halogen Free
UV resistance	UL 508 720 hours in "Weatherometer"		
Chemical Resistance *	Good	Good	Excellent

### Confirmity to standards

**USA** Enclosures for Electrical Equipment  
 PC: UL Type 1, 4, 4X, 12 or 13; UL File E75645 Vol 1  
 Sec 6; UL 746C-5VA flame test (UL 50/508)  
 P: NEMA 1, 3, 3S, 4, 4X, 12 or 13  
 ABS: NEMA 1, 4, 4X, 12 or 13

**Canada** Industrial Control Equipment  
 Enclosures for Electrical Equipment/ULc

**Europe** Empty enclosures for low-voltage switchgear  
 and controlgear assemblies EN 62208:2003  
 (50298:1998)

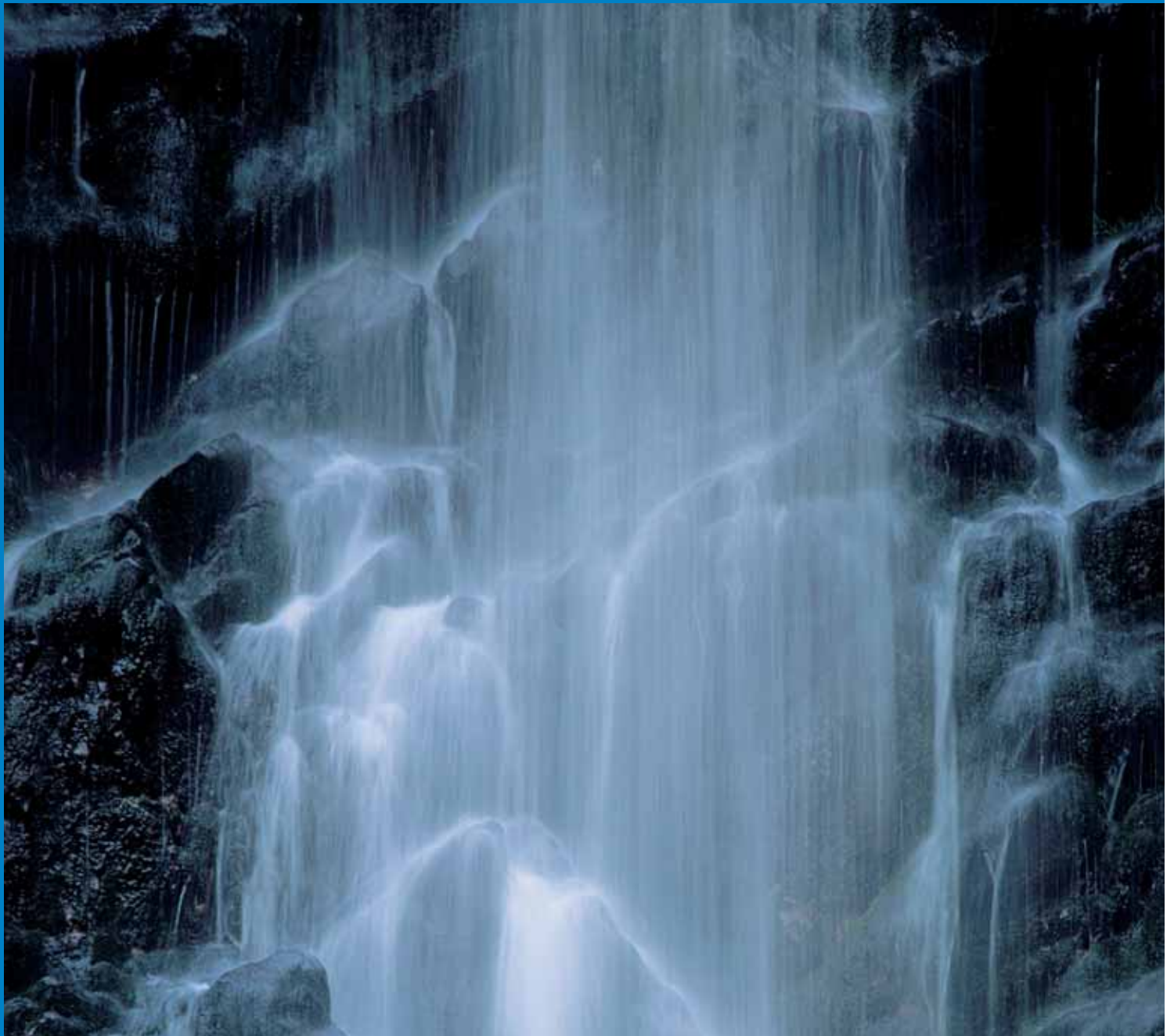
**Europe** Safety of Information Technology Equipment  
 EN 60950  
 RoHS directive 2002/95/EC

**Russia** GostR - Gost Russian certificate of conformity

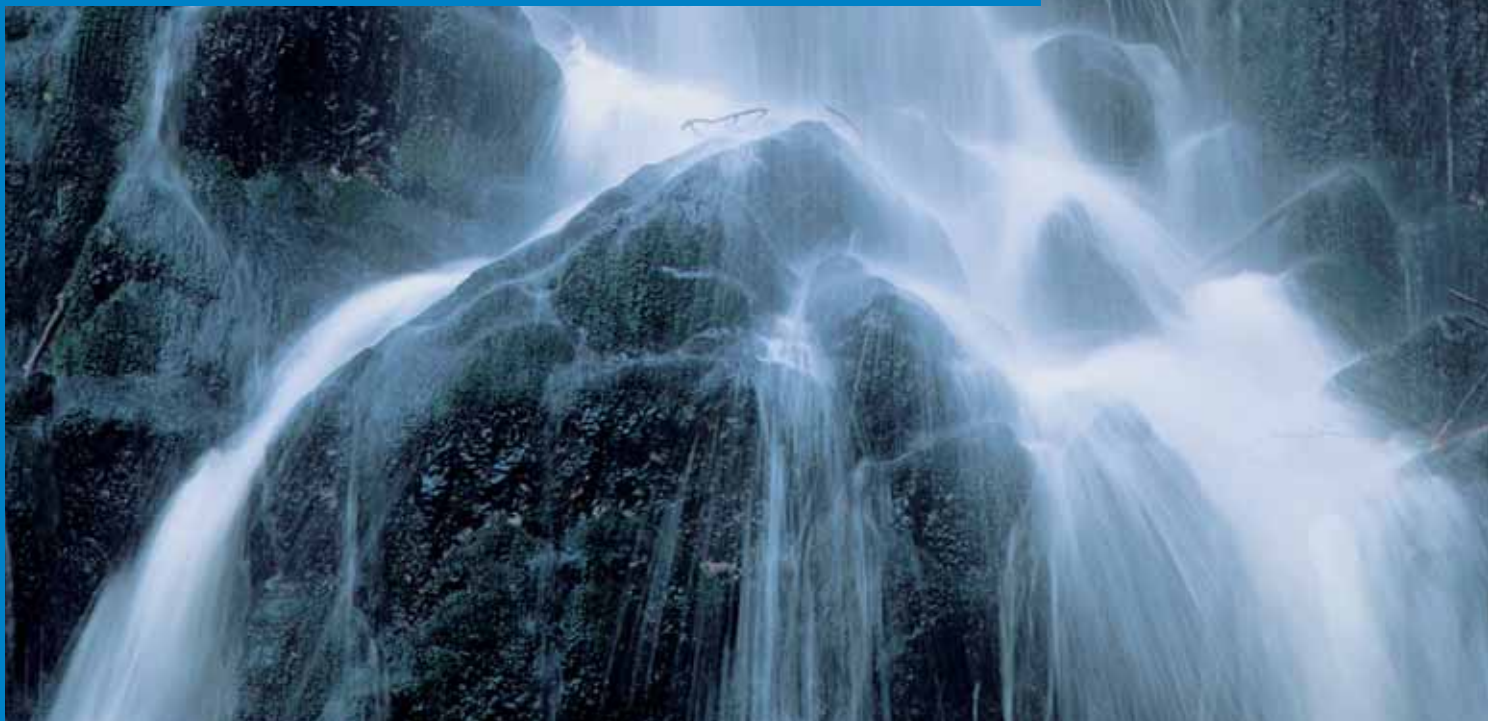
Data subject to change without notice.

\*Consult separate raw material data for more detailed information





**FIBOX – Solutions for demanding environments**

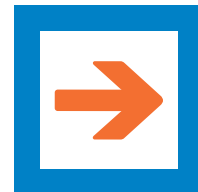


## Fibox QUICK

QUICK wall mounting cabinets are manufactured from high impact resistance polycarbonate or ABS withstanding harsh industrial and outdoor environments. These cabinets are equipped with quick screw covers. Transparent cover options allow easy viewing of installed equipment and indicators.



# QUICK



**Quick locking cover screws**



**Adjustable depth for front panel**



**RoHS compliant and halogen-free**

# QUICK PC/ABS 32

300 x 200

PC: IP 66/IP 67, IK 08  
ABS: IP 66/IP 67, IK 08

Including: Base with screws for mounting plate/DIN-rail, internal corner plugs, cover with PUR gasket and CS 12137 cover screws.

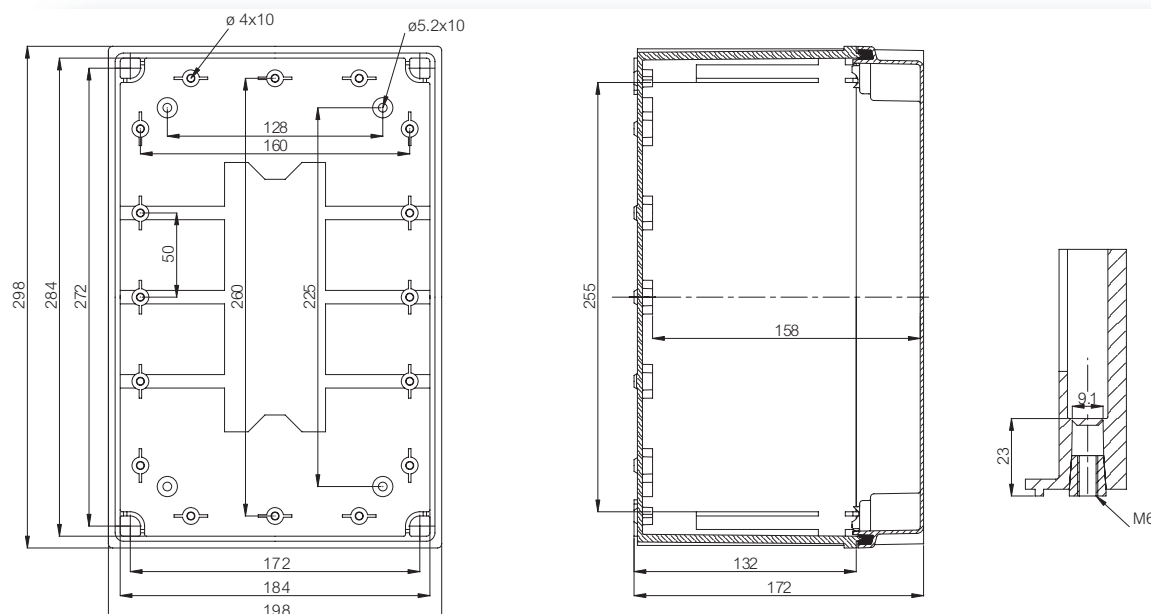


## Enclosures

Order symbol	Code	Dimensions	Description
CAB PCQ 302017 G	8113338	300 x 200 x 170	Cabinet, PC • Grey cover
CAB PCQ 302017 T	8113038	300 x 200 x 170	Cabinet, PC • Smoked transparent cover
CAB ABSQ 302017 G	8183338	300 x 200 x 170	Cabinet, ABS • Grey cover
CAB ABSQ 302017 T	8183038	300 x 200 x 170	Cabinet, ABS • Smoked transparent cover

## Accessories

Order symbol	Code	Dimensions	Description
EKIV 23	4712117	170 x 270	Mounting plate
EKIV 17	4712126	35 x 166	DIN-35 Mounting rail
EKIV 27	4712127	35 x 266	DIN-35 Mounting rail
FP A 23	8392226	166 x 268	Swing-out door/Front plate (aluminium)
MB 12225 AL	8390007		Swing door set • for aluminium front plates
FP 12-23	8392218	178 x 278	Front plate • 12 modules
DRF 23	4712200		DIN rail frame set • incl. a pair of metal profile bar, mounting screws and front plate holders
DRF 33	4712205		DIN rail frame set • incl. a pair of metal profile bar, mounting screws and front plate holders
PAT 12040	4512040		Hinge set • incl. screws





# QUICK PC/ABS 33

300 x 300

PC: IP 66/IP 67, IK 08  
ABS: IP 66/IP 67, IK 08

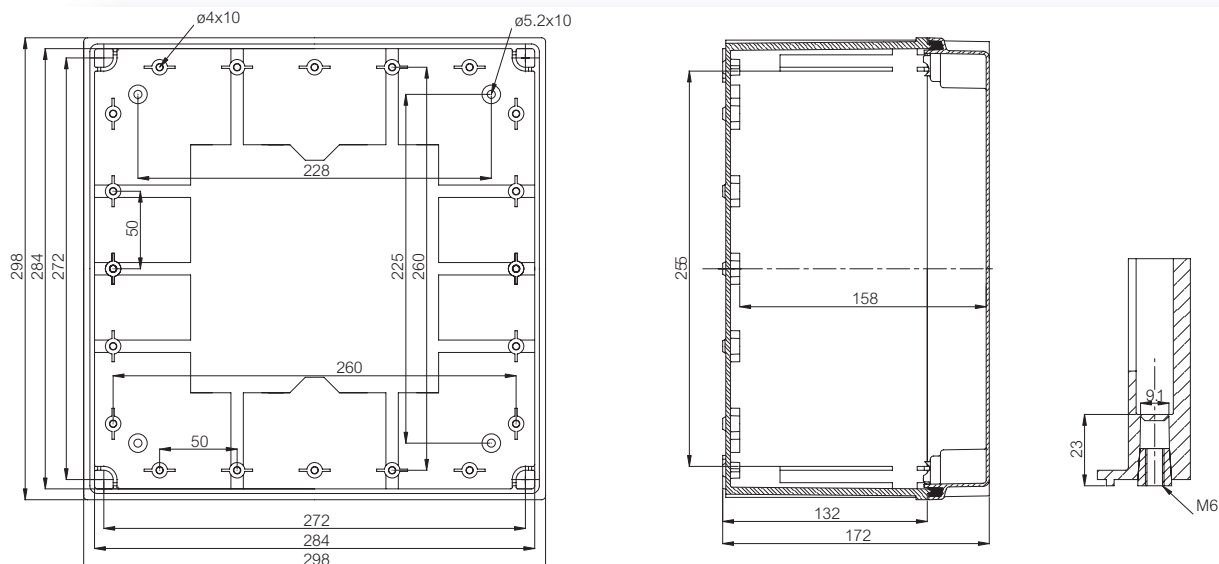
Including: Base with screws for mounting plate/DIN-rail, internal corner plugs, cover with PUR gasket and CS 12137 cover screws.

## Enclosures

Order symbol	Code	Dimensions	Description
CAB PCQ 303017 G	8113348	300 x 300 x 170	Cabinet, PC ▪ Grey cover
CAB PCQ 303017 T	8113048	300 x 300 x 170	Cabinet, PC ▪ Smoked transparent cover
CAB ABSQ 303017 G	8183348	300 x 300 x 170	Cabinet, ABS ▪ Grey cover
CAB ABSQ 303017 T	8183048	300 x 300 x 170	Cabinet, ABS ▪ Smoked transparent cover

## Accessories

Order symbol	Code	Dimensions	Description
EKIV 33	4712118	270 x 270	Mounting plate
EKIV 27	4712127	35 x 266	DIN-35 Mounting rail
FP A 33	8392227	266 x 268	Swing-out door/Front plate (aluminium)
MB 12225 AL	8390007		Swing door set ▪ for aluminium front plates
FP 12-33	8392219	278 x 278	Front plate ▪ 12 modules
FP 12x2-33	8392220	278 x 278	Front plate ▪ 2x12 modules
DRF 33	4712205		DIN rail frame set ▪ incl. a pair of metal profile bar, mounting screws and front plate holders
PAT 12040	4512040		Hinge set ▪ incl. screws



# QUICK PC/ABS 43

400 x 300

PC: IP 66/IP 67, IK 08  
ABS: IP 66/IP 67, IK 08



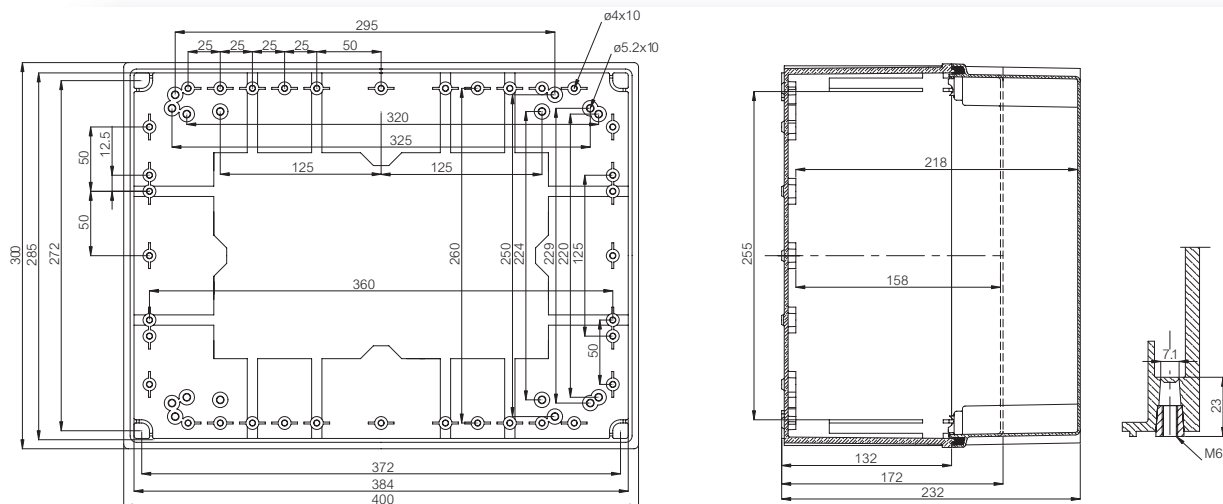
Including: Base with screws for mounting plate/DIN-rail, internal corner plugs, cover with PUR gasket and CS 12137 cover screws.

## Enclosures

Order symbol	Code	Dimensions	Description
CAB PCQ 403017 G	8113358	400 x 300 x 170	Cabinet, PC • Grey cover
CAB PCQ 403023 G	8113458	400 x 300 x 230	Cabinet, PC • Grey cover
CAB PCQ 403017 T	8113058	400 x 300 x 170	Cabinet, PC • Smoked transparent cover
CAB PCQ 403023 T	8113158	400 x 300 x 230	Cabinet, PC • Smoked transparent cover
CAB ABSQ 403017 G	8183358	400 x 300 x 170	Cabinet, ABS • Grey cover
CAB ABSQ 403023 G	8183858	400 x 300 x 230	Cabinet, ABS • Grey cover
CAB ABSQ 403017 T	8183058	400 x 300 x 170	Cabinet, ABS • Smoked transparent cover
CAB ABSQ 403023 T	8183158	400 x 300 x 230	Cabinet, ABS • Smoked transparent cover

## Accessories

Order symbol	Code	Dimensions	Description
EKIV 43	4712119	370 x 270	Mounting plate
EKIV 27	4712127	35 x 266	DIN-35 Mounting rail
EKIV 37	4712128	35 x 366	DIN-35 Mounting rail
FP A 43	8392224	266 x 368	Swing-out door/Front plate (aluminium)
MB 12225 AL	8390007		Swing door set • for aluminium front plates
FP 12x2-43	8392222	378 x 278	Front plate • 2x12 modules
FP 12x3-43	8392221	378 x 278	Front plate • 3x12 modules
DRF 43/44	4712201		DIN rail frame set • incl. a pair of metal profile bar, mounting screws and front plate holders
PAT 12040	4512040		Hinge set • incl. screws





# QUICK PC/ABS 44

400 x 400

PC: IP 66/IP 67, IK 08  
ABS: IP 66/IP 67, IK 08

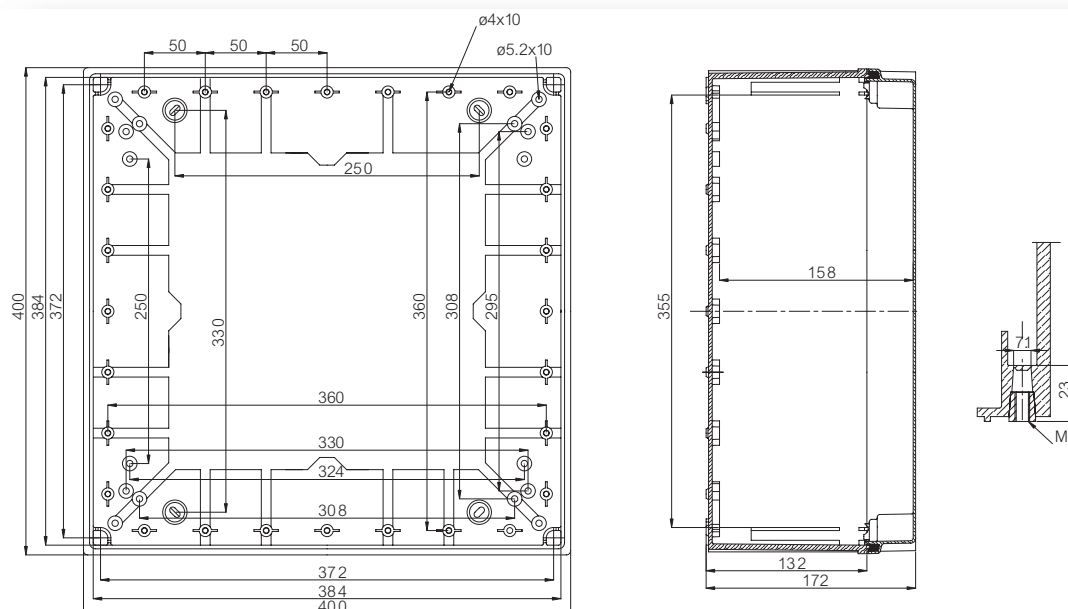
Including: Base with screws for mounting plate/DIN-rail, internal corner plugs, cover with PUR gasket and CS 12137 cover screws.

## Enclosures

Order symbol	Code	Dimensions	Description
CAB PCQ 404017 G	8113488	400 x 400 x 170	Cabinet, PC ▪ Grey cover
CAB PCQ 404017 T	8113088	400 x 400 x 170	Cabinet, PC ▪ Smoked transparent cover
CAB ABSQ 404017 G	8183888	400 x 400 x 170	Cabinet, ABS ▪ Grey cover
CAB ABSQ 404017 T	8183188	400 x 400 x 170	Cabinet, ABS ▪ Smoked transparent cover

## Accessories

Order symbol	Code	Dimensions	Description
EKIV 44	4712289	370 x 370	Mounting plate
EKIV 37	4712128	35 x 366	DIN-35 Mounting rail
FP A 44	8392272	368 x 368	Swing-out door/Front plate (aluminium)
MB 12225 AL	8390007		Swing door set ▪ for aluminium front plates
FP 18x2-44	8392286	378 x 378	Front plate ▪ 2x18 modules
EKI EXT 44	4512265	400 x 400 x 100	Extension frame
DRF 43/44	4712201		DIN rail frame set ▪ incl. a pair of metal profile bar, mounting screws and front plate holders
PAT 12040	4512040		Hinge set ▪ incl. screws



# QUICK PC 63

600 x 300

PC: IP 66/IP 67, IK 08



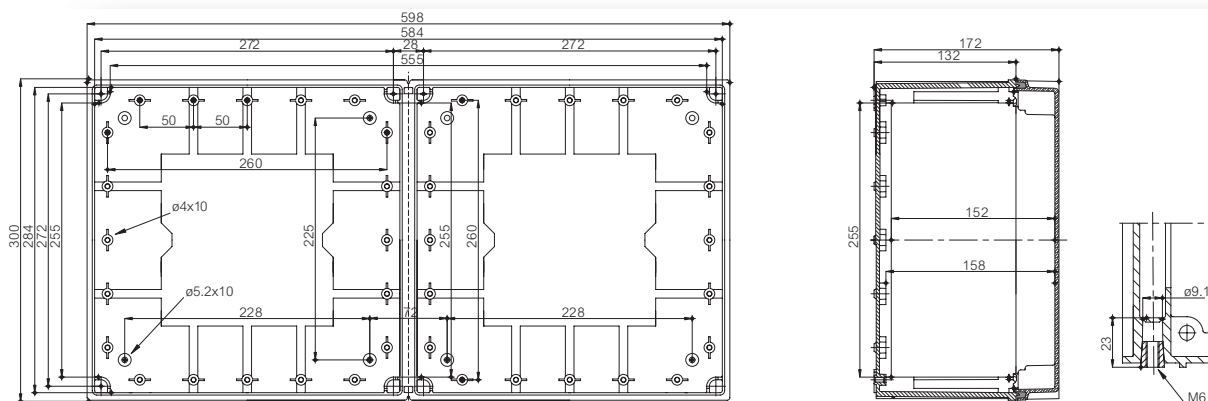
Including: Base with screws for mounting plate/DIN-rail, internal corner plugs, cover with PUR gasket and CS 12137 cover screws.

## Enclosures

Order symbol	Code	Dimensions	Description
CAB PCQ 603017 G	8113468	600 x 300 x 170	Cabinet, PC • Grey cover
CAB PCQ 603017 T	8113068	600 x 300 x 170	Cabinet, PC • Smoked transparent cover

## Accessories

Order symbol	Code	Dimensions	Description
EKIV 63	4712120	570 x 270	Mounting plate • Use with FA 12053
FA 12053	4712053		Spacer 14 mm • M5 self-cutting
EKIV 33	4712118	270 x 270	Mounting plate
EKIV 37	4712128	35 x 366	DIN-35 Mounting rail
FP A 63	8392399	266 x 568	Swing-out door/Front plate (aluminium)
MB 12225 AL	8390007		Swing door set • for aluminium front plates
DRF 33	4712205		DIN rail frame set • incl. a pair of metal profile bar, mounting screws and front plate holders
PAT 12040	4512040		Hinge set • incl. screws





# QUICK PC/ABS 64

600 x 400

PC: IP 66/IP 67, IK 08  
ABS: IP 66/IP 67, IK 08

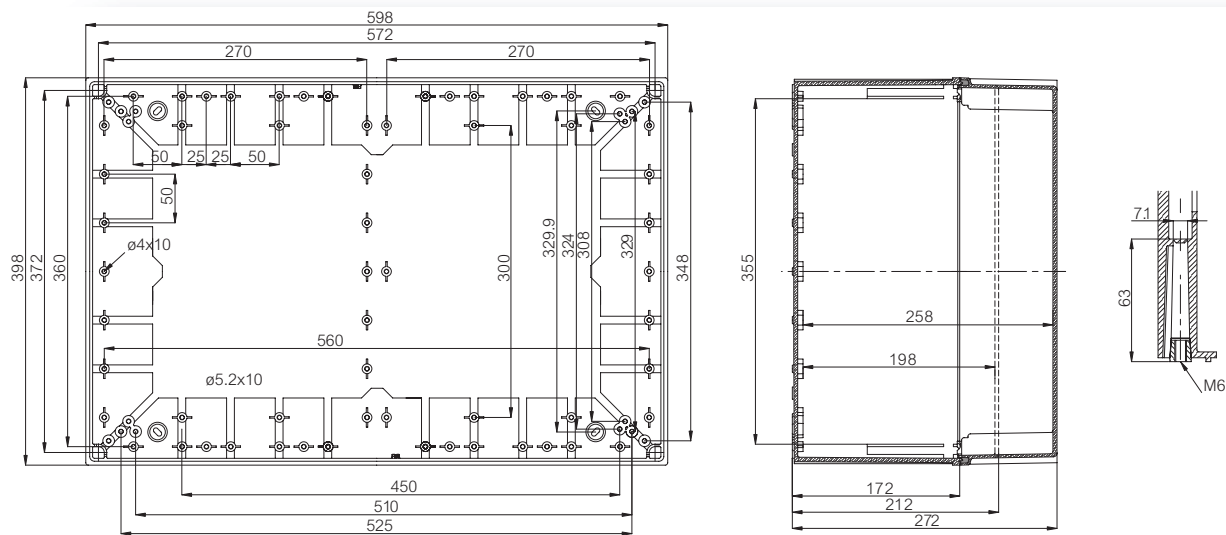
Including: Base with screws for mounting plate/DIN-rail, internal corner plugs, cover with PUR gasket and CS 12137 cover screws.

## Enclosures

Order symbol	Code	Dimensions	Description
CAB PCQ 604021 G	8113378	600 x 400 x 210	Cabinet, PC ▪ Grey cover
CAB PCQ 604027 G	8113478	600 x 400 x 270	Cabinet, PC ▪ Grey cover
CAB PCQ 604021 T	8113078	600 x 400 x 210	Cabinet, PC ▪ Smoked transparent cover
CAB PCQ 604027 T	8113178	600 x 400 x 270	Cabinet, PC ▪ Smoked transparent cover
CAB ABSQ 604021 G	8183378	600 x 400 x 210	Cabinet, ABS ▪ Grey cover
CAB ABSQ 604027 G	8183878	600 x 400 x 270	Cabinet, ABS ▪ Grey cover
CAB ABSQ 604021 T	8183078	600 x 400 x 210	Cabinet, ABS ▪ Smoked transparent cover
CAB ABSQ 604027 T	8183178	600 x 400 x 270	Cabinet, ABS ▪ Smoked transparent cover

## Accessories

Order symbol	Code	Dimensions	Description
EKIV 64H	4712300	570 x 370	Mounting plate
EKIV 37	4712128	35 x 366	DIN-35 Mounting rail
FP A 64	8392229	568 x 366	Swing-out door/Front plate (aluminium)
MB 12225 AL	8390007		Swing door set ▪ for aluminium front plates
FP 18x3-64	8392232	578 x 378	Front plate ▪ 3x18 modules
DRF 63/64	4712204		DIN rail frame set ▪ incl. a pair of metal profile bar, mounting screws and front plate holders
PAT 12040	4512040		Hinge set ▪ incl. screws





## ACCESSORIES

Order symbol	Code	Description
--------------	------	-------------

### Mounting plates (Galvanized steel, sheet thickness 1,5 mm)

EKIV 23	4712117	170 x 270
EKIV 33	4712118	270 x 270
EKIV 43	4712119	370 x 270
EKIV 44	4712289	370 x 370
EKIV 63	4712120	570 x 270 • Use with FA 12053
EKIV 64H	4712300	570 x 370



### Spacers

FA 12053	4712053	M5 self-cutting
FA 12052	4712052	M5 self-cutting



### DIN-35 Mounting rails (Galvanized steel, rail height 7,5 mm)

EKIV 17	4712126	35 x 166
EKIV 27	4712127	35 x 266
EKIV 37	4712128	35 x 366
EKIV 47	8392231	35 x 466



### Front plates (Aluminium, sheet thickness 1,5 mm)

FP A 23	8392226	166 x 268
FP A 33	8392227	266 x 268
FP A 43	8392224	266 x 368
FP A 44	8392272	368 x 368
FP A 63	8392399	266 x 568
FP A 64	8392229	568 x 366



### Swing door sets

MB 12225 AL	8390007	Swing door set • for aluminium front plates
MB 12225	8390001	Swing door set • for plastic front plates

### Front plate with module openings

FP 12-23	8392218	178 x 278 • 12 modules
FP 12-33	8392219	278 x 278 • 12 modules
FP 12x2-33	8392220	278 x 278 • 2x12 modules
FP 12x2-43	8392222	378 x 278 • 2x12 modules
FP 12x2-43 FP	8392223	378 x 278 • use with FP 12190
FP 12x3-43	8392221	378 x 278 • 3x12 modules
FP 18x2-44	8392286	378 x 378 • 2x18 modules
FP 18x3-64	8392232	578 x 378 • 3x18 modules



### DIN rail supports

FP 12190	4512190	DIN rail support
FP 12190SET	4712190	DIN rail support set

### Hinges and wall mounting

PAT 12040	4512040	Hinge set • incl. screws
FP 12017	4712045	Wall fastening lug (4 pcs) • incl. screws
SP 12087	4712087	Corner plug, red



## ACCESSORIES

Order symbol      Code      Description

### DIN rail frame sets

DRF 23	4712200	DIN rail frame set ▪ incl. a pair of metal profile bar, mounting screws and front plate holders
DRF 33	4712205	DIN rail frame set ▪ incl. a pair of metal profile bar, mounting screws and front plate holders
DRF 43/44	4712201	DIN rail frame set ▪ incl. a pair of metal profile bar, mounting screws and front plate holders
DRF 54	4712203	DIN rail frame set ▪ incl. a pair of metal profile bar, mounting screws and front plate holders
DRF 63/64	4712204	DIN rail frame set ▪ incl. a pair of metal profile bar, mounting screws and front plate holders



### Cover screw heads and mounting screws

CS 12137	4512137	Cover screw head, blue ▪ crossed head
SS 12136	4712136	Cover screw head, grey ▪ slotted head
HS 12112	4712112	Cover screw head, grey ▪ wing head
BS 12138	4712138	Cover screw head, grey ▪ blind head
QUICK SET	8390002	Set includes 4x CS 12137, 4x SP 12087 and 4 mounting screws
MSM PT 5x10	4712049	Mounting screw



## QUICK technical information

Property	Polycarbonate (PC)	ABS
Ingress Protection (EN 60529)	IP 66/IP 67	IP 66/IP 67
Impact Resistance (EN 62262)	IK 08	IK 08
Temperature Range Celsius (short term)	-40° . . 120°C	-40° . . 80°C
Temperature Range Celsius (continuous)	-40° . . 80°C	-40° . . 60°C
Temperature Range Fahrenheit (short term)	-40° . . 250°F	-40° . . 175°F
Temperature Range Fahrenheit (continuous)	-40° . . 175°F	-40° . . 140°F
Electrical Insulation	Totally insulated ☐	Totally insulated ☐
Light Grey Parts Colour	RAL 7035 Industry Grey	RAL 7035 Industry Grey
Transparent Clear PC Cover	Smoked Grey	Smoked Grey
Cover Screw Heads	RAL 5023 Polyamide (PA)	RAL 5023 Polyamide (PA)
Gasket	PUR	PUR
Enclosure Flammability Rating	UL 94-5V	UL 94HB
Glow Wire Test (IEC 695-2-1) Self-extinguishing (PC)	960°C	650°C
Non-toxicity	Halogen Free	Halogen Free
UV resistance	UL 508 720 hours in "Weatherometer"	
Chemical Resistance *	Good	Good

### Conformity to standards

**USA** Enclosures for Electrical Equipment  
PC: NEMA 1, 3, 3S, 4, 4X, 12 or 13; UL 746C-5VA flame test (UL 50/508)  
ABS: NEMA 1, 3, 3S, 4, 4X, 6, 6P, 12 or 13

**Canada** Industrial Control Equipment Enclosures for Electrical Equipment/ULc

**Europe** Empty enclosures for low-voltage switchgear and controlgear assemblies EN 62208:2003 (50298:1998)

**Europe** Safety of Information Technology Equipment EN 60950  
RoHS directive 2002/95/EC

**Russia** GostR - Gost Russian certificate of conformity

Data subject to change without notice.

\*Consult separate raw material data for more detailed information



**FIBOX – Solutions for demanding environments**

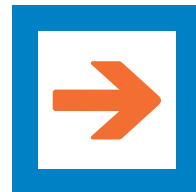


## Fibox SPACE LINK

SPACE LINK product family provides excellent solutions for installation applications. Quick Link system with flexible flange opening design allows easy and straightforward methods to connect enclosure assemblies together. Open bases which can be closed by blind or knock-out flanges provide excellent accessibility and wiring space for installation, mounting and cable connection even after coupling enclosures together.



# SPACE LINK



**Modular structure**



**Quick-Link – Easy assembly**



**RoHS compliant and halogen-free**

## Large flange openings for easy assembly

### COMPREHENSIVE ASSEMBLY SYSTEM

- New quick-link system plus a more rugged flange opening design making it easier to connect enclosure assemblies together.
- Flange support system works with popular bus bar systems (ABB, Wöhner, Weber, etc.) designed for 5 x 20 and 10 x 30 mm copper bars.
- DIN rail frames ease DIN module mounting and feature front plate corner brackets.
- Inspection windows with standard DIN 17.5/45 mm openings.

### EXTENSION FRAMES

Available in 400 x 400 mm and when stacked create additional depth in 100mm increments., for example, 170mm, 270mm, 370mm, etc.

### QUICK-LINK SYSTEM

Assembly of the enclosures faster than ever.

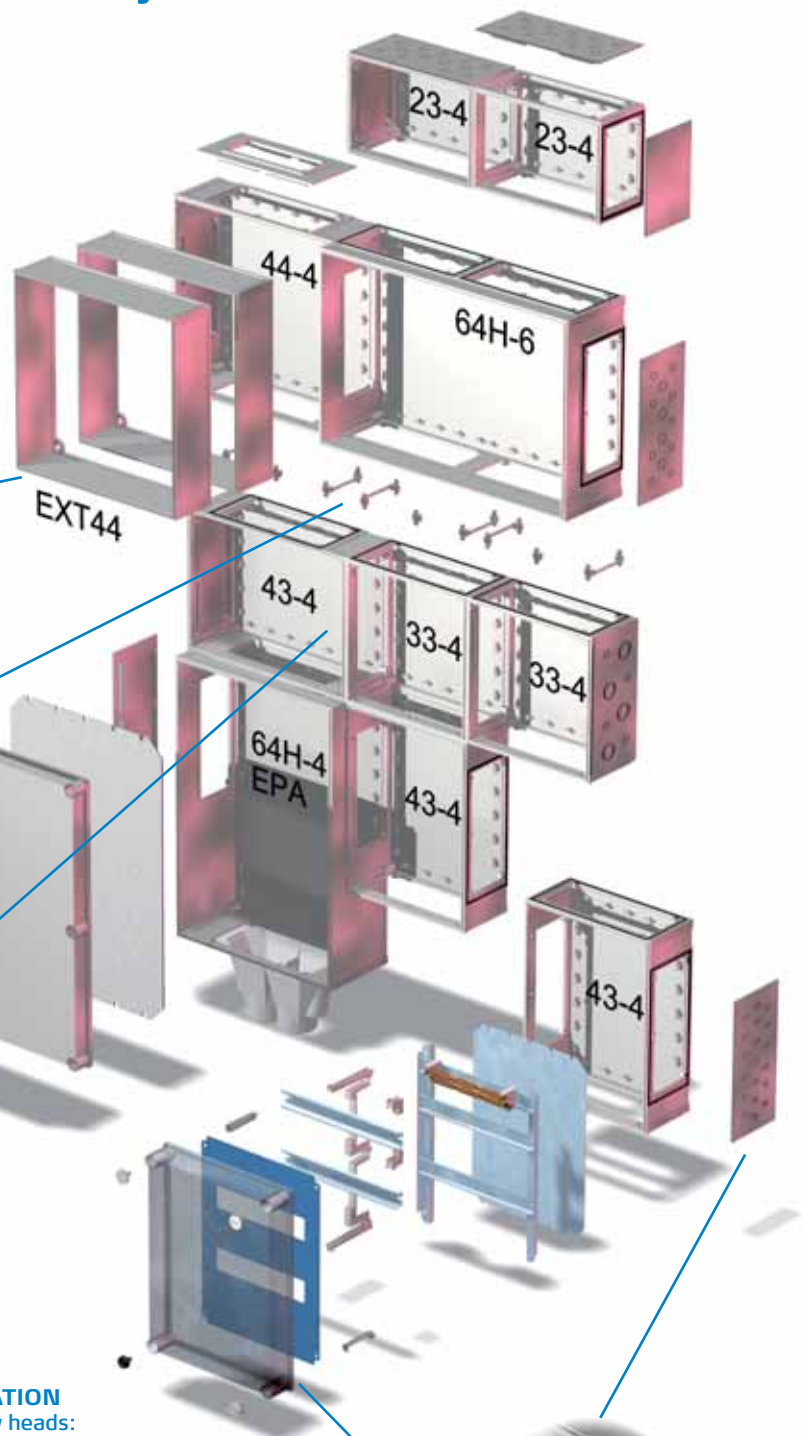


### 60 mm BUS-BAR SYSTEM



### ACCESSORIES TO CUSTOMIZE YOUR APPLICATION

- Quick turn cover screws feature alternative screw heads: slotted, wing, blind and Phillips.
- Unique corner brackets permit variable depth mounting of front plates, DIN rail frames and mounting plates
- Corner hinge brackets permit inner swing panel to open 90 degrees.
- Wall mounting may be done directly through rear of enclosure.
- Sealing plugs maintain the IP/NEMA rating. Alternatively, optional wall mounting feet may be added using the brass mounting inserts on the rear of the enclosure.
- Inspection windows provide access to components, while maintaining IP/NEMA ratings.
- Hinges, spacers, ventilators, etc.
- Flange plates with knockouts or blank.
- Variety of cable glands, strain relief and conduit fittings.



### SWING PANEL



### MOUNTING RAILS AND PLATES

Internal mounting options include metal mounting panels, blue polycarbonate front plates, DIN rail assemblies with variable depth spacers.

### SNAP-IN SYSTEM

Fastest way to assemble the flanges.



# SPACE LINK EKI 23

200 x 300

PC: IP 65, IK 08

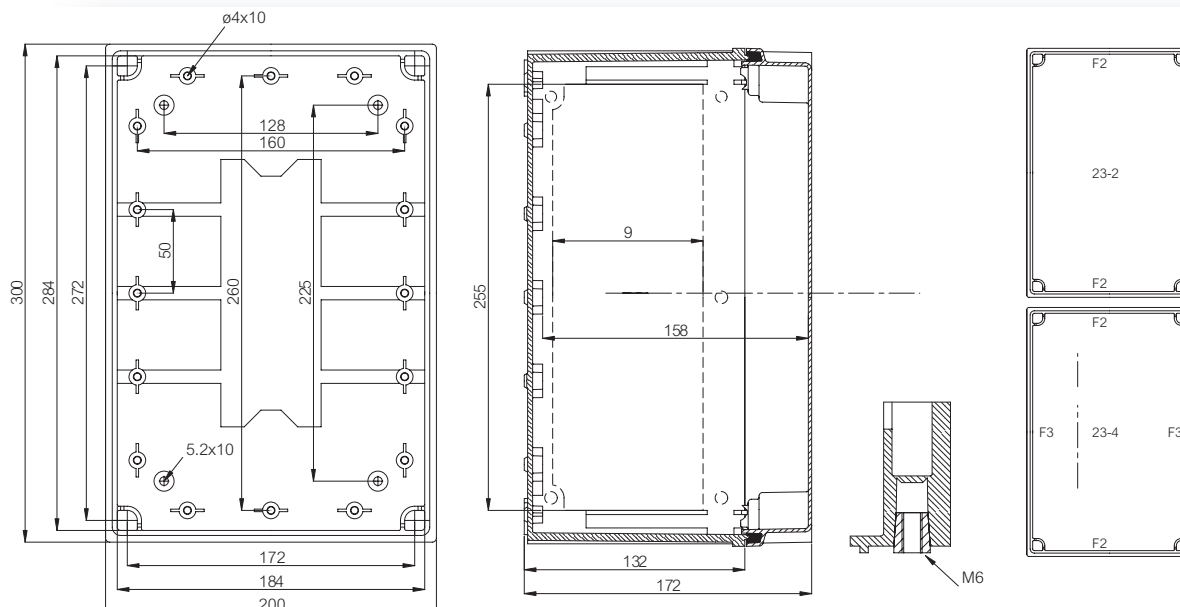
Including: Flanged Base with EPDM gasket at flange openings, screws for mounting plate/DIN-rail, internal corner plugs, cover with PUR gasket and CS 12137 cover screws.

## Enclosures

Order symbol	Code	Dimensions	Description
EKI 23-2-170 G	8153300	200 x 300 x 170	Enclosure PC ▪ Grey cover
EKI 23-4-170 G	8153301	200 x 300 x 170	Enclosure PC ▪ Grey cover
EKI 23-2-170 T	8153000	200 x 300 x 170	Enclosure PC ▪ Smoked transparent cover
EKI 23-4-170 T	8153001	200 x 300 x 170	Enclosure PC ▪ Smoked transparent cover
EKI 23-2	4512032	200 x 300 x 130	Base PC with 2 openings ▪ 2xF2
EKI 23-4	4512005	200 x 300 x 130	Base PC with 4 openings ▪ 2xF2+2xF3
EKI 23/40G	4712308	200 x 300 x 40	Cover ▪ Grey, PC
EKI 23/40T	4712008	200 x 300 x 40	Cover ▪ Smoked transparent, PC

## Accessories

Order symbol	Code	Dimensions	Description
EKIV 23	4712117	170 x 270	Mounting plate
EKIV 17	4712126	35 x 166	DIN-35 Mounting rail
EKIV 27	4712127	35 x 266	DIN-35 Mounting rail
FP A 23	8392226	166 x 268	Swing-out door/Front plate (aluminium)
MB 12225 AL	8390007		Swing door set ▪ for aluminium front plates
FP 23	8392285	268 x 176	Front plate ▪ Black
FP 12-23	8392218	178 x 278	Front plate ▪ 12 modules
DRF 23	4712200		DIN rail frame set ▪ incl. a pair of metal profile bar, mounting screws and front plate holders
DRF 33	4712205		DIN rail frame set ▪ incl. a pair of metal profile bar, mounting screws and front plate holders



# SPACE LINK

## EKI 33

300 x 300

PC: IP 65, IK 08



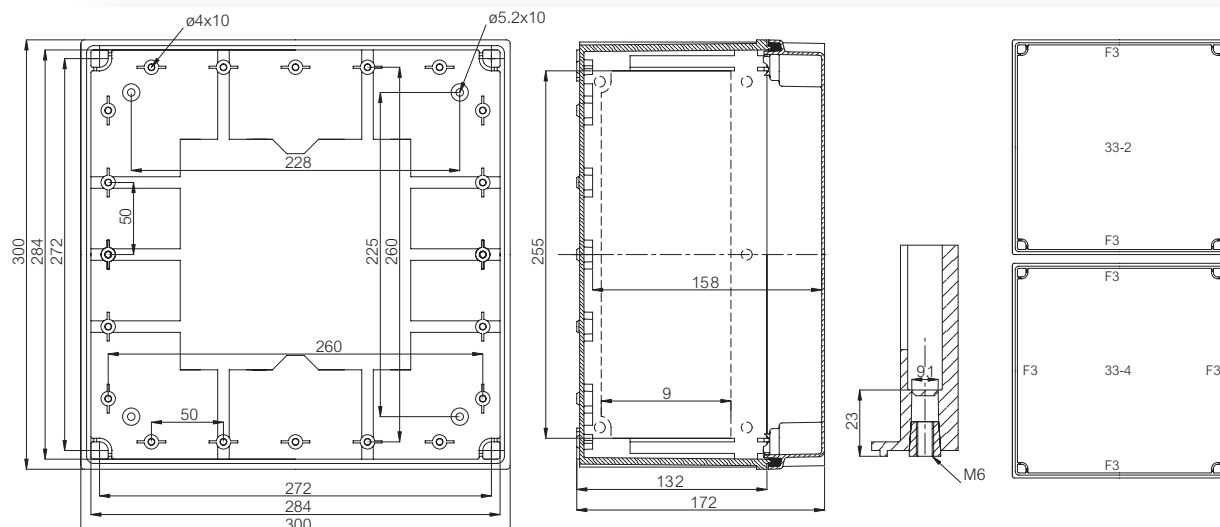
Including: Flanged Base with EPDM gasket at flange openings, screws for mounting plate/DIN-rail, internal corner plugs, cover with PUR gasket and CS 12137 cover screws.

### Enclosures

Order symbol	Code	Dimensions	Description
EKI 33-2-170 G	8153302	300 x 300 x 170	Enclosure PC ▪ Grey cover
EKI 33-4-170 G	8153303	300 x 300 x 170	Enclosure PC ▪ Grey cover
EKI 33-2-170 T	8153002	300 x 300 x 170	Enclosure PC ▪ Smoked transparent cover
EKI 33-4-170 T	8153003	300 x 300 x 170	Enclosure PC ▪ Smoked transparent cover
EKI 33-2	4512033	300 x 300 x 130	Base PC with 2 openings ▪ 2xF3
EKI 33-4	4512004	300 x 300 x 130	Base PC with 4 openings ▪ 4xF3
EKI 33/40G	4712307	300 x 300 x 40	Cover ▪ Grey, PC
EKI 33/40T	4712007	300 x 300 x 40	Cover ▪ Smoked transparent, PC

### Accessories

Order symbol	Code	Dimensions	Description
EKIV 33	4712118	270 x 270	Mounting plate
EKIV 27	4712127	35 x 266	DIN-35 Mounting rail
FP A 33	8392227	266 x 268	Swing-out door/Front plate (aluminium)
MB 12225 AL	8390007		Swing door set ▪ for aluminium front plates
FP 33	8392305	276 x 268	Front plate ▪ Black
FP 12-33	8392219	278 x 278	Front plate ▪ 12 modules
FP 12x2-33	8392220	278 x 278	Front plate ▪ 2x12 modules
DRF 33	4712205		DIN rail frame set ▪ incl. a pair of metal profile bar, mounting screws and front plate holders





# SPACE LINK EKI 43

400 x 300

PC: IP 65, IK 08

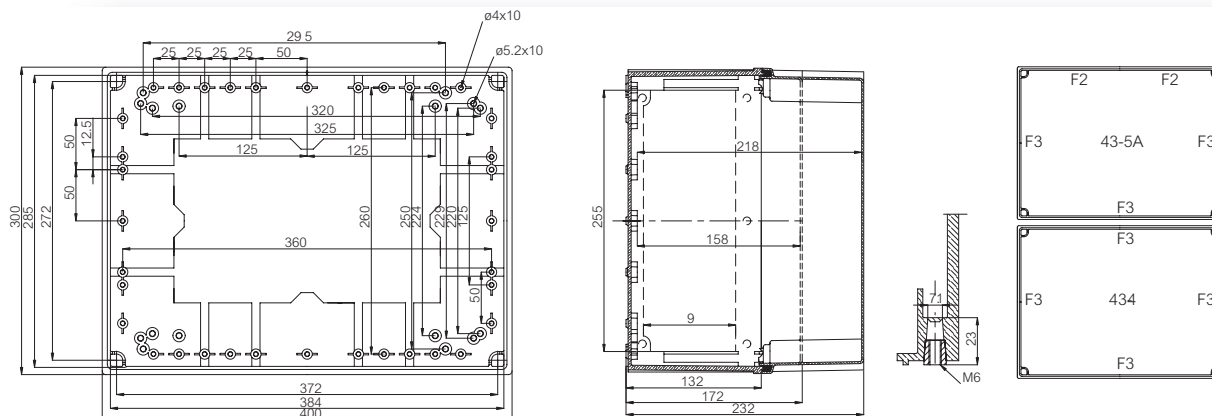
Including: Flanged Base with EPDM gasket at flange openings, screws for mounting plate/DIN-rail, internal corner plugs, cover with PUR gasket and CS 12137 cover screws.

## Enclosures

Order symbol	Code	Dimensions	Description
EKI 43-4-170 G	8153306	400 x 300 x 170	Enclosure PC ▪ Grey cover
EKI 43-4-230 G	8153307	400 x 300 x 230	Enclosure PC ▪ Grey cover
EKI 43-5A-170 G	8153304	400 x 300 x 170	Enclosure PC ▪ Grey cover
EKI 43-5A-230 G	8153305	400 x 300 x 230	Enclosure PC ▪ Grey cover
EKI 43-4-170 T	8153006	400 x 300 x 170	Enclosure PC ▪ Smoked transparent cover
EKI 43-4-230 T	8153007	400 x 300 x 230	Enclosure PC ▪ Smoked transparent cover
EKI 43-5A-170 T	8153004	400 x 300 x 170	Enclosure PC ▪ Smoked transparent cover
EKI 43-5A-230 T	8153005	400 x 300 x 230	Enclosure PC ▪ Smoked transparent cover
EKI 43-2	4512034	400 x 300 x 130	Base PC with 2 openings ▪ 2xF3
EKI 43-4	4512006	400 x 300 x 130	Base PC with 4 openings ▪ 4xF3
EKI 43-5A	4512197	400 x 300 x 130	Adapter base PC with 5 openings ▪ 2xF2+3xF3
EKI 43/40G	4712309	400 x 300 x 40	Cover ▪ Grey, PC
EKI 43/100G	4712311	400 x 300 x 100	Cover ▪ Grey, PC
EKI 43/40T	4712009	400 x 300 x 40	Cover ▪ Smoked transparent, PC
EKI 43/100T	4712011	400 x 300 x 100	Cover ▪ Smoked transparent, PC

## Accessories

Order symbol	Code	Dimensions	Description
EKIV 43	4712119	370 x 270	Mounting plate
EKIV 27	4712127	35 x 266	DIN-35 Mounting rail
EKIV 37	4712128	35 x 366	DIN-35 Mounting rail
FP A 43	8392224	266 x 368	Swing-out door/Front plate (aluminium)
MB 12225 AL	8390007		Swing door set ▪ for aluminium front plates
FP 43	8392306	376 x 268	Front plate ▪ Black
FP 12x2-43	8392222	378 x 278	Front plate ▪ 2x12 modules
FP 12x3-43	8392221	378 x 278	Front plate ▪ 3x12 modules
DRF 43/44	4712201		DIN rail frame set ▪ incl. a pair of metal profile bar, mounting screws and front plate holders





# SPACE LINK EKI 44

400 x 400

PC: IP 65, IK 08

Including: Flanged Base with EPDM gasket at flange openings, screws for mounting plate/DIN-rail, internal corner plugs, cover with PUR gasket and CS 12137 cover screws.

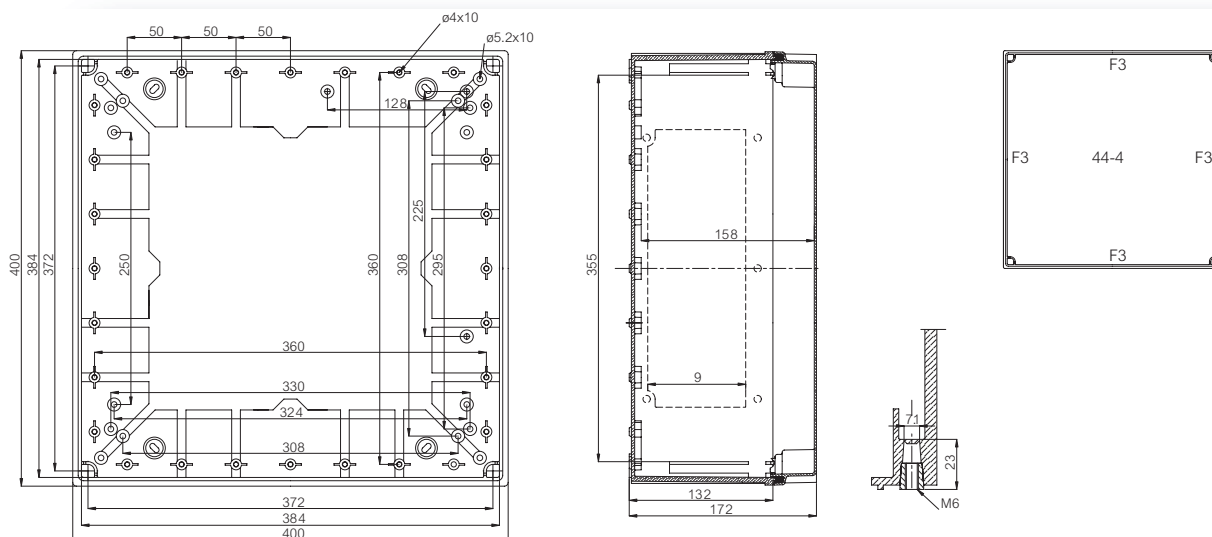


## Enclosures

Order symbol	Code	Dimensions	Description
EKI 44-4-170 G	8153308	400 x 400 x 170	Enclosure PC ▪ Grey cover
EKI 44-4-170 T	8153008	400 x 400 x 170	Enclosure PC ▪ Smoked transparent cover
EKI 44-4	4512263	400 x 400 x 130	Base PC with 4 openings ▪ 4xF3
EKI 44/40G	4712366	400 x 400 x 40	Cover ▪ Grey, PC
EKI 44/40T	4712266	400 x 400 x 40	Cover ▪ Smoked transparent, PC

## Accessories

Order symbol	Code	Dimensions	Description
EKIV 44	4712289	370 x 370	Mounting plate
EKIV 37	4712128	35 x 366	DIN-35 Mounting rail
FP A 44	8392272	368 x 368	Swing-out door/Front plate (aluminium)
MB 12225 AL	8390007		Swing door set ▪ for aluminium front plates
FP 44	8392316	376 x 368	Front plate ▪ Black
FP 18x2-44	8392286	378 x 378	Front plate ▪ 2x18 modules
EKI EXT 44	4512265	400 x 400 x 100	Extension frame
DRF 43/44	4712201		DIN rail frame set ▪ incl. a pair of metal profile bar, mounting screws and front plate holders





# SPACE LINK EKI 63

600 x 300

PC: IP 65, IK 08

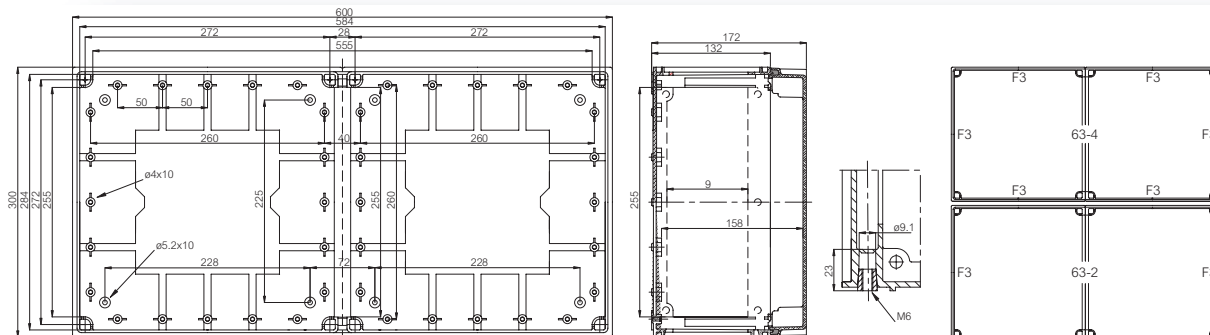
Including: Flanged Base with EPDM gasket at flange openings, screws for mounting plate/DIN-rail, internal corner plugs, cover with PUR gasket and CS 12137 cover screws.

## Enclosures

Order symbol	Code	Dimensions	Description
EKI 63-6-170 G	8153309	600 x 300 x 170	Enclosure PC ▪ Grey cover
EKI 63-6-170 T	8153009	600 x 300 x 170	Enclosure PC ▪ Smoked transparent cover
EKI 63-6	4512030	600 x 300 x 130	Base PC with 6 openings ▪ 6x F3
EKI 63/40G	4712310	600 x 300 x 40	Cover ▪ Grey, PC
EKI 63/40T	4712010	600 x 300 x 40	Cover ▪ Smoked transparent, PC

## Accessories

Order symbol	Code	Dimensions	Description
EKIV 63	4712120	570 x 270	Mounting plate ▪ Use with FA 12053
FA 12053	4712053		Spacer 14 mm ▪ M5 self-cutting
EKIV 37	4712128	35 x 366	DIN-35 Mounting rail
FP A 63	8392399	266 x 568	Swing-out door/Front plate (aluminium)
MB 12225 AL	8390007		Swing door set ▪ for aluminium front plates
FP 63	8392318	576 x 268	Front plate ▪ Black
FP 12x3-63	8392314	578 x 278	Front plate ▪ 3x12 modules
DRF 33	4712205		DIN rail frame set ▪ incl. a pair of metal profile bar, mounting screws and front plate holders



# SPACE LINK EKI 64

600 x 400

PC: IP 65, IK 08

Including: Flanged Base with EPDM gasket at flange openings, screws for mounting plate/DIN-rail, internal corner plugs, cover with PUR gasket and CS 12137 cover screws.

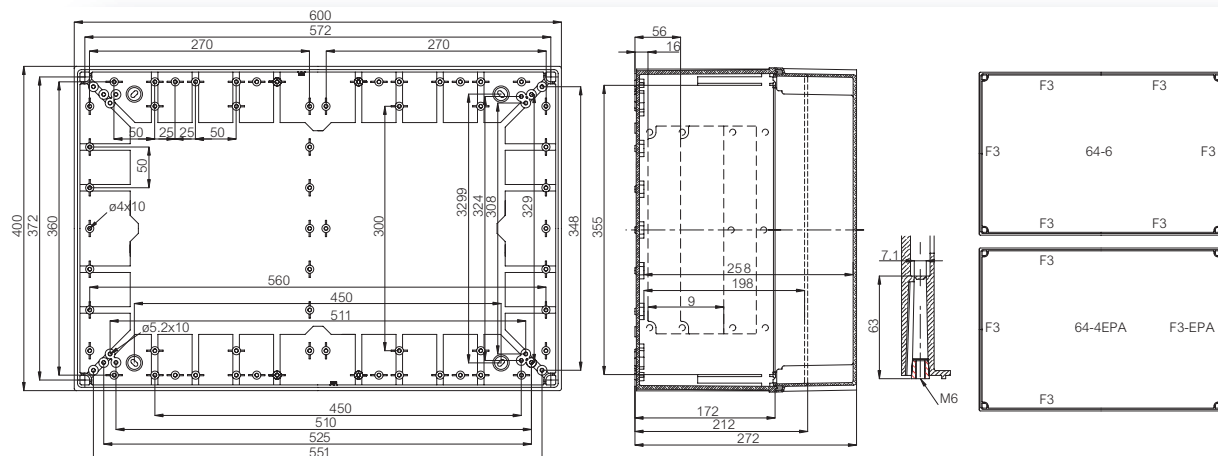


## Enclosures

Order symbol	Code	Dimensions	Description
EKI 64H-6-210 G	8153312	600 x 400 x 210	Enclosure PC ▪ Grey cover
EKI 64H-6-270 G	8153313	600 x 400 x 270	Enclosure PC ▪ Grey cover
EKI 64H-4EPA-210 G	8153310	600 x 400 x 210	Enclosure PC ▪ Grey cover
EKI 64H-4EPA-270 G	8153311	600 x 400 x 270	Enclosure PC ▪ Grey cover
EKI 64H-6-210 T	8153012	600 x 400 x 210	Enclosure PC ▪ Smoked transparent cover
EKI 64H-6-270 T	8153013	600 x 400 x 270	Enclosure PC ▪ Smoked transparent cover
EKI 64H-4EPA-210 T	8153010	600 x 400 x 210	Enclosure PC ▪ Smoked transparent cover
EKI 64H-4EPA-270 T	8153011	600 x 400 x 270	Enclosure PC ▪ Smoked transparent cover
EKI 64H-6	4512275	600 x 400 x 170	Base PC with 6 openings ▪ 6xF3
EKI 64H-4EPA	4512270	600 x 400 x 170	Base PC with 4 openings ▪ 3xF3+F3-EPA
EKI 64/40G	4712312	600 x 400 x 40	Cover ▪ Grey, PC
EKI 64/100G	4712313	600 x 400 x 100	Cover ▪ Grey, PC
EKI 64/40T	4712012	600 x 400 x 40	Cover ▪ Smoked transparent, PC
EKI 64/100T	4712013	600 x 400 x 100	Cover ▪ Smoked transparent, PC

## Accessories

Order symbol	Code	Dimensions	Description
EKIV 64H	4712300	570 x 370	Mounting plate
EKIV 37	4712128	35 x 366	DIN-35 Mounting rail
FP A 64	8392229	568 x 366	Swing-out door/Front plate (aluminium)
MB 12225 AL	8390007		Swing door set ▪ for aluminium front plates
FP 64	8392319	576 x 368	Front plate ▪ Black
FP 18x3-64	8392232	578 x 378	Front plate ▪ 3x18 modules
DRF 63/64	4712204		DIN rail frame set ▪ incl. a pair of metal profile bar, mounting screws and front plate holders



## ACCESSORIES

Order symbol      Code      Description

### Mounting plates (Galvanized steel, sheet thickness 1,5 mm)

EKIV 23	4712117	170 x 270
EKIV 33	4712118	270 x 270
EKIV 43	4712119	370 x 270
EKIV 44	4712289	370 x 370
EKIV 63	4712120	570 x 270 • Use with FA 12053
EKIV 64H	4712300	570 x 370



### DIN-35 Mounting rails (Galvanized steel, rail height 7,5 mm)

EKIV 17	4712126	35 x 166
EKIV 27	4712127	35 x 266
EKIV 37	4712128	35 x 366
EKIV 47	8392231	35 x 466



### DIN rail frame sets

DRF 23	4712200	DIN rail frame set • incl. a pair of metal profile bar, mounting screws and front plate holders
DRF 33	4712205	DIN rail frame set • incl. a pair of metal profile bar, mounting screws and front plate holders
DRF 43/44	4712201	DIN rail frame set • incl. a pair of metal profile bar, mounting screws and front plate holders
DRF 63/64	4712204	DIN rail frame set • incl. a pair of metal profile bar, mounting screws and front plate holders



### Front plates (Aluminium, sheet thickness 1,5 mm)

FP A 23	8392226	166 x 268
FP A 33	8392227	266 x 268
FP A 43	8392224	266 x 368
FP A 44	8392272	368 x 368
FP A 63	8392399	266 x 568
FP A 64	8392229	568 x 366



### Swing door sets

MB 12225 AL	8390007	Swing door set • for aluminium front plates
MB 12225	8390001	Swing door set • for plastic front plates



### Front plate with module openings

FP 12-23	8392218	178 x 278 • 12 modules
FP 12-33	8392219	278 x 278 • 12 modules
FP 12x2-33	8392220	278 x 278 • 2x12 modules
FP 12x2-43	8392222	378 x 278 • 2x12 modules
FP 12x2-43 FP	8392223	378 x 278 • use with FP 12190
FP 12x3-43	8392221	378 x 278 • 3x12 modules
FP 18x2-44	8392286	378 x 378 • 2x18 modules
FP 12x3-63	8392314	578 x 278 • 3x12 modules
FP 18x3-64	8392232	578 x 378 • 3x18 modules

### DIN rail supports

FP 12190	4512190	DIN rail support
FP 12190SET	4712190	DIN rail support set

### Formed front plates

FP 23	8392285	268 x 176 • Black
FP 33	8392305	276 x 268 • Black
FP 43	8392306	376 x 268 • Black
FP 44	8392316	376 x 368 • Black
FP 63	8392318	576 x 268 • Black
FP 64	8392319	576 x 368 • Black

### Hinges and wall mounting

PAT 12040	4512040	Hinge set • incl. screws
PAT 12090	4512094	Hinge set
FP 12017	4712045	Wall fastening lug (4 pcs) • incl. screws
SP 12087	4712087	Corner plug, red



## ACCESSORIES

Order symbol	Code	Description
--------------	------	-------------

### Cover screw heads and mounting screws

CS 12137	4512137	Cover screw head, blue ▪ crossed head
SS 12136	4712136	Cover screw head, grey ▪ slotted head
HS 12112	4712112	Cover screw head, grey ▪ wing head
BS 12138	4712138	Cover screw head, grey ▪ blind head
QUICK SET	8390002	Set includes 4x CS 12137, 4x SP 12087 and 4 mounting screws
MSM PT 5x10	4712049	Mounting screw
MSF	4712163	Mounting screw, self-cutting (+washer) ▪ for gland plate security mounting



### Spacers

FA 12053	4712053	Spacer 14 mm ▪ M5 self-cutting
FA 12052	4712052	Spacer 42 mm ▪ M5 self-cutting
MB 10686	3730686	Set of 2 spacers including screws ▪ (15/34 mm)



### Terminal bus-bars and supports

BBSF	4712386	Bush-bar support flange
BBSF LP	4712387	Lowering piece ▪ for bus.bar in BBSF
MS BAR 7 B	4712234	Earth bus-bar, DIN rail clip-on ▪ Blue
MS BAR 7 GY	4712235	Neutral Bus Bar, DIN rail clip-on ▪ Green/Yellow
MS TS	4712233	Terminal support, DIN rail clip-on
KN 2.9x9.5	3570566	Screw for busbar mounting to MS TS
MS BAR 2+18	4712199	PE/N terminal bus-bar 25+ 10 mm <sup>2</sup>
MS BAR 3+24	4712236	Earth/Neutral Terminal bus-bar
MS BAR 96	4712231	Earth/Neutral Terminal bus-bar
MS BAR CLAMP	4712232	Terminal bus-bar clamp, 25 mm <sup>2</sup>
MR 26145	5026145	Terminal bus-bar clamp, 35 mm <sup>2</sup>

### Polycarbonate plates

F3/12014	4512014	Cover plate, size F3
F3/12022	4512022	Polycarbonate flange, size F3 ▪ 12xPG16/9+7xPG16
F3/12088	4512088	Cable gland plate, size F3 ▪ 4xPG36/29+4xPG16
F3/12028	4512028	Cable gland plate, size F3 ▪ 4xPG21+9xPG16
F3/12187	4512187	Knock-out plate, size F3 ▪ 6xM20/M25+4xM25/M32
F3/12023	4512023	Cable gland plate, size F3 ▪ C-opening (SFS)
F3/EPA	4712288	Cable entry set, C-opening, size F3 ▪ incl. MB 12288 plate+2xFA 12114
F2/12015	4512015	Cover plate, size F2
F2/12042	4512042	Cable gland plate, size F2 ▪ 6xPG16/9+5xPG16
F2/12041	4512041	Cable gland plate, size F2 ▪ 4xPG16+3xPG21
F2/12069	4512069	Cable gland plate, size F2 ▪ 2xPG36+1xPG16
F2/12089	4512089	Cable gland plate, size F2 ▪ 4xPG16+3xPG29
F2/12238	4512238	Cable gland plate, size F2 ▪ 2xM50/M40+3xM20

### Cable support flanges

F2/12291	4512291	Cable support flange, size F2
F3/12290	4512290	Cable support flange, size F3

### Cable entry - Direct mount to flange opening

F2/12102	4512102	Cable entry, size F2 ▪ for cable 1x30-60 mm
F3/12101	4512101	Cable entry, size F3 ▪ for cable 2x30-60 mm
MB F3F2	4712224	Cable entry mounting set ▪ incl.supports and screws
MK 10428	3510428	Rubber cushion, size 2 ▪ for cable entry



### Enclosure base assembly

MB 12287F3 set	4712287	Connector set
FA 12109	4712109	Lock pin set

### Fastening of big systems

EKSZY2	3570572	Stud rail ▪ standard lenght 2000 mm
EKIY 1	4712408	Connecting rail ▪ standard lenght 2000 mm
EKZKH1	3570613	Sleeve lock for connecting rail

## SPACE LINK technical information

Property	Polycarbonate (PC)
Ingress Protection (EN 60529)	IP 65
Impact Resistance (EN 62262)	IK 08
Temperature Range Celsius	-40° . . 120°C
(short term) Fahrenheit	-40° . . 250°F
Temperature Range Celsius	-40° . . 80°C
(continuous) Fahrenheit	-40° . . 175°F
Electrical Insulation	Totally insulated B
Light Grey Parts Colour	RAL 7035 Industry Grey
Transparent Clear PC Cover	Smoked Grey
Cover Screw Heads	RAL 5023
Cover Screw Heads	Polyamide (PA)
Gasket	PUR/EPDM
Enclosure Flammability Rating	UL 94-5V
Glow Wire Test (IEC 695-2-1) Self-extinguishing (PC)	960°C
Non-toxicity	Halogen Free
UV resistance	UL 508 720 hours in "Weatherometer"
Chemical Resistance *	Good

### Confirmity to standards

**USA** Enclosures for Electrical Equipment  
PC: NEMA 1, 3, 3S, 12 or 13; UL 746C-5VA flame test  
(UL 50/508)

**Canada** Industrial Control Equipment  
Enclosures for Electrical Equipment/ULc

**Europe** Empty enclosures for low-voltage switchgear and  
controlgear assemblies EN 62208:2003 (50298:1998)

**Europe** Safety of Information Technology Equipment  
EN 60950

RoHS directive 2002/95/EC

**Russia** GostR - Gost Russian certificate of conformity

Data subject to change without notice.

\*Consult separate raw material data for more detailed information



**FIBOX – Solutions for demanding environments**

## Fibox CARDMASTER

CARDMASTER range is ideal for packaging instrumentation, measurement, monitoring and process control equipment. It provides two compartments - one for circuit boards and sensors with slots for printed circuit board insertion, and another one for terminal and wiring. All sizes are available in both polycarbonate and ABS.



# CARDMASTER



Separate terminal wiring compartment



NEMA 4X compliant



RoHS compliant and halogen-free



# CARDMASTER

## PC/ABS 17/16 L

188 x 160

PC: IP 65, IK 07/IK 08  
ABS: IP 65, IK 07



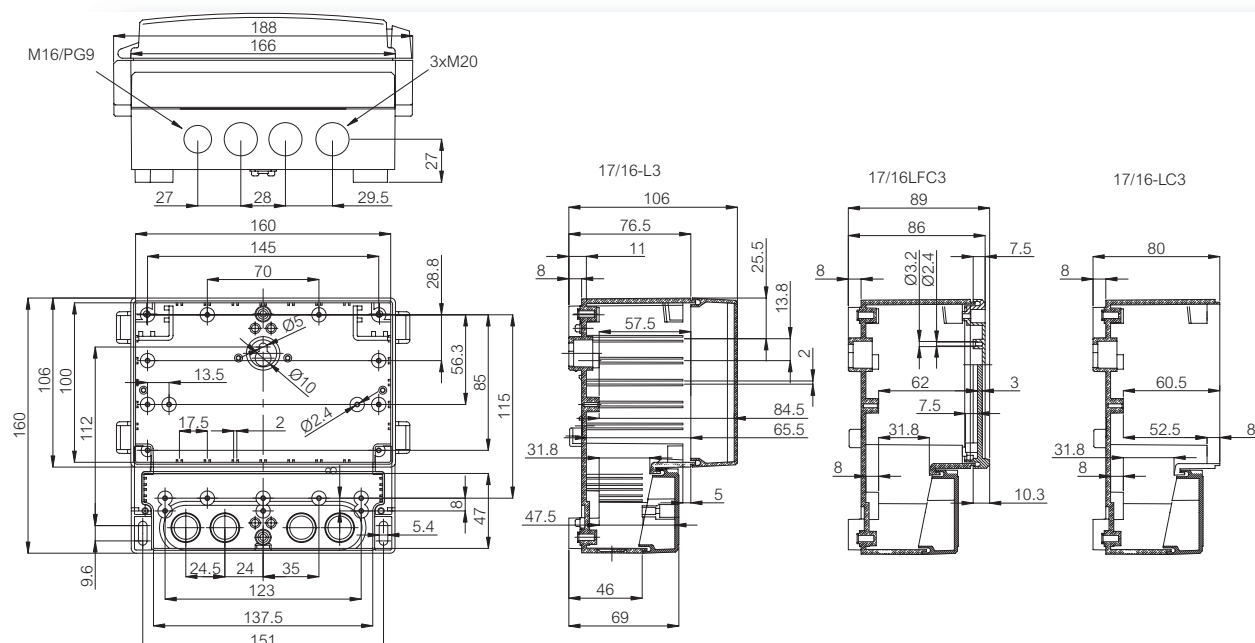
Including: Base, terminal compartment cover with EPDM gasket and screws for mounting plate/DIN-rail.  
-3 and -L3 versions: Transparent cover with PUR gasket, hinges, locking devices; FC version: Closed PC frame front plate with PUR gasket and cover screws.

### Enclosures

Order symbol	Code	Dimensions	Description
PC 17/16-LC3	7520104	166 x 160 x 80	Enclosure, PC • Without main cover
PC 17/16-L3	7525105	188 x 160 x 106	Enclosure, PC • Smoked transparent hinged cover
PC 17/16-L3TT	7526105	188 x 160 x 106	Enclosure, PC • Clear transparent hinged cover
PC 17/16-LFC3	7520204	166 x 160 x 89	Enclosure, PC • Grey screw cover
ABS 17/16-LC3	7580104	166 x 160 x 80	Enclosure, ABS • Without main cover
ABS 17/16-L3	7585105	188 x 160 x 106	Enclosure, ABS • Smoked transparent hinged cover
ABS 17/16-L3TT	7586105	188 x 160 x 106	Enclosure, ABS • Clear transparent hinged cover

### Accessories

Order symbol	Code	Dimensions	Description
MP 17/16	7720071	136 x 133	Mounting plate
FP 17/16	7720070	158 x 98	Front plate (aluminium)
FC PC 17/16	7720102	166 x 106 x 16	Frame of PC front plate





# CARDMASTER PC/ABS 17/16

188 x 160

PC: IP 65, IK 07/IK 08  
ABS: IP 65, IK 07

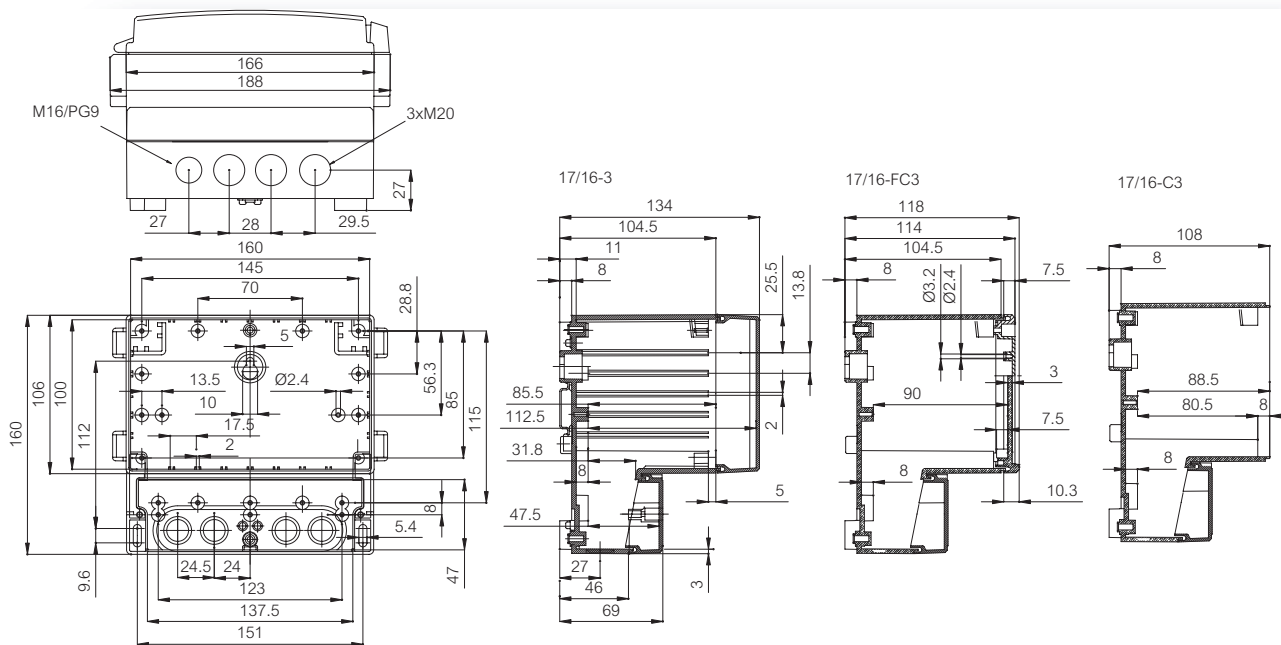
Including: Base, terminal compartment cover with EPDM gasket and screws for mounting plate/DIN-rail.  
-3 and -L3 versions: Transparent cover with PUR gasket, hinges, locking devices; FC version: Closed PC frame front plate with PUR gasket and cover screws.

## Enclosures

Order symbol	Code	Dimensions	Description
PC 17/16-C3	7520080	166 x 160 x 108	Enclosure, PC • Without main cover
PC 17/16-3	7525165	188 x 160 x 134	Enclosure, PC • Smoked transparent hinged cover
PC 17/16-3TT	7526165	188 x 160 x 134	Enclosure, PC • Clear transparent hinged cover
PC 17/16-FC3	7520280	166 x 160 x 118	Enclosure, PC • Grey screw cover
ABS 17/16-C3	7580080	166 x 160 x 108	Enclosure, ABS • Without main cover
ABS 17/16-3	7585165	188 x 160 x 134	Enclosure, ABS • Smoked transparent hinged cover
ABS 17/16-3TT	7586165	188 x 160 x 134	Enclosure, ABS • Clear transparent hinged cover

## Accessories

Order symbol	Code	Dimensions	Description
MP 17/16	7720071	136 x 133	Mounting plate
FP 17/16	7720070	158 x 98	Front plate (aluminium)
FC PC 17/16	7720102	166 x 106 x 16	Frame of PC front plate







# CARDMASTER

## PC/ABS 25/22

280 x 219

PC: IP 65, IK 07/IK 08  
ABS: IP 65, IK 07

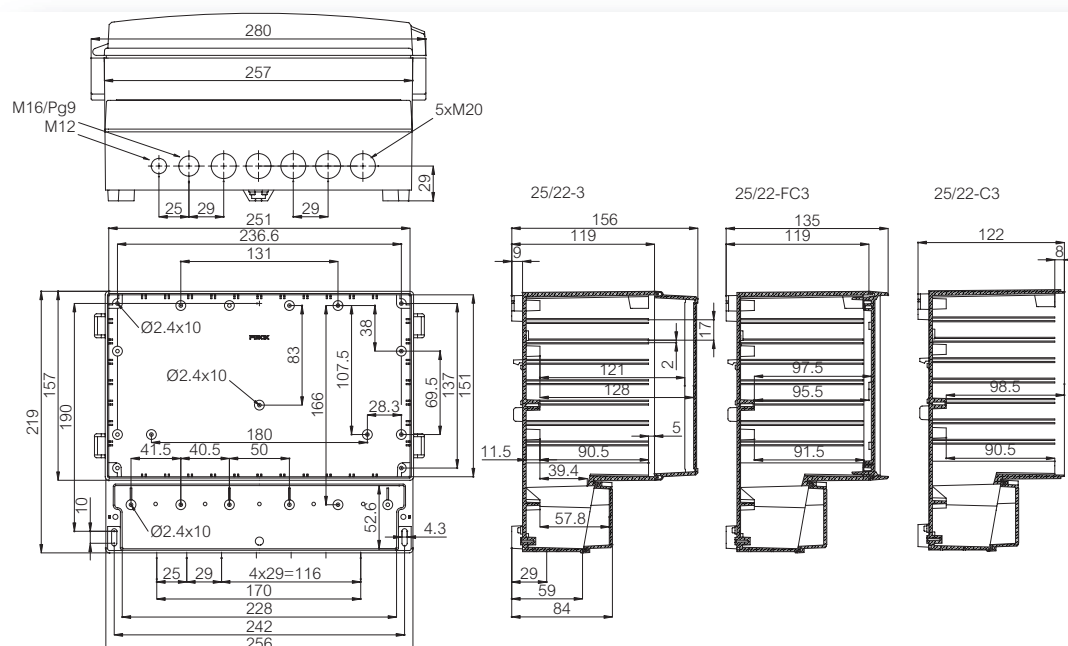
Including: Base, terminal compartment cover with EPDM gasket and screws for mounting plate/DIN-rail. -3 and -L3 versions: Transparent cover with PUR gasket, hinges, locking devices; FC version: Closed PC frame front plate with PUR gasket and cover screws.

### Enclosures

Order symbol	Code	Dimensions	Description
PC 25/22-C3	7520141	257 x 219 x 122	Enclosure, PC • Without main cover
PC 25/22-3	7525134	280 x 219 x 156	Enclosure, PC • Smoked transparent hinged cover
PC 25/22-3TT	7526134	280 x 219 x 156	Enclosure, PC • Clear transparent hinged cover
PC 25/22-FC3	7520241	257 x 219 x 135	Enclosure, PC • Grey screw cover
ABS 25/22-C3	7580141	257 x 219 x 122	Enclosure, ABS • Without main cover
ABS 25/22-3	7585134	280 x 219 x 156	Enclosure, ABS • Smoked transparent hinged cover
ABS 25/22-3TT	7586134	280 x 219 x 156	Enclosure, ABS • Clear transparent hinged cover

### Accessories

Order symbol	Code	Dimensions	Description
MP 25/22	7720140	225 x 175	Mounting plate
FP 25/22	7720139	250 x 150	Front plate (aluminium)
FC PC 25/22	7720111	257 x 157 x 30	Frame of PC front plate



# CARDMASTER PC/ABS 30/25

320 x 260

PC: IP 65, IK 07/IK 08  
ABS: IP 65, IK 07



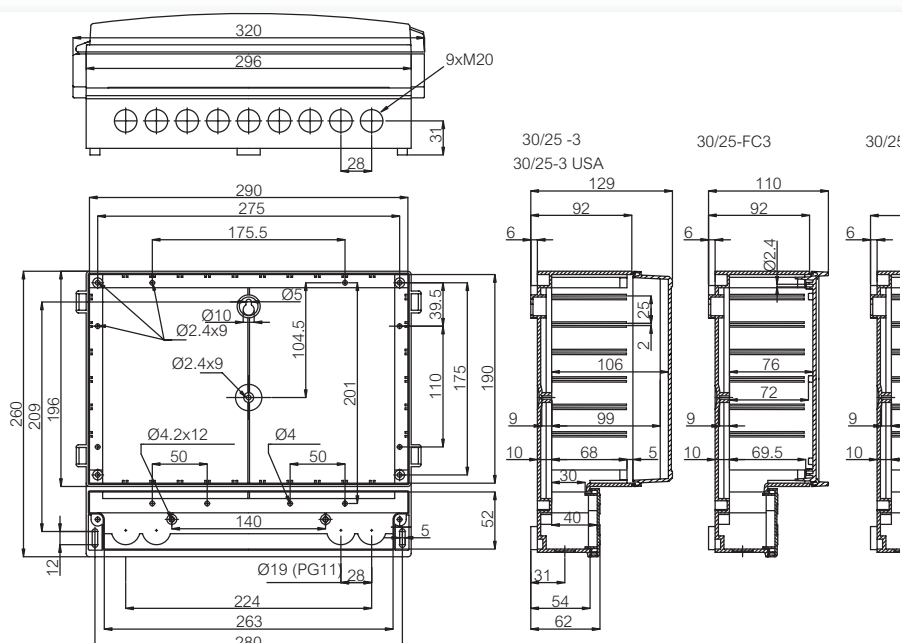
Including: Base, terminal compartment cover with EPDM gasket and screws for mounting plate/DIN-rail.  
-3 and -L3 versions: Transparent cover with PUR gasket, hinges, locking devices; FC version: Closed PC frame front plate with PUR gasket and cover screws.

## Enclosures

Order symbol	Code	Dimensions	Description
PC 30/25-C3	7520031	314 x 260 x 95	Enclosure, PC • With aluminium front plate
PC 30/25-3	7525019	320 x 260 x 129	Enclosure, PC • Smoked transparent hinged cover
PC 30/25-3TT	7526019	320 x 260 x 129	Enclosure, PC • Clear transparent hinged cover
PC 30/25-FC3	7520231	314 x 260 x 110	Enclosure, PC • Grey screw cover
ABS 30/25-C3	7580031	314 x 260 x 95	Enclosure, ABS • With aluminium front plate
ABS 30/25-3	7585019	320 x 260 x 129	Enclosure, ABS • Smoked transparent hinged cover
ABS 30/25-3TT	7586019	320 x 260 x 129	Enclosure, ABS • Clear transparent hinged cover

## Accessories

Order symbol	Code	Dimensions	Description
MP 30/25	7720033	282 x 215	Mounting plate
FP 30/25	7720027	289 x 189	Front plate (aluminium)
FC PC 30/25	7720112	296 x 196 x 30	Frame of PC front plate





## ACCESSORIES

Order symbol      Code      Description

### Mounting plates (Galvanized steel, sheet thickness 1,5 mm)

MP 17/16	7720071	136 x 133
MP 21/18	7720035	142 x 200
MP 25/22	7720140	225 x 175
MP 30/25	7720033	282 x 215
MP 36/31	7720036	345 x 258

### Front plates (Aluminium, sheet thickness 1,5 mm)

FP 17/16	7720070	158 x 98
FP 21/18	7720026	205 x 117
FP 25/22	7720139	250 x 150
FP 30/25	7720027	289 x 189
FP 36/31	7720028	354 x 224

### Frames IP 65 (Polycarbonate, PUR Gasket)

FC PC 17/16	7720102	166 x 106 x 16
FC PC 21/18	7720100	213 x 125 x 20
FC PC 25/22	7720111	257 x 157 x 30
FC PC 30/25	7720112	296 x 196 x 30

### Smoked transparent covers (Polycarbonate, PUR Gasket)

CM 17/16-3T	7720123	187 x 106 x 30
CM 21/18-3T	7720122	233 x 125 x 31
CM 25/22-3T	7720134	279 x 157 x 36
CM 30/25-3T	7720094	318 x 196 x 36
CM 36/31-3T	7720113	386 x 233 x 37

### Clear transparent covers (Polycarbonate, PUR Gasket)

CM 17/16-3TT	7720223	187 x 106 x 30
CM 21/18-3TT	7720222	233 x 125 x 31
CM 25/22-3TT	7720234	279 x 157 x 36
CM 30/25-3TT	7720294	318 x 196 x 36
CM 36/31-3TT	7720213	386 x 233 x 37

### Hinges and wall mounting

SET 17/16-21/18-3	7720417	Set of hinges and latches
SET 25/22-3	7720424	Set of hinges and latches
SET 30/25-3	7720418	Set of hinges and latches
SET 36/31-3	7720419	Set of hinges and latches
FP 10674	5510674	Wall fastening lug (2 pcs) • incl. screws

### Mounting screws and other accessories

SET CM PLATE	7720566	Screw set • incl. 8 mounting screws and 2 locking screws
SET CM FRAME	7720150	Screw set • Incl. wall mounting cover plug and 4 mounting screws
MB 20064 SET	7720464	Fastening lug set for DIN rail



## CARDMASTER technical information

Property	Polycarbonate (PC)	ABS
Ingress Protection (EN 60529)	IP 65	IP 65
Impact Resistance (EN 62262)	IK 07 (side surface) IK 08 (front surface)	IK 07
Temperature Range Celsius (short term)	-40° . . 120°C	-40° . . 80°C
Temperature Range Celsius (continuous)	-40° . . 80°C	-40° . . 60°C
Fahrenheit	-40° . . 250°F	-40° . . 175°F
Fahrenheit	-40° . . 175°F	-40° . . 140°F
Electrical Insulation	Totally insulated ☐	Totally insulated ☐
Light Grey Parts Colour	RAL 7035 Industry Grey	RAL 7035 Industry Grey
Transparent Clear PC Cover	Smoked Grey or Clear	Smoked Grey or Clear
Latches (PA)	RAL 5023	RAL 5023
Gasket	PUR/EPDM	PUR/EPDM
Enclosure Flammability Rating	UL 94-5V	UL 94HB
Glow Wire Test (IEC 695-2-1) Self-extinguishing (PC)	960°C	650°C
Non-toxicity	Halogen Free	Halogen Free
UV resistance	UL 508 720 hours in "Weather-ometer"	
Chemical Resistance *	Good	Good

### Confirmity to standards

**USA** Enclosures for Electrical Equipment  
PC: UL Type 1, 4X\* or 12K; UL File E75645 Vol 1 Sec 5;  
UL 746C-5VA flame test (UL 50/508)

\*PC 17/16L, 17/16 and 21/18: -3 and -FC3 -models  
ABS: NEMA 1, 12K

**Canada** Industrial Control Equipment  
Enclosures for Electrical Equipment/ULc

**Europe** Empty enclosures for low-voltage switchgear and controlgear assemblies EN 62208:2003 (50298:1998)

**Europe** Safety of Information Technology Equipment EN 60950

RoHS directive 2002/95/EC

**Russia** GostR - Gost Russian certificate of conformity

Data subject to change without notice.

\*Consult separate raw material data for more detailed information





**FIBOX – Solutions for demanding environments**



## ATEX

EX enclosures are specially made for use in hazardous environments. They are designed, manufactured and tested to international standards. All certificates, such as ATEX, are issued by the manufacturer under license from a test authority. EX enclosures are made of either aluminium, polycarbonate or polyester.



# ATEX approved enclosures



**Hazardous environments**



**Aluminium, Polycarbonate, Polyester**



**RoHS compliant and halogen-free**

Including: Base, cover with gasket, ferritic stainless steel cover screws, with mounting and earth screws and earth terminal.



## Enclosures

Order symbol	Code	Dimensions	Description
ALX 050503	7015020	50 x 45 x 32	Enclosure, aluminium ▪ EEx e II, EN 50014; IK 7J
ALX 060605	7015060	66 x 60 x 46	Enclosure, aluminium ▪ EEx e II, EN 50014; IK 7J
ALX 061005	7015080	100 x 66 x 46	Enclosure, aluminium ▪ EEx e II, EN 50014; IK 7J
ALX 061505	7015100	152 x 66 x 46	Enclosure, aluminium ▪ EEx e II, EN 50014; IK 7J
ALX 080806	7015130	82 x 77 x 57	Enclosure, aluminium ▪ EEx e II, EN 50014; IK 7J
ALX 081306	7015150	127 x 81 x 57	Enclosure, aluminium ▪ EEx e II, EN 50014; IK 7J
ALX 081806	7015170	177 x 81 x 57	Enclosure, aluminium ▪ EEx e II, EN 50014; IK 7J
ALX 082506	7015190	252 x 81 x 57	Enclosure, aluminium ▪ EEx e II, EN 50014; IK 7J
ALX 121208	7015210	125 x 124 x 81	Enclosure, aluminium ▪ EEx e II, EN 50014; IK 7J
ALX 122208	7015230	222 x 125 x 81	Enclosure, aluminium ▪ EEx e II, EN 50014; IK 7J
ALX 123608	7015250	362 x 125 x 81	Enclosure, aluminium ▪ EEx e II, EN 50014; IK 7J
ALX 161609	7015270	163 x 162 x 91	Enclosure, aluminium ▪ EEx e II, EN 50014; IK 7J
ALX 162609	7015290	263 x 162 x 91	Enclosure, aluminium ▪ EEx e II, EN 50014; IK 7J

## Accessories

Order symbol	Code	Dimensions	Description
AM 0808	9823015	69 x 64	Mounting plate
AM 0813	9511043	69 x 114	Mounting plate
AM 0818	9823017	69 x 164	Mounting plate
AM 0825	9511007	69 x 240	Mounting plate
AM 1212	9511150	107 x 110	Mounting plate
AM 1222	9511095	107 x 207	Mounting plate
AM 1236	9511174	107 x 347	Mounting plate
AM 1616	9511149	146 x 146	Mounting plate
AM 1626	9511096	146 x 244	Mounting plate
ARM 0610	9820005	15 x 88	DIN-15 Mounting rail
ARM 0615	9820011	15 x 140	DIN-15 Mounting rail
ARM 0808	9820002	15 x 65	DIN-15 Mounting rail
ARM 0813	9820010	15 x 115	DIN-15 Mounting rail
ARM 0818	9820014	15 x 165	DIN-15 Mounting rail
ARM 0825	9820019	15 x 240	DIN-15 Mounting rail
ARH 12	9822001	35 x 105	DIN-35 Mounting rail
ARH 16	9822003	35 x 140	DIN-35 Mounting rail
ARH 22	9822007	35 x 203	DIN-35 Mounting rail
ARH 26	9822011	35 x 240	DIN-35 Mounting rail
ARH 36	9822015	35 x 343	DIN-35 Mounting rail
MRS 28540	7028540	11 x 42	Wall fastening lug (2 pcs) ▪ incl. screws
MRS 28541	7028541	15 x 50	Wall fastening lug (2 pcs) ▪ incl. screws



# ATEX FEX-PC-7

PC: IP 66, IK 08

Including: Base with screws for mounting plate/DIN-rail, cover with silicone gasket and polyamide cover screws.

## Enclosures

Order symbol	Code	Dimensions	Description
FEX 1919 13 G	4130800	188 x 188 x 130	Enclosure, PC • EEx e II, EN 50014; IK 4J
FEX 1919 18 G	4130810	188 x 188 x 180	Enclosure, PC • EEx e II, EN 50014; IK 4J
FEX 2819 13 G	4130801	278 x 188 x 130	Enclosure, PC • EEx e II, EN 50014; IK 4J
FEX 2819 18 G	4130811	278 x 188 x 180	Enclosure, PC • EEx e II, EN 50014; IK 4J
FEX 2828 13 G	4130803	278 x 278 x 130	Enclosure, PC • EEx e II, EN 50014; IK 4J
FEX 2828 18 G	4130813	278 x 278 x 180	Enclosure, PC • EEx e II, EN 50014; IK 4J
FEX 3819 13 G	4130802	378 x 188 x 130	Enclosure, PC • EEx e II, EN 50014; IK 4J
FEX 3819 18 G	4130812	378 x 188 x 180	Enclosure, PC • EEx e II, EN 50014; IK 4J
FEX 3828 13 G	4130804	378 x 278 x 130	Enclosure, PC • EEx e II, EN 50014; IK 4J
FEX 3828 18 G	4130814	378 x 278 x 180	Enclosure, PC • EEx e II, EN 50014; IK 4J
FEX 5628 13 G	4130806	558 x 278 x 130	Enclosure, PC • EEx e II, EN 50014; IK 4J
FEX 5638 18 G	4130807	558 x 378 x 180	Enclosure, PC • EEx e II, EN 50014; IK 4J
FEX 1919 13 T	4120800	188 x 188 x 130	Enclosure, PC • EEx e II, EN 50014; IK 4J
FEX 1919 18 T	4120810	188 x 188 x 180	Enclosure, PC • EEx e II, EN 50014; IK 4J
FEX 2819 13 T	4120801	278 x 188 x 130	Enclosure, PC • EEx e II, EN 50014; IK 4J
FEX 2819 18 T	4120811	278 x 188 x 180	Enclosure, PC • EEx e II, EN 50014; IK 4J
FEX 2828 13 T	4120803	278 x 278 x 130	Enclosure, PC • EEx e II, EN 50014; IK 4J
FEX 2828 18 T	4120813	278 x 278 x 180	Enclosure, PC • EEx e II, EN 50014; IK 4J
FEX 3819 13 T	4120802	378 x 188 x 130	Enclosure, PC • EEx e II, EN 50014; IK 4J
FEX 3819 18 T	4120812	378 x 188 x 180	Enclosure, PC • EEx e II, EN 50014; IK 4J
FEX 3828 13 T	4120804	378 x 278 x 130	Enclosure, PC • EEx e II, EN 50014; IK 4J
FEX 3828 18 T	4120814	378 x 278 x 180	Enclosure, PC • EEx e II, EN 50014; IK 4J
FEX 5628 13 T	4120806	558 x 278 x 130	Enclosure, PC • EEx e II, EN 50014; IK 4J
FEX 5638 18 T	4120807	558 x 378 x 180	Enclosure, PC • EEx e II, EN 50014; IK 4J

## Accessories

Order symbol	Code	Dimensions	Description
EKHVT	3770548	148 x 148	Mounting plate
EKJVT	3770549	238 x 148	Mounting plate
EKMVT	3770550	338 x 148	Mounting plate
EKOVT	3770551	238 x 238	Mounting plate
EKPVT	3770552	338 x 238	Mounting plate
EKTVT	3770553	518 x 238	Mounting plate
EKUVT	3770554	518 x 338	Mounting plate
EKV 12	3770647	35 x 160	DIN-35 Mounting rail
EKV 22	3770648	35 x 235	DIN-35 Mounting rail
EKV 32	3770649	35 x 335	DIN-35 Mounting rail

# ATEX PEX

P: IP 66/IP 67, IK 08

Including: Base, cover with EPDM gasket and stainless steel cover screws.



## Enclosures

Order symbol	Code	Dimensions	Description
PEX 080806	7194140	80 x 75 x 55	Enclosure, polyester ▪ EEx e II, EN 50014; IK 7J
PEX 081106	7194150	110 x 75 x 55	Enclosure, polyester ▪ EEx e II, EN 50014; IK 7J
PEX 081606	7194170	160 x 75 x 55	Enclosure, polyester ▪ EEx e II, EN 50014; IK 7J
PEX 081906	7194190	190 x 75 x 55	Enclosure, polyester ▪ EEx e II, EN 50014; IK 7J
PEX 121209	7194220	122 x 120 x 90	Enclosure, polyester ▪ EEx e II, EN 50014; IK 7J
PEX 122209	7194240	220 x 120 x 90	Enclosure, polyester ▪ EEx e II, EN 50014; IK 7J
PEX 161609	7194280	160 x 160 x 91	Enclosure, polyester ▪ EEx e II, EN 50014; IK 7J
PEX 162609	7194300	260 x 160 x 92	Enclosure, polyester ▪ EEx e II, EN 50014; IK 7J
PEX 163609	7194320	361 x 160 x 91	Enclosure, polyester ▪ EEx e II, EN 50014; IK 7J
PEX 252612	7194370	256 x 251 x 121	Enclosure, polyester ▪ EEx e II, EN 50014; IK 7J
PEX 254012	7194400	402 x 250 x 120	Enclosure, polyester ▪ EEx e II, EN 50014; IK 7J
PEX 404012	7194450	406 x 401 x 120	Enclosure, polyester ▪ EEx e II, EN 50014; IK 7J

## Accessories

Order symbol	Code	Dimensions	Description
PM 0808	9823000	64 x 69	Mounting plate
PM 0811	9823001	64 x 99	Mounting plate
PM 0816	9823002	64 x 149	Mounting plate
PM 0819	9823003	64 x 179	Mounting plate
AM 1212	9511150	107 x 110	Mounting plate
AM 1222	9511095	107 x 207	Mounting plate
PM 1616	9823006	146 x 146	Mounting plate
PM 1626	9823007	146 x 244	Mounting plate
AM 1636	9511175	146 x 346	Mounting plate
PM 2526	9823009	231 x 240	Mounting plate
PM 2540	9823010	231 x 383	Mounting plate
PM 4040	9823011	390 x 385	Mounting plate
TRM 0808	9820004	15 x 68	DIN-15 Mounting rail
PRM 0811	9820006	15 x 99	DIN-15 Mounting rail
ARM 0615	9820011	15 x 140	DIN-15 Mounting rail
PRM 0816	9820012	15 x 149	DIN-15 Mounting rail
PRM 0819	9820015	15 x 179	DIN-15 Mounting rail
ARH 12	9822001	35 x 105	DIN-35 Mounting rail
ARH 16	9822003	35 x 140	DIN-35 Mounting rail
ARH 22	9822007	35 x 203	DIN-35 Mounting rail
PRH 2526	9821007	35 x 238	DIN-35 Mounting rail
ARH 26	9822011	35 x 240	DIN-35 Mounting rail
ARH 36	9822015	35 x 343	DIN-35 Mounting rail
ARH 40	9822017	35 x 383	DIN-35 Mounting rail
PH A & AH A/B	9801047		Hinge set
MRS 28540	7028540	11 x 42	Wall fastening lug (2 pcs) ▪ incl. screws
MRS 28541	7028541	15 x 50	Wall fastening lug (2 pcs) ▪ incl. screws

## ACCESSORIES

Order symbol      Code      Description

### Standard connecting threads, RAL 9005 Black, EEx e II, Temperature range -30°...+70°C

GPA Ex M12	7016436	Polyamide cable gland, M12x1,5 • for cable 3-6 mm
GPA Ex M16	7016437	Polyamide cable gland, M16x1,5 • for cable 5-10 mm
GPA Ex M20	7016438	Polyamide cable gland, M20x1,5 • for cable 8-13 mm
GPA Ex M25	7016439	Polyamide cable gland, M25x1,5 • for cable 11-17 mm
GPA Ex M32	7016440	Polyamide cable gland, M32x1,5 • for cable 15-21 mm
GPA Ex M40	7016441	Polyamide cable gland, M40x1,5 • for cable 19-28 mm
GPA Ex M50	7016442	Polyamide cable gland, M50x1,5 • for cable 27-35 mm
GPA Ex M63	7016443	Polyamide cable gland, M63x1,5 • for cable 32-42 mm

### Standard connecting threads, EEx e II, Temperature range -20°...+80°C

GMS EXMC M12	7016464	Brass cable gland, M12x1,5 • for cable 3-6 mm
GMS EXMC M16	7016465	Brass cable gland, M16x1,5 • for cable 5-10 mm
GMS EXMC M20	7016466	Brass cable gland, M20x1,5 • for cable 8-13 mm
GMS EXMC M25	7016467	Brass cable gland, M25x1,5 • for cable 11-17 mm
GMS EXMC M32	7016468	Brass cable gland, M32x1,5 • for cable 15-21 mm
GMS EXMC M40	7016469	Brass cable gland, M40x1,5 • for cable 19-28 mm
GMS EXMC M50	7016470	Brass cable gland, M50x1,5 • for cable 27-35 mm
GMS EXMC M63	7016471	Brass cable gland, M63x1,5 • for cable 32-42 mm



## ALX technical information

Property	AISI CAST Aluminium
Ingress Protection (EN 60529)	IP 66
Impact Resistance (EN 62262)	IK 08
Impact Resistance(EN 60079-0)	7J
ALX 050503 to ALX 082506	
Temperature Range Celsius (short term)	-50° . . 80°C
Temperature Range Celsius (continuous)	-60° . . 175°F
Temperature Range Celsius (short term)	-10° . . 80°C
Temperature Range Celsius (continuous)	14° . . 175°F
Gasket	Silicone
ALX 121208 to ALX 162609	
Temperature Range Celsius (short term)	-55° . . 80°C
Temperature Range Celsius (continuous)	-67° . . 175°F
Temperature Range Celsius (short term)	-55° . . 80°C
Temperature Range Celsius (continuous)	-67° . . 175°F
Gasket	PUR
Polyester Powder Paint Colour	RAL 7001 Grey
Cover Screws	Ferritic Stainless Steel
Chemical Resistance *	Good

### Confirmity to standards

**USA** Enclosures for Electrical Equipment  
NEMA 1, 4, 4X, 6 12 or 13

**Europe** Electrical apparatus for potentially explosive atmospheres  
EN 50014: 1997 + A1.....A5, General requirements  
EN 50019: 1997 + A1.....A5, Increased safety "e"  
ATEX  
VTT 06 ATEX 029U (II 2 GD, EEx e II)  
VTT 06 ATEX 029U (EEx tD A21 IP66)  
EN 60079-0 (2004) Electrical apparatus for explosive gas atmospheres  
EN 60079-7 (2003) Electrical apparatus for explosive gas atmospheres. Increased safety "e"  
EN 61241-0 (2004) Electrical apparatus for use in the presence of combustible dust  
EN 61241-1 (2004) Electrical apparatus for use in the presence of combustible dust Part 1: Protection by enclosures "tD"  
RoHS directive 2002/95/EC

Data subject to change without notice.

\*Consult separate raw material data for more detailed information

## FEX-PC-7 technical information

Property	Polycarbonate (PC)
Ingress Protection (EN 60529)	IP 66
Impact Resistance (EN 62262)	IK 08 (side surface) IK 09 (front surface)
Impact Resistance (EN EN 60079-0)	4J
Temperature Range Celsius (short term) Fahrenheit	-40° . .80°C -40° . .175°F
Temperature Range Celsius (continuous) Fahrenheit	-10° . .80°C 14° . .175°F
Electrical Insulation	Totally insulated ☐
Light Grey Parts Colour	RAL 7035 Industry Grey
Transparent Clear PC Cover	Clear Transparent
Cover Screws	RAL 7035
Cover Screws	Polyamide (PA)
Gasket	Silicone
Enclosure Flammability Rating	UL94-5V
Glow Wire Test (IEC 695-2-1) Self -extinguishing (PC)	960°C
Non-toxicity	Halogen Free
UV resistance	UL 508 720 hours in "Weatherometer"
Chemical Resistance *	Good

Data subject to change without notice.

\*Consult separate raw material data for more detailed information

### Conformity to standards

**USA** Enclosures for Electrical Equipment  
NEMA Type 1, 4, 4X, 6, 12 or 13; UL 746C-5VA flame test (UL 50/508)

**Europe** Electrical apparatus for potentially explosive atmospheres  
EN 50014: 1977 + A1....A5, General requirements  
EN 50019: 1997 + A1....A5, Increased safety "e"  
ATEX  
VTT 06 ATEX 030U (II 2 GD, EEx e II)  
VTT 06 ATEX 030U (EEx tD A21 IP66)  
EN 60079-0 (2004) Electrical apparatus for explosive gas atmospheres  
EN 60079-7 (2003) Electrical apparatus for explosive gas atmospheres. Increased safety "e"  
EN 61241-0 (2004) Electrical apparatus for use in the presence of combustible dust  
EN 61241-1 (2004) Electrical apparatus for use in the presence of combustible dust Part 1: Protection by enclosures "tD"  
RoHS directive 2002/95/EC

**Russia** GostR - Gost Russian certificate of conformity

## PEX technical information

Property	Polyester (GRP)
Ingress Protection (EN 60529)	IP 66/67
Impact Resistance (EN 62262)	IK 08
Impact Resistance (EN 50014)	7J
Temperature Range Celsius (short term) Fahrenheit	-40° . .80°C -40° . .175°F
Temperature Range Celsius (continuous) Fahrenheit	-10° . .80°C 14° . .175°F
Electrical Insulation	Totally insulated ☐
Colour	RAL 7001
Enclosure Flammability Rating	UL94-5V
Glow Wire Test (IEC 695-2-1) Self -extinguishing (PC)	960°C
Cover screws	Stainless Steel
Gasket	EPDM
Non-toxicity	Halogen Free
Chemical Resistance *	Good

Data subject to change without notice.

\*Consult separate raw material data for more detailed information

### Conformity to standards

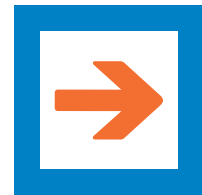
**USA** Enclosures for Electrical Equipment  
NEMA 1, 4, 4X, 6 12 or 13

**Europe** Electrical apparatus for potentially explosive atmospheres  
ATEX  
EN 50014: 1997 + A1 +A2, General requirements  
EN 50019: 1994 Increased safety "e"  
PTB 01 ATEX 1014 U (II 2 G EEx e II)  
RoHS directive 2002/95/EC

FIBOX accessory range provides excellent selection of cable glands, membrane glands, flanges and cable entry solutions to easily manage cables with high IP rating.



# Cable management



Plastic and membrane gland plates



Plastic and membrane glands



RoHS compliant and halogen-free



## COVER PLATES

Order symbol	Code	Dimensions	Description
--------------	------	------------	-------------

Polycarbonate (PC), IP 66 (EN 60529), Grey RAL 7035, Flame resistance UL 94-V1

MB 10215	3530215	140 x 49 x 10	Cover plate ▪ size 1
MB 10546	3530546	216 x 85 x 10	Cover plate ▪ size 2
MB 10324	3530324	332 x 127 x 15	Cover plate ▪ size 3



## METRIC FLANGE PLATES

Order symbol	Code	Dimensions	Description
--------------	------	------------	-------------

Cable gland plates, Polycarbonate (PC), IP 65 (EN 60529), Grey RAL 7035, Flame resistance UL 94-V1

MB 10892	3530892	140 x 49 x 10	Size 1 ▪ 4xM20
MB 10892 SET	3590892		Size 1 ▪ incl. flange, gasket and connector set
MB 10891	3530891	216 x 85 x 10	Size 2 ▪ 12xM20
MB 10860	3530860	216 x 85 x 10	Size 2 ▪ 5xM25+6xM20 PUR gasket
MB 10861	3530861	216 x 85 x 10	Size 2 ▪ 2xM50+4xM20, PUR gasket
MB 10862	3530862	216 x 85 x 10	Size 2 ▪ 2xM16+3xM20+2xM25+2xM32, PUR gasket
MB 10891 SET	3590891		Size 2 ▪ incl. flange, gasket and connector set
MB 10860 SET	3590860		Size 2 ▪ incl. flange, gasket and connector set
MB 10861 SET	3590861		Size 2 ▪ incl. flange, gasket and connector set
MB 10862 SET	3590862		Size 2 ▪ incl. flange, gasket and connector set



Knock-out plates, Polycarbonate (PC), IP 65 (EN 60529), Grey RAL 7035, Flame resistance UL 94-V1

MB 10857	3530857	216 x 85 x 10	Size 2 ▪ 4xM12+4xM12/M20+4xM16/M25
MB 10889	3530889	216 x 85 x 10	Size 2 ▪ 8xM20+5xM25/M16
MB 10890	3530890	216 x 85 x 10	Size 2 ▪ 2xM32/M20+2xM40/M25
MB 10857 SET	3590857		Size 2 ▪ incl. flange, gasket and connector set
MB 10889 SET	3590889		Size 2 ▪ incl. flange, gasket and connector set
MB 10890 SET	3590890		Size 2 ▪ incl. flange, gasket and connector set



## PG FLANGE PLATES

Order symbol	Code	Dimensions	Description
--------------	------	------------	-------------

Cable gland plates, Polycarbonate (PC), IP 66 (EN 60529), Grey RAL 7035, Flame resistance UL 94-V1

MB 10151	3530151	140 x 49 x 10	Size 1 ▪ 4x PG13.5
MB 10149	3530149	140 x 49 x 10	Size 1 ▪ 4x PG16
MB 10214	3530214	140 x 49 x 10	Size 1 ▪ 3x PG21
MB 10537	3530537	140 x 49 x 10	Size 1 ▪ 1xPG29
MB 10014	3530014	216 x 85 x 10	Size 2 ▪ 12x PG16
MB 10015	3530015	216 x 85 x 10	Size 2 ▪ 12x PG13.5
MB 10016	3530016	216 x 85 x 10	Size 2 ▪ 6x PG16+4x PG21
MB 10017	3530017	216 x 85 x 10	Size 2 ▪ 4x PG16+3x PG29
MB 10019	3530019	216 x 85 x 10	Size 2 ▪ 4x PG16+2x PG36

Knock-out plates, Polycarbonate (PC), IP 66 (EN 60529), Grey RAL 7035, Flame resistance UL 94-V1

MB 10593	3530593	216 x 85 x 10	Size 2 ▪ 9x PG11+5x PG9/16
MB 10594	3530594	216 x 85 x 10	Size 2 ▪ 4x PG21/29
MB 10595	3530595	216 x 85 x 10	Size 2 ▪ 13x PG16
MB 10596	3530596	216 x 85 x 10	Size 2 ▪ 4x PG11/21+7x PG16

## MEMBRANE FLANGE PLATES

Order symbol	Code	Description
--------------	------	-------------

TPE (Thermo Plastic Elastomer), IP 65 (EN 60529), Flame resistance UL 94HB, Grey RAL 7035, Temperature range -40°...+120°C

FMB 5F	3550794	Size 1, Lead-through 8 (Ø2.5-25mm) ▪ Optional RJ-45 lead-through
FMC 3F	3550795	Size 2, Lead-through 7 (Ø3-55mm)
FMC 25F	3550796	Size 2, Lead-through 29 (Ø3-26mm) ▪ Optional RJ-45 lead-through
FMC 35F	3550797	Size 2, Lead-through 43 (Ø3-30mm) ▪ Optional RJ-45 lead-through

Set includes: Flange and MB 10670/10671 plate connectors with screws

FMB 5F-SET	3590794	Flange set, Size 1
FMC 3F-SET	3590795	Flange set, Size 2
FMC 25F-SET	3590796	Flange set, Size 2
FMC 35F-SET	3590797	Flange set, Size 2



## PLATE CONNECTORS AND GASKETS

Order symbol	Code	Dimensions	Description
<b>Plate connector sets</b>			
MB 10671	3570671		Connector set, size 1 • incl. 4 screws
MB 10670	3570670		Connector set, size 2 • incl. 4 screws
MB 10672	3570672		Connector set, size 3 • incl. 4 screws
EKZA 7	3770472		Plastic screw, lock nut, flange gasket • size 1
EKZA 8	3770474		Plastic screw, lock nut, flange gasket • size 2
EKZA 9	3770347		Plastic screw, lock nut, flange gasket • size 3
<b>Gaskets (EPDM Rubber)</b>			
MK 10437	3510437		Flange gasket • size 1
MK 10438	3510438		Flange gasket • size 2
MK 10439	3510439		Flange gasket • size 3
MK 10440	3510440		Flange gasket, size 1 • for smooth side
MK 10441	3510441		Flange gasket, size 2 • for smooth side
<b>Plastic head screws</b>			
MB 10345	3570345		Plastic head screw (M6x25) • for size 1 flange
MB 10346	3570346		Plastic head screw (M8x25) • for size 2 flange
MB 10347	3570347		Plastic head screw (M10x30) • for size 3 flange
<b>Lock nuts</b>			
M-6	3570576		Lock nut for plastic head screws • (Size M6)
M-8	3570577		Lock nut for plastic head screws • (Size M8)
M-10	3570578		Lock nut for plastic head screws • (Size M10)
<b>Plate extension</b>			
MB 10391	3530391		Extension flange (height 25 mm) • Mounting with 4x MB 10392
MB 10392	3570392		Plastic head screw, size M8x50



## CABLE ENTRIES AND BOXES

Order symbol	Code	Dimensions	Description
<b>Cable entries</b>			
EPA 1130	3550385		Cable entry, size 1 • 1 cable, 1x10-31mm
EPA 1230	3550386		Cable entry, size 1 • 2 cable, 2x10-31mm
EPA 2160	3550387		Cable entry, size 2 • 1 cable, 1x28-60mm
EPA 2260	3550388		Cable entry, size 2 • 2 cables, 2x28-60mm
EPA 1130 SET	3550055		Cable entry set • Includes: Cable entry, rubber cushion, mounting screws and lock nuts
EPA 1230 SET	3550049		Cable entry set • Includes: Cable entry, 2 rubber cushions, mounting screws and lock nuts
EPA 2160 SET	3550056		Cable entry set • Includes: Cable entry, rubber cushion, mounting screws and lock nuts
EPA 2260 SET	3550052		Cable entry set • Includes: Cable entry, 2 rubber cushions, mounting screws and lock nuts
HIBOX 16	4712221		Cable entry • with cable gasket
DSHIBOX 26	4712223		Cable entry • with two cable gasket
<b>Cable entry boxes</b>			
MB 2260	3730260		Including: base, cover, cover screws, 1 blind plug, 1 pull-off • hose clamp with screws, membrane cable gland, and plate connector set.
MB 2260A	3730261		Cable entry accessory set • Including: membrane cable gland, pull-off, and hose clamp with screws.
EPA-OE	3530700	280 x 280 x 100	Cable entry box
EPA-PL	3530702	380 x 280 x 150	Cable entry box
<b>Other Accessories</b>			
MK 10426	3510426		Rubber cushion for cable Ø 10-31 mm, size 1 • for cable entry
MK 10428	3510428		Rubber cushion for cable Ø 28-60 mm, size 2 • for cable entry
MK 10704	3510704		Membrane cable gland
MB 10717	3530717		Connection bridge and gasket • size 2
MB 10718	3530718		Connection bridge and gasket • size 3
MK 12198	4512198		Cable entry gasket
MR 12198	3512198		Hose clamp



## POLYAMIDE CABLE GLANDS

Order symbol      Code      Description

### Standard connecting threads, Grey RAL 7035, Temperature range -20°...+100°C

GPA M12	7016400	Cable gland (IP 68 - 5 bar), M12x1,5 ▪ for cable 3-6 mm
GPA M16	7016401	Cable gland (IP 68 - 5 bar), M16x1,5 ▪ for cable 5-10 mm
GPA M20	7016402	Cable gland (IP 68 - 5 bar), M20x1,5 ▪ for cable 8-13 mm
GPA M25	7016403	Cable gland (IP 68 - 5 bar), M25x1,5 ▪ for cable 11-17 mm
GPA M32	7016404	Cable gland (IP 68 - 5 bar), M32x1,5 ▪ for cable 15-21 mm
GPA M40	7016405	Cable gland (IP 68 - 5 bar), M40x1,5 ▪ for cable 19-28 mm
GPA M50	7016406	Cable gland (IP 68 - 5 bar), M50x1,5 ▪ for cable 27-35 mm
GPA M63	7016407	Cable gland (IP 68 - 5 bar), M63x1,5 ▪ for cable 32-42 mm

### Long connecting threads, Grey RAL 7035, Temperature range -20°...+100°C

GPA M12-L	7016533	Cable gland (IP 68 - 5 bar), M12x1,5 ▪ for cable 3-6 mm
GPA M16-L	7016534	Cable gland (IP 68 - 5 bar), M16x1,5 ▪ for cable 5-10 mm
GPA M20-L	7016535	Cable gland (IP 68 - 5 bar), M20x1,5 ▪ for cable 8-13 mm
GPA M25-L	7016536	Cable gland (IP 68 - 5 bar), M25x1,5 ▪ for cable 11-17 mm
GPA M32-L	7016537	Cable gland (IP 68 - 5 bar), M32x1,5 ▪ for cable 15-21 mm
GPA M40-L	7016538	Cable gland (IP 68 - 5 bar), M40x1,5 ▪ for cable 19-28 mm
GPA M50-L	7016539	Cable gland (IP 68 - 5 bar), M50x1,5 ▪ for cable 27-35 mm
GPA M63-L	7016540	Cable gland (IP 68 - 5 bar), M63x1,5 ▪ for cable 32-42 mm

### Lock nuts for cable glands, Grey RAL 7035

GPA M12-B	7016408	Hexagonal lock nut ▪ M12x1,5
GPA M16-B	7016409	Hexagonal lock nut ▪ M16x1,5
GPA M20-B	7016410	Hexagonal lock nut ▪ M20x1,5
GPA M25-B	7016411	Hexagonal lock nut ▪ M25x1,5
GPA M32-B	7016412	Hexagonal lock nut ▪ M32x1,5
GPA M40-B	7016413	Hexagonal lock nut ▪ M40x1,5
GPA M50-B	7016414	Hexagonal lock nut ▪ M50x1,5
GPA M63-B	7016415	Hexagonal lock nut ▪ M63x1,5



## MEMBRANE CABLE GLANDS

Order symbol      Code      Description

### EPDM Rubber, RAL 7035 Grey, IP 66/IP 67 (EN 60529:1991+ A1:2000), Flame resistance UL 94-V2, Wall thickness (C) 1,5 -5 mm, Temperature range -40°...+120°C

FEM 3-5	3545078	EPDM Cable gland M12 ▪ for cable 3-5 mm
FEM 5-7	3545079	EPDM Cable gland M16 ▪ for cable 5-7 mm
FEM 7-10	3545080	EPDM Cable gland M20 ▪ for cable 7-10 mm
FEM 10-14/23	3545081	EPDM Cable gland M23/PG16 ▪ for cable 10-14 mm
FEM 10-14/25	3545082	EPDM Cable gland M25 ▪ for cable 10-14 mm
FEM 14-20	3545083	EPDM Cable gland M32 ▪ for cable 14-20 mm
FEM 20-26	3545084	EPDM Cable gland M40 ▪ for cable 20-26 mm
FEM 26-35	3545085	EPDM Cable gland M50 ▪ for cable 26-35 mm
FEM 30-45	3545086	EPDM Cable gland M60 ▪ for cable 30-45 mm
MFM 8-12	3546151	EPDM Multi-Fem M50 ▪ for cable 3x6-10 mm, 3x10-14 mm



Accessories expand scope of use for enclosures by adding new features. Fibox accessory range covers variety of inspection windows and ventilation and pressure equalizer devices.



# General accessories



Inspection windows



Ventilation devices



RoHS compliant and halogen-free

# INSPECTION WINDOWS

Order symbol	Code	Dimensions	Description
--------------	------	------------	-------------

**Polycarbonate (PC), IP 54**

L 02	3730660	60 x 77	Window for 2 modules ▪ Clear cover
L 04	3730661	96 x 77	Window for 4 modules ▪ Clear cover
L 06	3730662	130 x 77	Window for 6 modules ▪ Clear cover
L 08	3730663	162 x 77	Window for 8 modules ▪ Clear cover
L 10	3730664	199 x 77	Window for 10 modules ▪ Clear cover

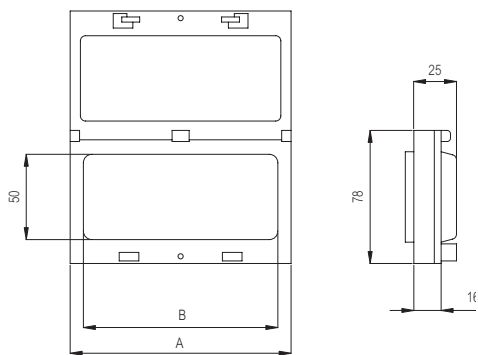
**Polycarbonate (PC), IP 65**

L 12	3730589	248 x 128	Window for 12 modules ▪ Low clear cover
L 12 II	3730775	248 x 128	Window for 12 modules ▪ Smoked transparent cover
L 13	3730692	257 x 108	Window for 13 modules ▪ Clear cover
L 24	3730588	248 x 218	Window for 24 modules ▪ Low clear cover
L 24 II	3730776	248 x 218	Window for 24 modules ▪ Smoked transparent cover
L 43 II	4512298	331 x 277	Window for 26 modules ▪ Smoked transparent cover
L 44 II	4512299	377 x 331	Window for 36 modules ▪ Smoked transparent cover

**Front plates for windows L 12, L 12 II, L 24 and L 24 II**

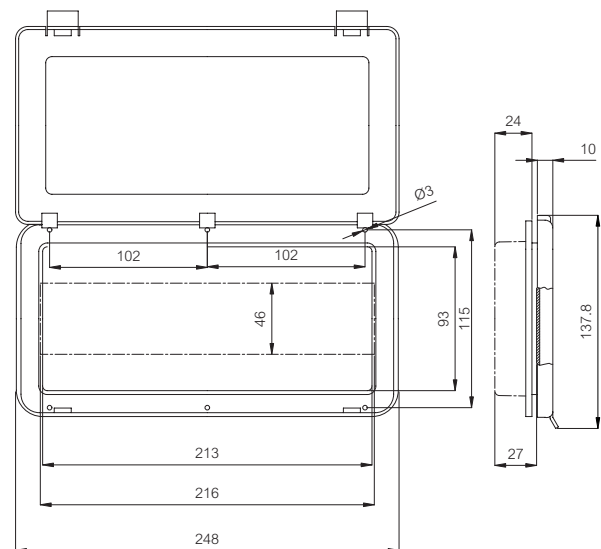
B12 10621-45	3730621	Front plate for window 12 modules
B24 10620-45	3730620	Front plate for window 2x12 modules

## L 02 – L 10

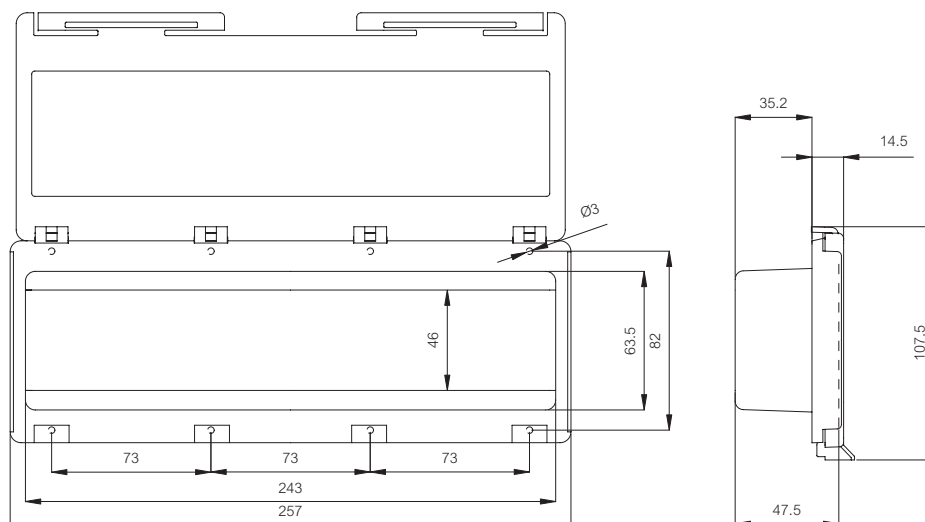


TYPE	A	B
L02	59	44
L04	94.5	78
L06	129.5	114
L08	163	146
L10	200	183

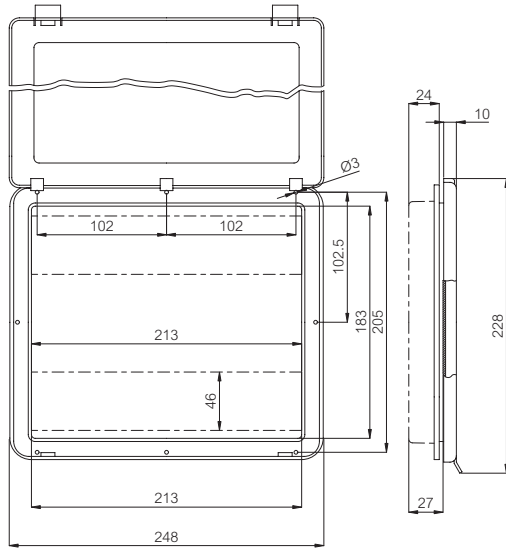
## L 12



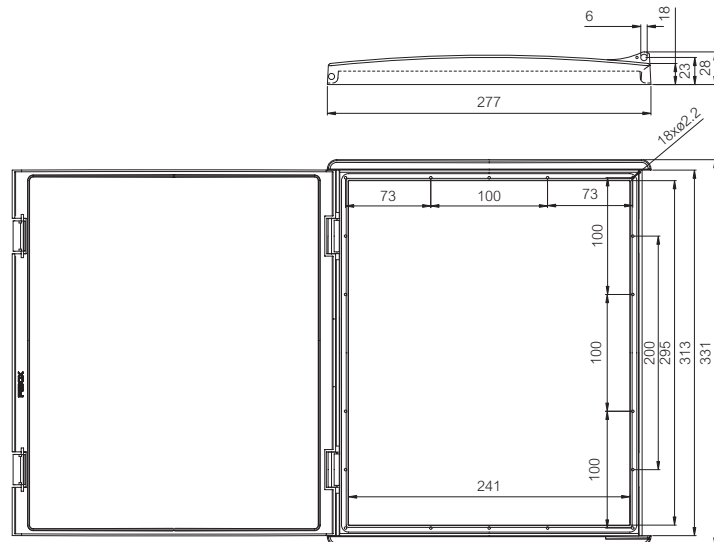
## L 13



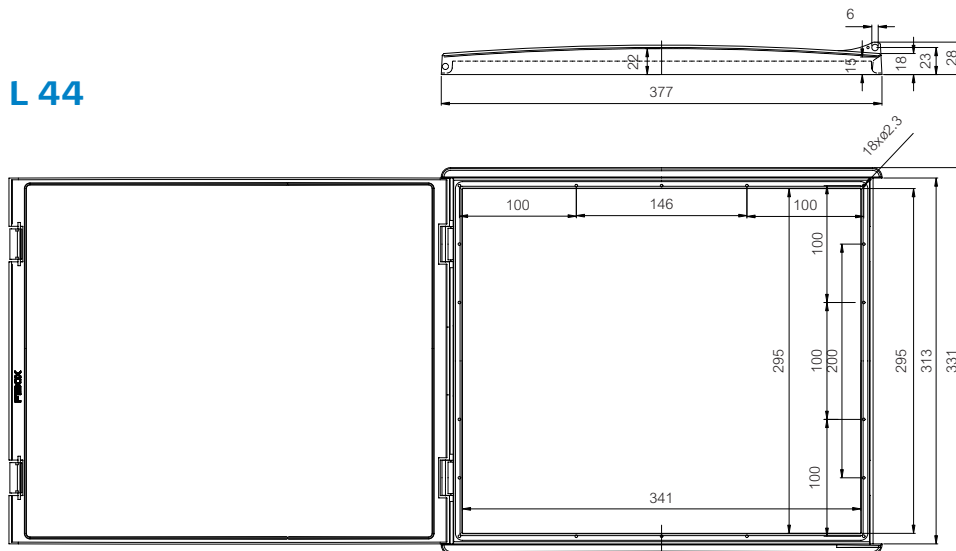
## L 24



## L 43



## L 44



## VENTILATION DEVICES

Order symbol	Code	Dimensions	Description
MB 10564 II	3541564		Ventilation device IP 44 • Gasketed, incl. screws
MB 10858 II	3540858		Grille/filter holder • for MB 10564 II
MB 10859 II	3540859		Holder for fan • incl. screws
MB 10894	3540894		Pressure equalizer plug, IP 68 • light grey, thread M12 x 1,5
MB 10631	3540631		Ventilation device IP 33
MB 12189	4512189		Draining plug IP 34



## Enclosure index

Dimensions	Order symbol	Product family	Page	Dimensions	Order symbol	Product family	Page
50 x 45 x 32	AL 050503	EURONORD	80	110 x 80 x 85	ABS B 85 T	PICCOLO	52
50 x 45 x 32	ALX 050503	ATEX	202	110 x 75 x 55	P 081106	EURONORD	105
52 x 50 x 40	AB 050504	EURONORD	60	110 x 80 x 65	PC B 65 G	PICCOLO	52
52 x 50 x 40	PC 050504	EURONORD	60	110 x 80 x 65	PC B 65 T	PICCOLO	52
65 x 50 x 45	AB 050705	EURONORD	61	110 x 80 x 85	PC B 85 G	PICCOLO	52
65 x 50 x 45	PC 050705	EURONORD	61	110 x 80 x 85	PC B 85 T	PICCOLO	52
65 x 50 x 45	PCT 050705	EURONORD	61	110 x 75 x 55	PEX 081106	ATEX	204
66 x 60 x 46	AL 060605	EURONORD	81	120 x 80 x 55	AB 081206	EURONORD	64
66 x 60 x 46	ALX 060605	ATEX	202	120 x 80 x 60	AB 081206H	EURONORD	64
80 x 75 x 55	P 080806	EURONORD	104	120 x 80 x 85	AB 081209	EURONORD	64
80 x 75 x 55	PEX 080806	ATEX	204	120 x 80 x 90	AB 081209H	EURONORD	64
82 x 80 x 55	AB 080806	EURONORD	63	120 x 80 x 55	PC 081206	EURONORD	64
82 x 80 x 65	AB 080807	EURONORD	63	120 x 80 x 60	PC 081206H	EURONORD	64
82 x 80 x 85	AB 080809	EURONORD	63	120 x 80 x 85	PC 081209	EURONORD	64
82 x 80 x 95	AB 080810	EURONORD	63	120 x 80 x 90	PC 081209H	EURONORD	64
82 x 77 x 57	AL 080806	EURONORD	84	120 x 80 x 55	PCT 081206	EURONORD	64
82 x 77 x 57	ALX 080806	ATEX	202	120 x 80 x 60	PCT 081206H	EURONORD	64
82 x 80 x 55	PC 080806	EURONORD	63	120 x 80 x 85	PCT 081209	EURONORD	64
82 x 80 x 65	PC 080807	EURONORD	63	120 x 80 x 90	PCT 081209H	EURONORD	64
82 x 80 x 85	PC 080809	EURONORD	63	122 x 120 x 65	AB 121207	EURONORD	66
82 x 80 x 95	PC 080810	EURONORD	63	122 x 120 x 75	AB 121208	EURONORD	66
82 x 80 x 55	PCT 080806	EURONORD	63	122 x 120 x 95	AB 121210	EURONORD	66
82 x 80 x 65	PCT 080807	EURONORD	63	122 x 120 x 105	AB 121211	EURONORD	66
82 x 80 x 85	PCT 080809	EURONORD	63	122 x 120 x 90	P 121209	EURONORD	108
82 x 80 x 95	PCT 080810	EURONORD	63	122 x 120 x 65	PC 121207	EURONORD	66
98 x 66 x 41	AB 071004	EURONORD	62	122 x 120 x 75	PC 121208	EURONORD	66
98 x 66 x 41	ABQ 071004	EURONORD	62	122 x 120 x 95	PC 121210	EURONORD	66
98 x 66 x 41	PC 071004	EURONORD	62	122 x 120 x 105	PC 121211	EURONORD	66
98 x 66 x 41	PCQ 071004	EURONORD	62	122 x 120 x 65	PCT 121207	EURONORD	66
98 x 66 x 41	PCT 071004	EURONORD	62	122 x 120 x 75	PCT 121208	EURONORD	66
98 x 66 x 41	PCTQ 071004	EURONORD	62	122 x 120 x 95	PCT 121210	EURONORD	66
100 x 100 x 35	ABS 95/35 LG	MNX	15	122 x 120 x 105	PCT 121211	EURONORD	66
100 x 100 x 35	ABS 95/35 LT	MNX	15	122 x 120 x 90	PEX 121209	ATEX	204
100 x 100 x 50	ABS 95/50 LG	MNX	15	125 x 124 x 81	AL 121208	EURONORD	88
100 x 100 x 50	ABS 95/50 LT	MNX	15	125 x 124 x 81	ALX 121208	ATEX	202
100 x 100 x 60	ABS 95/60 HG	MNX	16	127 x 81 x 57	AL 081306	EURONORD	85
100 x 100 x 60	ABS 95/60 HT	MNX	16	127 x 81 x 57	ALC 081306	EURONORD	85
100 x 100 x 75	ABS 95/75 HG	MNX	16	127 x 81 x 57	ALX 081306	ATEX	202
100 x 100 x 75	ABS 95/75 HT	MNX	16	130 x 80 x 100	ABS 100/100 HG	MNX	18
100 x 66 x 46	AL 061005	EURONORD	82	130 x 80 x 100	ABS 100/100 HT	MNX	18
100 x 66 x 46	ALX 061005	ATEX	202	130 x 80 x 100	ABS 100/100 LG	MNX	17
100 x 100 x 35	PC 95/35 LG	MNX	15	130 x 80 x 100	ABS 100/100 LT	MNX	17
100 x 100 x 35	PC 95/35 LT	MNX	15	130 x 80 x 125	ABS 100/125 HG	MNX	18
100 x 100 x 50	PC 95/50 LG	MNX	15	130 x 80 x 125	ABS 100/125 HT	MNX	18
100 x 100 x 50	PC 95/50 LT	MNX	15	130 x 80 x 35	ABS 100/35 LG	MNX	17
100 x 100 x 60	PC 95/60 HG	MNX	16	130 x 80 x 35	ABS 100/35 LT	MNX	17
100 x 100 x 60	PC 95/60 HT	MNX	16	130 x 80 x 50	ABS 100/50 LG	MNX	17
100 x 100 x 75	PC 95/75 HG	MNX	16	130 x 80 x 50	ABS 100/50 LT	MNX	17
100 x 100 x 75	PC 95/75 HT	MNX	16	130 x 80 x 60	ABS 100/60 HG	MNX	18
100 x 100 x 60	PCM 95/60 G	MNX	28	130 x 80 x 60	ABS 100/60 HT	MNX	18
100 x 100 x 60	PCM 95/60 T	MNX	28	130 x 80 x 75	ABS 100/75 HG	MNX	18
100 x 100 x 75	PCM 95/75 G	MNX	28	130 x 80 x 75	ABS 100/75 HT	MNX	18
100 x 100 x 75	PCM 95/75 T	MNX	28	130 x 80 x 75	ABS 100/75 LG	MNX	17
110 x 80 x 65	ABS B 65 G	PICCOLO	52	130 x 80 x 75	ABS 100/75 LT	MNX	17
110 x 80 x 65	ABS B 65 T	PICCOLO	52	130 x 130 x 100	ABS 125/100 HG	MNX	20
110 x 80 x 85	ABS B 85 G	PICCOLO	52	130 x 130 x 100	ABS 125/100 HT	MNX	20

## Enclosure index

Dimensions	Order symbol	Product family	Page	Dimensions	Order symbol	Product family	Page
130 x 130 x 100	ABS 125/100 LG	MNX	19	130 x 130 x 125	PCM 125/125 G	MNX	30
130 x 130 x 100	ABS 125/100 LT	MNX	19	130 x 130 x 125	PCM 125/125 T	MNX	30
130 x 130 x 125	ABS 125/125 HG	MNX	20	130 x 130 x 60	PCM 125/60 G	MNX	30
130 x 130 x 125	ABS 125/125 HT	MNX	20	130 x 130 x 60	PCM 125/60 T	MNX	30
130 x 130 x 35	ABS 125/35 LG	MNX	19	130 x 130 x 75	PCM 125/75 G	MNX	30
130 x 130 x 35	ABS 125/35 LT	MNX	19	130 x 130 x 75	PCM 125/75 T	MNX	30
130 x 130 x 50	ABS 125/50 LG	MNX	19	140 x 80 x 65	ABS C 65 G	PICCOLO	53
130 x 130 x 50	ABS 125/50 LT	MNX	19	140 x 80 x 65	ABS C 65 T	PICCOLO	53
130 x 130 x 60	ABS 125/60 HG	MNX	20	140 x 80 x 85	ABS C 85 G	PICCOLO	53
130 x 130 x 60	ABS 125/60 HT	MNX	20	140 x 80 x 85	ABS C 85 T	PICCOLO	53
130 x 130 x 75	ABS 125/75 HG	MNX	20	140 x 80 x 65	PC C 65 G	PICCOLO	53
130 x 130 x 75	ABS 125/75 HT	MNX	20	140 x 80 x 65	PC C 65 T	PICCOLO	53
130 x 130 x 75	ABS 125/75 LG	MNX	19	140 x 80 x 85	PC C 85 G	PICCOLO	53
130 x 130 x 75	ABS 125/75 LT	MNX	19	140 x 80 x 85	PC C 85 T	PICCOLO	53
130 x 80 x 100	PC 100/100 HG	MNX	18	150 x 150 x 110	CAB ABS 151511 G	CAB	152
130 x 80 x 100	PC 100/100 HT	MNX	18	150 x 150 x 110	CAB ABS 151511 T	CAB	152
130 x 80 x 100	PC 100/100 LG	MNX	17	150 x 150 x 110	CAB PC 151511 G	CAB	152
130 x 80 x 100	PC 100/100 LT	MNX	17	150 x 150 x 110	CAB PC 151511 T	CAB	152
130 x 80 x 125	PC 100/125 HG	MNX	18	152 x 66 x 46	AL 061505	EURONORD	83
130 x 80 x 125	PC 100/125 HT	MNX	18	152 x 66 x 46	ALX 061505	ATEX	202
130 x 80 x 35	PC 100/35 LG	MNX	17	160 x 80 x 55	AB 081606	EURONORD	65
130 x 80 x 35	PC 100/35 LT	MNX	17	160 x 80 x 65	AB 081607	EURONORD	65
130 x 80 x 50	PC 100/50 LG	MNX	17	160 x 80 x 85	AB 081609	EURONORD	65
130 x 80 x 50	PC 100/50 LT	MNX	17	160 x 80 x 95	AB 081610	EURONORD	65
130 x 80 x 60	PC 100/60 HG	MNX	18	160 x 120 x 90	AB 121609	EURONORD	67
130 x 80 x 60	PC 100/60 HT	MNX	18	160 x 120 x 140	AB 121614	EURONORD	67
130 x 80 x 75	PC 100/75 HG	MNX	18	160 x 75 x 55	P 081606	EURONORD	106
130 x 80 x 75	PC 100/75 HT	MNX	18	160 x 160 x 91	P 161609	EURONORD	110
130 x 80 x 75	PC 100/75 LG	MNX	17	160 x 80 x 55	PC 081606	EURONORD	65
130 x 80 x 75	PC 100/75 LT	MNX	17	160 x 80 x 65	PC 081607	EURONORD	65
130 x 130 x 100	PC 125/100 HG	MNX	20	160 x 80 x 85	PC 081609	EURONORD	65
130 x 130 x 100	PC 125/100 HT	MNX	20	160 x 80 x 95	PC 081610	EURONORD	65
130 x 130 x 100	PC 125/100 LG	MNX	19	160 x 120 x 90	PC 121609	EURONORD	67
130 x 130 x 100	PC 125/100 LT	MNX	19	160 x 120 x 140	PC 121614	EURONORD	67
130 x 130 x 125	PC 125/125 HG	MNX	20	160 x 80 x 55	PCT 081606	EURONORD	65
130 x 130 x 125	PC 125/125 HT	MNX	20	160 x 80 x 65	PCT 081607	EURONORD	65
130 x 130 x 35	PC 125/35 LG	MNX	19	160 x 80 x 85	PCT 081609	EURONORD	65
130 x 130 x 35	PC 125/35 LT	MNX	19	160 x 80 x 95	PCT 081610	EURONORD	65
130 x 130 x 50	PC 125/50 LG	MNX	19	160 x 120 x 90	PCT 121609	EURONORD	67
130 x 130 x 50	PC 125/50 LT	MNX	19	160 x 120 x 140	PCT 121614	EURONORD	67
130 x 130 x 60	PC 125/60 HG	MNX	20	160 x 75 x 55	PEX 081606	ATEX	204
130 x 130 x 60	PC 125/60 HT	MNX	20	160 x 160 x 91	PEX 161609	ATEX	204
130 x 130 x 75	PC 125/75 HG	MNX	20	163 x 162 x 91	AL 161609	EURONORD	91
130 x 130 x 75	PC 125/75 HT	MNX	20	163 x 162 x 91	ALC 161609	EURONORD	91
130 x 130 x 75	PC 125/75 LG	MNX	19	163 x 162 x 91	ALX 161609	ATEX	202
130 x 130 x 75	PC 125/75 LT	MNX	19	166 x 160 x 108	ABS 17/16-C3	CARDMASTER	193
130 x 80 x 100	PCM 100/100 G	MNX	29	166 x 160 x 80	ABS 17/16-LC3	CARDMASTER	192
130 x 80 x 100	PCM 100/100 T	MNX	29	166 x 160 x 108	PC 17/16-C3	CARDMASTER	193
130 x 80 x 125	PCM 100/125 G	MNX	29	166 x 160 x 118	PC 17/16-FC3	CARDMASTER	193
130 x 80 x 125	PCM 100/125 T	MNX	29	166 x 160 x 80	PC 17/16-LC3	CARDMASTER	192
130 x 80 x 60	PCM 100/60 G	MNX	29	166 x 160 x 89	PC 17/16-LFC3	CARDMASTER	192
130 x 80 x 60	PCM 100/60 T	MNX	29	170 x 80 x 65	ABS D 65 G	PICCOLO	54
130 x 80 x 75	PCM 100/75 G	MNX	29	170 x 80 x 65	ABS D 65 T	PICCOLO	54
130 x 80 x 75	PCM 100/75 T	MNX	29	170 x 80 x 85	ABS D 85 G	PICCOLO	54
130 x 130 x 100	PCM 125/100 G	MNX	30	170 x 80 x 85	ABS D 85 T	PICCOLO	54
130 x 130 x 100	PCM 125/100 T	MNX	30	170 x 140 x 95	ABS H 95 G	PICCOLO	56



## Enclosure index

Dimensions	Order symbol	Product family	Page	Dimensions	Order symbol	Product family	Page
170 x 140 x 95	ABS H 95 T	PICCOLO	56	180 x 130 x 125	PC 150/125 HG	MNX	22
170 x 80 x 65	PC D 65 G	PICCOLO	54	180 x 130 x 125	PC 150/125 HT	MNX	22
170 x 80 x 65	PC D 65 T	PICCOLO	54	180 x 130 x 125	PC 150/125 LG	MNX	21
170 x 80 x 85	PC D 85 G	PICCOLO	54	180 x 130 x 125	PC 150/125 LT	MNX	21
170 x 80 x 85	PC D 85 T	PICCOLO	54	180 x 130 x 125	PC 150/125 XHG	MNX	23
170 x 140 x 95	PC H 95 G	PICCOLO	56	180 x 130 x 125	PC 150/125 XHT	MNX	23
170 x 140 x 95	PC H 95 T	PICCOLO	56	180 x 130 x 150	PC 150/150 HG	MNX	22
177 x 81 x 57	AL 081806	EURONORD	86	180 x 130 x 150	PC 150/150 HT	MNX	22
177 x 81 x 57	ALC 081806	EURONORD	86	180 x 130 x 150	PC 150/150 XHG	MNX	23
177 x 81 x 57	ALX 081806	ATEX	202	180 x 130 x 150	PC 150/150 XHT	MNX	23
180 x 130 x 100	ABS 150/100 HG	MNX	22	180 x 130 x 175	PC 150/175 XHG	MNX	23
180 x 130 x 100	ABS 150/100 HT	MNX	22	180 x 130 x 175	PC 150/175 XHT	MNX	23
180 x 130 x 100	ABS 150/100 LG	MNX	21	180 x 130 x 35	PC 150/35 LG	MNX	21
180 x 130 x 100	ABS 150/100 LT	MNX	21	180 x 130 x 35	PC 150/35 LT	MNX	21
180 x 130 x 100	ABS 150/100 XHG	MNX	23	180 x 130 x 50	PC 150/50 LG	MNX	21
180 x 130 x 100	ABS 150/100 XHT	MNX	23	180 x 130 x 50	PC 150/50 LT	MNX	21
180 x 130 x 125	ABS 150/125 HG	MNX	22	180 x 130 x 60	PC 150/60 HF	MNX	22
180 x 130 x 125	ABS 150/125 HT	MNX	22	180 x 130 x 60	PC 150/60 HG	MNX	22
180 x 130 x 125	ABS 150/125 LG	MNX	21	180 x 130 x 60	PC 150/60 HT	MNX	22
180 x 130 x 125	ABS 150/125 LT	MNX	21	180 x 130 x 75	PC 150/75 HG	MNX	22
180 x 130 x 125	ABS 150/125 XHG	MNX	23	180 x 130 x 75	PC 150/75 HT	MNX	22
180 x 130 x 125	ABS 150/125 XHT	MNX	23	180 x 130 x 75	PC 150/75 LG	MNX	21
180 x 130 x 150	ABS 150/150 HG	MNX	22	180 x 130 x 75	PC 150/75 LT	MNX	21
180 x 130 x 150	ABS 150/150 HT	MNX	22	180 x 130 x 85	PC 150/85 XHF	MNX	23
180 x 130 x 150	ABS 150/150 XHG	MNX	23	180 x 130 x 85	PC 150/85 XHG	MNX	23
180 x 130 x 150	ABS 150/150 XHT	MNX	23	180 x 130 x 85	PC 150/85 XHT	MNX	23
180 x 130 x 175	ABS 150/175 XHG	MNX	23	180 x 180 x 100	PC 175/100 HG	MNX	24
180 x 130 x 175	ABS 150/175 XHT	MNX	23	180 x 180 x 100	PC 175/100 HT	MNX	24
180 x 130 x 35	ABS 150/35 LG	MNX	21	180 x 180 x 125	PC 175/125 HG	MNX	24
180 x 130 x 35	ABS 150/35 LT	MNX	21	180 x 180 x 125	PC 175/125 HT	MNX	24
180 x 130 x 50	ABS 150/50 LG	MNX	21	180 x 180 x 150	PC 175/150 HG	MNX	24
180 x 130 x 50	ABS 150/50 LT	MNX	21	180 x 180 x 150	PC 175/150 HT	MNX	24
180 x 130 x 60	ABS 150/60 HG	MNX	22	180 x 180 x 60	PC 175/60 HG	MNX	24
180 x 130 x 60	ABS 150/60 HT	MNX	22	180 x 180 x 60	PC 175/60 HT	MNX	24
180 x 130 x 75	ABS 150/75 HG	MNX	22	180 x 180 x 75	PC 175/75 HG	MNX	24
180 x 130 x 75	ABS 150/75 HT	MNX	22	180 x 180 x 75	PC 175/75 HT	MNX	24
180 x 130 x 75	ABS 150/75 LG	MNX	21	180 x 130 x 100	PCM 150/100 G	MNX	31
180 x 130 x 75	ABS 150/75 LT	MNX	21	180 x 130 x 100	PCM 150/100 T	MNX	31
180 x 130 x 85	ABS 150/85 XHG	MNX	23	180 x 130 x 100	PCM 150/100 XG	MNX	32
180 x 130 x 85	ABS 150/85 XHT	MNX	23	180 x 130 x 100	PCM 150/100 XT	MNX	32
180 x 180 x 100	ABS 175/100 HG	MNX	24	180 x 130 x 125	PCM 150/125 G	MNX	31
180 x 180 x 100	ABS 175/100 HT	MNX	24	180 x 130 x 125	PCM 150/125 T	MNX	31
180 x 180 x 125	ABS 175/125 HG	MNX	24	180 x 130 x 125	PCM 150/125 XG	MNX	32
180 x 180 x 125	ABS 175/125 HT	MNX	24	180 x 130 x 125	PCM 150/125 XT	MNX	32
180 x 180 x 150	ABS 175/150 HG	MNX	24	180 x 130 x 150	PCM 150/150 G	MNX	31
180 x 180 x 150	ABS 175/150 HT	MNX	24	180 x 130 x 150	PCM 150/150 T	MNX	31
180 x 180 x 60	ABS 175/60 HG	MNX	24	180 x 130 x 150	PCM 150/150 XG	MNX	32
180 x 180 x 60	ABS 175/60 HT	MNX	24	180 x 130 x 150	PCM 150/150 XT	MNX	32
180 x 180 x 75	ABS 175/75 HG	MNX	24	180 x 130 x 175	PCM 150/175 XG	MNX	32
180 x 180 x 75	ABS 175/75 HT	MNX	24	180 x 130 x 175	PCM 150/175 XT	MNX	32
180 x 130 x 100	PC 150/100 HG	MNX	22	180 x 130 x 60	PCM 150/60 G	MNX	31
180 x 130 x 100	PC 150/100 HT	MNX	22	180 x 130 x 60	PCM 150/60 T	MNX	31
180 x 130 x 100	PC 150/100 LG	MNX	21	180 x 130 x 75	PCM 150/75 G	MNX	31
180 x 130 x 100	PC 150/100 LT	MNX	21	180 x 130 x 75	PCM 150/75 T	MNX	31
180 x 130 x 100	PC 150/100 XHG	MNX	23	180 x 130 x 85	PCM 150/85 XG	MNX	32
180 x 130 x 100	PC 150/100 XHT	MNX	23	180 x 130 x 85	PCM 150/85 XT	MNX	32

## Enclosure index

Dimensions	Order symbol	Product family	Page	Dimensions	Order symbol	Product family	Page
180 x 180 x 100	PCM 175/100 G	MNX	33	190 x 190 x 130	EKHS 130 T	EK	139
180 x 180 x 100	PCM 175/100 T	MNX	33	190 x 190 x 130	EKHS 130 T-2FSH	EK	139
180 x 180 x 125	PCM 175/125 G	MNX	33	190 x 190 x 180	EKHS 180 G	EK	139
180 x 180 x 125	PCM 175/125 T	MNX	33	190 x 190 x 180	EKHS 180 G-2FSH	EK	139
180 x 180 x 150	PCM 175/150 G	MNX	33	190 x 190 x 180	EKHS 180 T	EK	139
180 x 180 x 150	PCM 175/150 T	MNX	33	190 x 190 x 180	EKHS 180 T-2FSH	EK	139
180 x 180 x 60	PCM 175/60 G	MNX	33	190 x 75 x 55	P 081906	EURONORD	107
180 x 180 x 60	PCM 175/60 T	MNX	33	190 x 75 x 55	PEX 081906	ATEX	204
180 x 180 x 75	PCM 175/75 G	MNX	33	200 x 120 x 75	AB 122008	EURONORD	68
180 x 180 x 75	PCM 175/75 T	MNX	33	200 x 120 x 90	AB 122009	EURONORD	68
187 x 122 x 90	TA191209	TEMPO	44	200 x 300 x 130	EKI 23-2	SPACELINK	181
187 x 122 x 90	TA191209T	TEMPO	44	200 x 300 x 170	EKI 23-2-170 G	SPACELINK	181
188 x 160 x 134	ABS 17/16-3	CARDMASTER	193	200 x 300 x 170	EKI 23-2-170 T	SPACELINK	181
188 x 160 x 134	ABS 17/16-3TT	CARDMASTER	193	200 x 300 x 130	EKI 23-4	SPACELINK	181
188 x 160 x 106	ABS 17/16-L3	CARDMASTER	192	200 x 300 x 170	EKI 23-4-170 G	SPACELINK	181
188 x 160 x 106	ABS 17/16-L3TT	CARDMASTER	192	200 x 300 x 170	EKI 23-4-170 T	SPACELINK	181
188 x 188 x 130	ABS 1919 13 G	SOLID	118	200 x 300 x 40	EKI 23/40G	SPACELINK	181
188 x 188 x 130	ABS 1919 13 G-2FSH	SOLID	118	200 x 300 x 40	EKI 23/40T	SPACELINK	181
188 x 188 x 130	ABS 1919 13 T	SOLID	118	200 x 116 x 105	MCE PC 5 MF/M	MCE	131
188 x 188 x 130	ABS 1919 13 T-2FSH	SOLID	118	200 x 190 x 105	MCE PC 9 MF/M	MCE	132
188 x 188 x 180	ABS 1919 18 G	SOLID	118	200 x 120 x 75	PC 122008	EURONORD	68
188 x 188 x 180	ABS 1919 18 G-2FSH	SOLID	118	200 x 120 x 90	PC 122009	EURONORD	68
188 x 188 x 180	ABS 1919 18 T	SOLID	118	200 x 120 x 75	PCT 122008	EURONORD	68
188 x 188 x 180	ABS 1919 18 T-2FSH	SOLID	118	200 x 120 x 90	PCT 122009	EURONORD	68
188 x 188 x 130	FEX 1919 13 G	ATEX	203	201 x 151 x 80	AB 152008	EURONORD	70
188 x 188 x 130	FEX 1919 13 T	ATEX	203	201 x 151 x 80	PC 152008	EURONORD	70
188 x 188 x 180	FEX 1919 18 G	ATEX	203	201 x 151 x 80	PCT 152008	EURONORD	70
188 x 188 x 180	FEX 1919 18 T	ATEX	203	201 x 163 x 98	TA201610	TEMPO	45
188 x 160 x 134	PC 17/16-3	CARDMASTER	193	201 x 163 x 98	TA201610T	TEMPO	45
188 x 160 x 134	PC 17/16-3TT	CARDMASTER	193	213 x 185 x 90	ABS 21/18-C3	CARDMASTER	194
188 x 160 x 106	PC 17/16-L3	CARDMASTER	192	213 x 185 x 90	PC 21/18-C3	CARDMASTER	194
188 x 160 x 106	PC 17/16-L3TT	CARDMASTER	192	213 x 185 x 102	PC 21/18-FC3	CARDMASTER	194
188 x 188 x 130	PC 1919 13 G	SOLID	118	220 x 120 x 90	P 122209	EURONORD	109
188 x 188 x 130	PC 1919 13 G-2FSH	SOLID	118	220 x 120 x 90	PEX 122209	ATEX	204
188 x 188 x 130	PC 1919 13 T	SOLID	118	222 x 125 x 81	AL 122208	EURONORD	89
188 x 188 x 130	PC 1919 13 T-2FSH	SOLID	118	222 x 125 x 81	ALC 122208	EURONORD	89
188 x 188 x 180	PC 1919 18 G	SOLID	118	222 x 125 x 81	ALX 122208	ATEX	202
188 x 188 x 180	PC 1919 18 G-2FSH	SOLID	118	230 x 80 x 65	ABS F 65 G	PICCOLO	55
188 x 188 x 180	PC 1919 18 T	SOLID	118	230 x 80 x 65	ABS F 65 T	PICCOLO	55
188 x 188 x 180	PC 1919 18 T-2FSH	SOLID	118	230 x 80 x 85	ABS F 85 G	PICCOLO	55
190 x 190 x 30	EKH 30-G	EK	139	230 x 80 x 85	ABS F 85 T	PICCOLO	55
190 x 190 x 30	EKH 30-T	EK	139	230 x 140 x 95	ABS M 95 G	PICCOLO	57
190 x 190 x 80	EKH 80-G	EK	139	230 x 140 x 95	ABS M 95 T	PICCOLO	57
190 x 190 x 80	EKH 80-T	EK	139	230 x 140 x 125	ABS MH 125 G	PICCOLO	57
190 x 190 x 100	EKHA	EK	139	230 x 140 x 125	ABS MH 125 T	PICCOLO	57
190 x 190 x 130	EKHA 130 G	EK	139	230 x 200 x 110	AL 232011	EURONORD	95
190 x 190 x 130	EKHA 130 G-2FSH	EK	139	230 x 200 x 180	AL 232018	EURONORD	95
190 x 190 x 130	EKHA 130 T	EK	139	230 x 80 x 65	PC F 65 G	PICCOLO	55
190 x 190 x 130	EKHA 130 T-2FSH	EK	139	230 x 80 x 65	PC F 65 T	PICCOLO	55
190 x 190 x 180	EKHA 180 G	EK	139	230 x 80 x 85	PC F 85 G	PICCOLO	55
190 x 190 x 180	EKHA 180 G-2FSH	EK	139	230 x 80 x 85	PC F 85 T	PICCOLO	55
190 x 190 x 180	EKHA 180 T	EK	139	230 x 140 x 95	PC M 95 G	PICCOLO	57
190 x 190 x 180	EKHA 180 T-2FSH	EK	139	230 x 140 x 95	PC M 95 T	PICCOLO	57
190 x 190 x 100	EKHS	EK	139	230 x 140 x 125	PC MH 125 G	PICCOLO	57
190 x 190 x 130	EKHS 130 G	EK	139	230 x 140 x 125	PC MH 125 T	PICCOLO	57
190 x 190 x 130	EKHS 130 G-2FSH	EK	139	235 x 185 x 119	ABS 21/18-3	CARDMASTER	194

## Enclosure index

Dimensions	Order symbol	Product family	Page	Dimensions	Order symbol	Product family	Page
235 x 185 x 119	ABS 21/18-3TT	CARDMASTER	194	255 x 180 x 150	PC 200/150 HG	MNX	25
235 x 185 x 119	PC 21/18-3	CARDMASTER	194	255 x 180 x 150	PC 200/150 HT	MNX	25
235 x 185 x 119	PC 21/18-3TT	CARDMASTER	194	255 x 180 x 175	PC 200/175 XHG	MNX	26
240 x 191 x 107	TA241911	TEMPO	46	255 x 180 x 175	PC 200/175 XHT	MNX	26
240 x 191 x 107	TA241911T	TEMPO	46	255 x 180 x 63	PC 200/63 HG	MNX	25
244 x 124 x 102	AB 122410	EURONORD	69	255 x 180 x 63	PC 200/63 HT	MNX	25
244 x 164 x 90	AB 162409	EURONORD	72	255 x 180 x 75	PC 200/75 HG	MNX	25
244 x 164 x 120	AB 162412	EURONORD	72	255 x 180 x 75	PC 200/75 HT	MNX	25
244 x 124 x 102	ABQ 122410	EURONORD	69	255 x 180 x 88	PC 200/88 XHG	MNX	26
244 x 164 x 90	ABQ 162409	EURONORD	72	255 x 180 x 88	PC 200/88 XHT	MNX	26
244 x 164 x 120	ABQ 162412	EURONORD	72	255 x 180 x 100	PCM 200/100 G	MNX	34
244 x 124 x 102	PC 122410	EURONORD	69	255 x 180 x 100	PCM 200/100 T	MNX	34
244 x 164 x 90	PC 162409	EURONORD	72	255 x 180 x 100	PCM 200/100 XG	MNX	35
244 x 164 x 120	PC 162412	EURONORD	72	255 x 180 x 100	PCM 200/100 XT	MNX	35
244 x 124 x 102	PCQ 122410	EURONORD	69	255 x 180 x 125	PCM 200/125 XG	MNX	35
244 x 164 x 90	PCQ 162409	EURONORD	72	255 x 180 x 125	PCM 200/125 XT	MNX	35
244 x 164 x 120	PCQ 162412	EURONORD	72	255 x 180 x 150	PCM 200/150 G	MNX	34
244 x 124 x 102	PCT 122410	EURONORD	69	255 x 180 x 150	PCM 200/150 T	MNX	34
244 x 164 x 90	PCT 162409	EURONORD	72	255 x 180 x 175	PCM 200/175 XG	MNX	35
244 x 164 x 120	PCT 162412	EURONORD	72	255 x 180 x 175	PCM 200/175 XT	MNX	35
244 x 124 x 102	PCTQ 122410	EURONORD	69	255 x 180 x 63	PCM 200/63 G	MNX	34
244 x 164 x 90	PCTQ 162409	EURONORD	72	255 x 180 x 63	PCM 200/63 T	MNX	34
244 x 164 x 120	PCTQ 162412	EURONORD	72	255 x 180 x 75	PCM 200/75 G	MNX	34
250 x 160 x 90	AB 162509	EURONORD	73	255 x 180 x 75	PCM 200/75 T	MNX	34
250 x 160 x 125	AB 162513	EURONORD	73	255 x 180 x 88	PCM 200/88 XG	MNX	35
250 x 160 x 150	AB 162515	EURONORD	73	255 x 180 x 88	PCM 200/88 XT	MNX	35
250 x 160 x 90	PC 162509	EURONORD	73	256 x 251 x 121	P 252612	EURONORD	113
250 x 160 x 125	PC 162513	EURONORD	73	256 x 251 x 121	PEX 252612	ATEX	204
250 x 160 x 150	PC 162515	EURONORD	73	257 x 219 x 122	ABS 25/22-C3	CARDMASTER	195
250 x 160 x 90	PCT 162509	EURONORD	73	257 x 219 x 122	PC 25/22-C3	CARDMASTER	195
250 x 160 x 125	PCT 162513	EURONORD	73	257 x 219 x 135	PC 25/22-FC3	CARDMASTER	195
250 x 160 x 150	PCT 162515	EURONORD	73	260 x 160 x 92	P 162609	EURONORD	111
252 x 81 x 57	AL 082506	EURONORD	87	260 x 160 x 92	PEX 162609	ATEX	204
252 x 81 x 57	ALX 082506	ATEX	202	263 x 162 x 91	AL 162609	EURONORD	92
255 x 180 x 100	ABS 200/100 HG	MNX	25	263 x 162 x 91	ALC 162609	EURONORD	92
255 x 180 x 100	ABS 200/100 HT	MNX	25	263 x 162 x 91	ALX 162609	ATEX	202
255 x 180 x 100	ABS 200/100 XHG	MNX	26	278 x 188 x 130	ABS 2819 13 G	SOLID	119
255 x 180 x 100	ABS 200/100 XHT	MNX	26	278 x 188 x 130	ABS 2819 13 G-2FSH	SOLID	119
255 x 180 x 125	ABS 200/125 XHG	MNX	26	278 x 188 x 130	ABS 2819 13 T	SOLID	119
255 x 180 x 125	ABS 200/125 XHT	MNX	26	278 x 188 x 130	ABS 2819 13 T-2FSH	SOLID	119
255 x 180 x 150	ABS 200/150 HG	MNX	25	278 x 188 x 180	ABS 2819 18 G	SOLID	119
255 x 180 x 150	ABS 200/150 HT	MNX	25	278 x 188 x 180	ABS 2819 18 G-2FSH	SOLID	119
255 x 180 x 175	ABS 200/175 XHG	MNX	26	278 x 188 x 180	ABS 2819 18 T	SOLID	119
255 x 180 x 175	ABS 200/175 XHT	MNX	26	278 x 188 x 180	ABS 2819 18 T-2FSH	SOLID	119
255 x 180 x 63	ABS 200/63 HG	MNX	25	278 x 278 x 130	ABS 2828 13 G	SOLID	121
255 x 180 x 63	ABS 200/63 HT	MNX	25	278 x 278 x 130	ABS 2828 13 G-2FSH	SOLID	121
255 x 180 x 75	ABS 200/75 HG	MNX	25	278 x 278 x 130	ABS 2828 13 T	SOLID	121
255 x 180 x 75	ABS 200/75 HT	MNX	25	278 x 278 x 130	ABS 2828 13 T-2FSH	SOLID	121
255 x 180 x 88	ABS 200/88 XHG	MNX	26	278 x 278 x 180	ABS 2828 18 G	SOLID	121
255 x 180 x 88	ABS 200/88 XHT	MNX	26	278 x 278 x 180	ABS 2828 18 G-2FSH	SOLID	121
255 x 180 x 100	PC 200/100 HG	MNX	25	278 x 278 x 180	ABS 2828 18 T	SOLID	121
255 x 180 x 100	PC 200/100 HT	MNX	25	278 x 278 x 180	ABS 2828 18 T-2FSH	SOLID	121
255 x 180 x 100	PC 200/100 XHG	MNX	26	278 x 188 x 130	FEX 2819 13 G	ATEX	203
255 x 180 x 100	PC 200/100 XHT	MNX	26	278 x 188 x 130	FEX 2819 13 T	ATEX	203
255 x 180 x 125	PC 200/125 XHG	MNX	26	278 x 188 x 180	FEX 2819 18 G	ATEX	203
255 x 180 x 125	PC 200/125 XHT	MNX	26	278 x 188 x 180	FEX 2819 18 T	ATEX	203

## Enclosure index

Dimensions	Order symbol	Product family	Page	Dimensions	Order symbol	Product family	Page
278 x 278 x 130	FEX 2828 13 G	ATEX	203	280 x 219 x 156	PC 25/22-3	CARDMASTER	195
278 x 278 x 130	FEX 2828 13 T	ATEX	203	280 x 219 x 156	PC 25/22-3TT	CARDMASTER	195
278 x 278 x 180	FEX 2828 18 G	ATEX	203	289 x 239 x 107	TA292411	TEMPO	47
278 x 278 x 180	FEX 2828 18 T	ATEX	203	289 x 239 x 107	TA292411T	TEMPO	47
278 x 188 x 130	PC 2819 13 G	SOLID	119	300 x 230 x 87	AB 233009	EURONORD	76
278 x 188 x 130	PC 2819 13 G-2FSH	SOLID	119	300 x 230 x 110	AB 233011	EURONORD	76
278 x 188 x 130	PC 2819 13 T	SOLID	119	300 x 200 x 180	CAB ABS 203018 G	CAB	153
278 x 188 x 130	PC 2819 13 T-2FSH	SOLID	119	300 x 200 x 180	CAB ABS 203018 T	CAB	153
278 x 188 x 180	PC 2819 18 G	SOLID	119	300 x 200 x 180	CAB ABS 302018 G	CAB	153
278 x 188 x 180	PC 2819 18 G-2FSH	SOLID	119	300 x 200 x 180	CAB ABS 302018 G3B	CAB	153
278 x 188 x 180	PC 2819 18 T	SOLID	119	300 x 200 x 180	CAB ABS 302018 T	CAB	153
278 x 188 x 180	PC 2819 18 T-2FSH	SOLID	119	300 x 200 x 180	CAB ABS 302018 T3B	CAB	153
278 x 278 x 130	PC 2828 13 G	SOLID	121	300 x 300 x 180	CAB ABS 303018 G	CAB	154
278 x 278 x 130	PC 2828 13 G-2FSH	SOLID	121	300 x 300 x 180	CAB ABS 303018 G3B	CAB	154
278 x 278 x 130	PC 2828 13 T	SOLID	121	300 x 300 x 180	CAB ABS 303018 T	CAB	154
278 x 278 x 130	PC 2828 13 T-2FSH	SOLID	121	300 x 300 x 180	CAB ABS 303018 T3B	CAB	154
278 x 278 x 180	PC 2828 18 G	SOLID	121	300 x 200 x 170	CAB ABSQ 302017 G	QUICK	170
278 x 278 x 180	PC 2828 18 G-2FSH	SOLID	121	300 x 200 x 170	CAB ABSQ 302017 T	QUICK	170
278 x 278 x 180	PC 2828 18 T	SOLID	121	300 x 300 x 170	CAB ABSQ 303017 G	QUICK	171
278 x 278 x 180	PC 2828 18 T-2FSH	SOLID	121	300 x 300 x 170	CAB ABSQ 303017 T	QUICK	171
280 x 219 x 156	ABS 25/22-3	CARDMASTER	195	300 x 200 x 180	CAB PC 203018 G	CAB	153
280 x 219 x 156	ABS 25/22-3TT	CARDMASTER	195	300 x 200 x 180	CAB PC 203018 T	CAB	153
280 x 230 x 110	AL 232811	EURONORD	96	300 x 200 x 180	CAB PC 302018 G	CAB	153
280 x 192 x 110	DGA 281911	DG	40	300 x 200 x 180	CAB PC 302018 G3B	CAB	153
280 x 192 x 110	DGM 281911	DG	40	300 x 200 x 180	CAB PC 302018 T	CAB	153
280 x 192 x 110	DGP 281911	DG	40	300 x 200 x 180	CAB PC 302018 T3B	CAB	153
280 x 190 x 30	EKJ 30-G	EK	140	300 x 300 x 180	CAB PC 303018 G	CAB	154
280 x 190 x 30	EKJ 30-T	EK	140	300 x 300 x 180	CAB PC 303018 G3B	CAB	154
280 x 190 x 80	EKJ 80-G	EK	140	300 x 300 x 180	CAB PC 303018 T	CAB	154
280 x 190 x 80	EKJ 80-T	EK	140	300 x 300 x 180	CAB PC 303018 T3B	CAB	154
280 x 190 x 100	EKJB	EK	140	300 x 200 x 170	CAB PCQ 302017 G	QUICK	170
280 x 190 x 130	EKJB 130 G	EK	140	300 x 200 x 170	CAB PCQ 302017 T	QUICK	170
280 x 190 x 130	EKJB 130 G-2FSH	EK	140	300 x 300 x 170	CAB PCQ 303017 G	QUICK	171
280 x 190 x 130	EKJB 130 T	EK	140	300 x 300 x 170	CAB PCQ 303017 T	QUICK	171
280 x 190 x 130	EKJB 130 T-2FSH	EK	140	300 x 300 x 130	EKI 33-2	SPACELINK	182
280 x 190 x 180	EKJB 180 G	EK	140	300 x 300 x 170	EKI 33-2-170 G	SPACELINK	182
280 x 190 x 180	EKJB 180 G-2FSH	EK	140	300 x 300 x 170	EKI 33-2-170 T	SPACELINK	182
280 x 190 x 180	EKJB 180 T	EK	140	300 x 300 x 130	EKI 33-4	SPACELINK	182
280 x 190 x 180	EKJB 180 T-2FSH	EK	140	300 x 300 x 170	EKI 33-4-170 G	SPACELINK	182
280 x 190 x 180	EKMB 180 T	EK	141	300 x 300 x 170	EKI 33-4-170 T	SPACELINK	182
280 x 190 x 180	EKMB 180 T-2FSH	EK	141	300 x 300 x 40	EKI 33/40G	SPACELINK	182
280 x 280 x 30	EKO 30-G	EK	142	300 x 300 x 40	EKI 33/40T	SPACELINK	182
280 x 280 x 30	EKO 30-T	EK	142	300 x 230 x 87	PC 233009	EURONORD	76
280 x 280 x 80	EKO 80-G	EK	142	300 x 230 x 110	PC 233011	EURONORD	76
280 x 280 x 80	EKO 80-T	EK	142	300 x 230 x 87	PCT 233009	EURONORD	76
280 x 280 x 100	EKOE	EK	142	300 x 230 x 110	PCT 233011	EURONORD	76
280 x 280 x 130	EKOE 130 G	EK	142	314 x 260 x 95	ABS 30/25-C3	CARDMASTER	196
280 x 280 x 130	EKOE 130 G-2FSH	EK	142	314 x 260 x 95	PC 30/25-C3	CARDMASTER	196
280 x 280 x 130	EKOE 130 T	EK	142	314 x 260 x 110	PC 30/25-FC3	CARDMASTER	196
280 x 280 x 130	EKOE 130 T-2FSH	EK	142	315 x 215 x 170	CAB P 302017	CAB	160
280 x 280 x 180	EKOE 180 G	EK	142	320 x 260 x 129	ABS 30/25-3	CARDMASTER	196
280 x 280 x 180	EKOE 180 G-2FSH	EK	142	320 x 260 x 129	ABS 30/25-3TT	CARDMASTER	196
280 x 280 x 180	EKOE 180 T	EK	142	320 x 260 x 129	PC 30/25-3	CARDMASTER	196
280 x 280 x 180	EKOE 180 T-2FSH	EK	142	320 x 260 x 129	PC 30/25-3TT	CARDMASTER	196
280 x 306 x 145	MCE PC 14 MF/FL	MCE	133	330 x 230 x 110	AL 233311	EURONORD	97
280 x 306 x 145	MCE PC 14 MF/M	MCE	133	330 x 230 x 180	AL 233318	EURONORD	97

## Enclosure index

Dimensions	Order symbol	Product family	Page	Dimensions	Order symbol	Product family	Page
340 x 150 x 101	AB 153410	EURONORD	71	378 x 188 x 180	FEX 3819 18 T	ATEX	203
340 x 150 x 121	AB 153412	EURONORD	71	378 x 278 x 130	FEX 3828 13 G	ATEX	203
340 x 150 x 101	ABQ 153410	EURONORD	71	378 x 278 x 130	FEX 3828 13 T	ATEX	203
340 x 150 x 121	ABQ 153412	EURONORD	71	378 x 278 x 180	FEX 3828 18 G	ATEX	203
340 x 150 x 101	PC 153410	EURONORD	71	378 x 278 x 180	FEX 3828 18 T	ATEX	203
340 x 150 x 121	PC 153412	EURONORD	71	378 x 188 x 130	PC 3819 13 G	SOLID	120
340 x 150 x 101	PCQ 153410	EURONORD	71	378 x 188 x 130	PC 3819 13 G-2FSH	SOLID	120
340 x 150 x 121	PCQ 153412	EURONORD	71	378 x 188 x 130	PC 3819 13 T	SOLID	120
340 x 150 x 101	PCT 153410	EURONORD	71	378 x 188 x 130	PC 3819 13 T-2FSH	SOLID	120
340 x 150 x 121	PCT 153412	EURONORD	71	378 x 188 x 180	PC 3819 18 G	SOLID	120
340 x 150 x 101	PCTQ 153410	EURONORD	71	378 x 188 x 180	PC 3819 18 G-2FSH	SOLID	120
340 x 150 x 121	PCTQ 153412	EURONORD	71	378 x 188 x 180	PC 3819 18 T	SOLID	120
344 x 289 x 117	TA342912	TEMPO	48	378 x 188 x 180	PC 3819 18 T-2FSH	SOLID	120
344 x 289 x 117	TA342912T	TEMPO	48	378 x 278 x 130	PC 3828 13 G	SOLID	122
360 x 160 x 101	AB 163610	EURONORD	74	378 x 278 x 130	PC 3828 13 G-2FSH	SOLID	122
360 x 200 x 151	AB 203615	EURONORD	75	378 x 278 x 130	PC 3828 13 T	SOLID	122
360 x 160 x 101	ABQ 163610	EURONORD	74	378 x 278 x 130	PC 3828 13 T-2FSH	SOLID	122
360 x 200 x 151	ABQ 203615	EURONORD	75	378 x 278 x 180	PC 3828 18 G	SOLID	122
360 x 255 x 152	ABS 300/150 ZG	MNX	27	378 x 278 x 180	PC 3828 18 G-2FSH	SOLID	122
360 x 255 x 152	ABS 300/150 ZT	MNX	27	378 x 278 x 180	PC 3828 18 T	SOLID	122
360 x 160 x 90	AL 163609	EURONORD	93	378 x 278 x 180	PC 3828 18 T-2FSH	SOLID	122
360 x 160 x 101	PC 163610	EURONORD	74	380 x 190 x 30	EKM 30-G	EK	141
360 x 200 x 151	PC 203615	EURONORD	75	380 x 190 x 30	EKM 30-T	EK	141
360 x 255 x 152	PC 300/150 ZG	MNX	27	380 x 190 x 80	EKM 80-G	EK	141
360 x 255 x 152	PC 300/150 ZT	MNX	27	380 x 190 x 80	EKM 80-T	EK	141
360 x 255 x 152	PCM 300/150 ZG	MNX	36	380 x 190 x 100	EKMB	EK	141
360 x 255 x 152	PCM 300/150 ZT	MNX	36	380 x 190 x 130	EKMB 130 G	EK	141
360 x 160 x 101	PCQ 163610	EURONORD	74	380 x 190 x 130	EKMB 130 G-2FSH	EK	141
360 x 200 x 151	PCQ 203615	EURONORD	75	380 x 190 x 130	EKMB 130 T	EK	141
360 x 160 x 101	PCT 163610	EURONORD	74	380 x 190 x 130	EKMB 130 T-2FSH	EK	141
360 x 200 x 151	PCT 203615	EURONORD	75	380 x 190 x 180	EKMB 180 G	EK	141
360 x 160 x 101	PCTQ 163610	EURONORD	74	380 x 190 x 180	EKMB 180 G-2FSH	EK	141
360 x 200 x 151	PCTQ 203615	EURONORD	75	380 x 190 x 100	EKMR	EK	141
361 x 160 x 91	P 163609	EURONORD	112	380 x 190 x 130	EKMR 130 G	EK	141
361 x 160 x 91	PEX 163609	ATEX	204	380 x 190 x 130	EKMR 130 G-2FSH	EK	141
362 x 125 x 81	AL 123608	EURONORD	90	380 x 190 x 130	EKMR 130 T	EK	141
362 x 125 x 81	ALX 123608	ATEX	202	380 x 190 x 130	EKMR 130 T-2FSH	EK	141
378 x 188 x 130	ABS 3819 13 G	SOLID	120	380 x 190 x 180	EKMR 180 G	EK	141
378 x 188 x 130	ABS 3819 13 G-2FSH	SOLID	120	380 x 190 x 180	EKMR 180 G-2FSH	EK	141
378 x 188 x 130	ABS 3819 13 T	SOLID	120	380 x 190 x 180	EKMR 180 T	EK	141
378 x 188 x 130	ABS 3819 13 T-2FSH	SOLID	120	380 x 190 x 180	EKMR 180 T-2FSH	EK	141
378 x 188 x 180	ABS 3819 18 G	SOLID	120	380 x 280 x 30	EKP 30-G	EK	143
378 x 188 x 180	ABS 3819 18 G-2FSH	SOLID	120	380 x 280 x 30	EKP 30-G	EK	144
378 x 188 x 180	ABS 3819 18 T	SOLID	120	380 x 280 x 30	EKP 30-T	EK	143
378 x 188 x 180	ABS 3819 18 T-2FSH	SOLID	120	380 x 280 x 30	EKP 30-T	EK	144
378 x 278 x 130	ABS 3828 13 G	SOLID	122	380 x 280 x 80	EKP 80-G	EK	143
378 x 278 x 130	ABS 3828 13 G-2FSH	SOLID	122	380 x 280 x 80	EKP 80-G	EK	144
378 x 278 x 130	ABS 3828 13 T	SOLID	122	380 x 280 x 80	EKP 80-T	EK	143
378 x 278 x 130	ABS 3828 13 T-2FSH	SOLID	122	380 x 280 x 80	EKP 80-T	EK	144
378 x 278 x 180	ABS 3828 18 G	SOLID	122	380 x 280 x 100	EKPE	EK	143
378 x 278 x 180	ABS 3828 18 G-2FSH	SOLID	122	380 x 280 x 130	EKPE 130 G	EK	143
378 x 278 x 180	ABS 3828 18 T	SOLID	122	380 x 280 x 130	EKPE 130 G-2FSH	EK	143
378 x 278 x 180	ABS 3828 18 T-2FSH	SOLID	122	380 x 280 x 130	EKPE 130 T	EK	143
378 x 188 x 130	FEX 3819 13 G	ATEX	203	380 x 280 x 130	EKPE 130 T-2FSH	EK	143
378 x 188 x 130	FEX 3819 13 T	ATEX	203	380 x 280 x 180	EKPE 180 G	EK	143
378 x 188 x 180	FEX 3819 18 G	ATEX	203	380 x 280 x 180	EKPE 180 G-2FSH	EK	143

## Enclosure index

Dimensions	Order symbol	Product family	Page	Dimensions	Order symbol	Product family	Page
380 x 280 x 180	EKPE 180 T	EK	143	400 x 300 x 170	CAB PCQ 403017 T	QUICK	172
380 x 280 x 180	EKPE 180 T-2FSH	EK	143	400 x 300 x 230	CAB PCQ 403023 G	QUICK	172
380 x 280 x 100	EKPG	EK	143	400 x 300 x 230	CAB PCQ 403023 T	QUICK	172
380 x 280 x 130	EKPG 130 G	EK	143	400 x 400 x 170	CAB PCQ 404017 G	QUICK	173
380 x 280 x 130	EKPG 130 G-2FSH	EK	143	400 x 400 x 170	CAB PCQ 404017 T	QUICK	173
380 x 280 x 130	EKPG 130 T	EK	143	400 x 300 x 130	EKI 43-2	SPACELINK	183
380 x 280 x 130	EKPG 130 T-2FSH	EK	143	400 x 300 x 130	EKI 43-4	SPACELINK	183
380 x 280 x 180	EKPG 180 G	EK	143	400 x 300 x 170	EKI 43-4-170 G	SPACELINK	183
380 x 280 x 180	EKPG 180 G-2FSH	EK	143	400 x 300 x 170	EKI 43-4-170 T	SPACELINK	183
380 x 280 x 180	EKPG 180 T	EK	143	400 x 300 x 230	EKI 43-4-230 G	SPACELINK	183
380 x 280 x 180	EKPG 180 T-2FSH	EK	143	400 x 300 x 230	EKI 43-4-230 T	SPACELINK	183
380 x 280 x 150	EKPK	EK	144	400 x 300 x 130	EKI 43-5A	SPACELINK	183
380 x 280 x 180	EKPK 180 G	EK	144	400 x 300 x 170	EKI 43-5A-170 G	SPACELINK	183
380 x 280 x 180	EKPK 180 G-2FSH	EK	144	400 x 300 x 170	EKI 43-5A-170 T	SPACELINK	183
380 x 280 x 180	EKPK 180 T	EK	144	400 x 300 x 230	EKI 43-5A-230 G	SPACELINK	183
380 x 280 x 180	EKPK 180 T-2FSH	EK	144	400 x 300 x 230	EKI 43-5A-230 T	SPACELINK	183
380 x 280 x 230	EKPK 230 G	EK	144	400 x 300 x 100	EKI 43/100G	SPACELINK	183
380 x 280 x 230	EKPK 230 G-2FSH	EK	144	400 x 300 x 100	EKI 43/100T	SPACELINK	183
380 x 280 x 230	EKPK 230 T	EK	144	400 x 300 x 40	EKI 43/40G	SPACELINK	183
380 x 280 x 230	EKPK 230 T-2FSH	EK	144	400 x 300 x 40	EKI 43/40T	SPACELINK	183
380 x 280 x 150	EKPL	EK	144	400 x 400 x 130	EKI 44-4	SPACELINK	184
380 x 280 x 180	EKPL 180 G	EK	144	400 x 400 x 170	EKI 44-4-170 G	SPACELINK	184
380 x 280 x 180	EKPL 180 G-2FSH	EK	144	400 x 400 x 170	EKI 44-4-170 T	SPACELINK	184
380 x 280 x 180	EKPL 180 T	EK	144	400 x 400 x 40	EKI 44/40G	SPACELINK	184
380 x 280 x 180	EKPL 180 T-2FSH	EK	144	400 x 400 x 40	EKI 44/40T	SPACELINK	184
380 x 280 x 230	EKPL 230 G	EK	144	401 x 230 x 110	AL 234011	EURONORD	98
380 x 280 x 230	EKPL 230 G-2FSH	EK	144	402 x 250 x 120	P 254012	EURONORD	114
380 x 280 x 230	EKPL 230 T	EK	144	402 x 250 x 120	PEX 254012	ATEX	204
380 x 280 x 230	EKPL 230 T-2FSH	EK	144	403 x 310 x 110	AL 314011	EURONORD	100
383 x 316 x 134	ABS 36/31-C3	CARDMASTER	197	403 x 310 x 180	AL 314018	EURONORD	100
383 x 316 x 134	PC 36/31-C3	CARDMASTER	197	406 x 401 x 120	P 404012	EURONORD	115
390 x 316 x 167	ABS 36/31-3	CARDMASTER	197	406 x 401 x 120	PEX 404012	ATEX	204
390 x 316 x 167	ABS 36/31-3TT	CARDMASTER	197	415 x 315 x 170	CAB P 403017	CAB	161
390 x 316 x 167	PC 36/31-3	CARDMASTER	197	430 x 306 x 145	MCE PC 28 MF/FL	MCE	134
390 x 316 x 167	PC 36/31-3TT	CARDMASTER	197	430 x 306 x 145	MCE PC 28 MF/M	MCE	134
400 x 360 x 151	AB 364015	EURONORD	77	500 x 400 x 200	CAB ABS 405020 G	CAB	156
400 x 360 x 151	ABQ 364015	EURONORD	77	500 x 400 x 200	CAB ABS 405020 T	CAB	156
400 x 300 x 180	CAB ABS 304018 G	CAB	155	500 x 400 x 200	CAB ABS 504020 G	CAB	156
400 x 300 x 180	CAB ABS 304018 T	CAB	155	500 x 400 x 200	CAB ABS 504020 G3B	CAB	156
400 x 300 x 180	CAB ABS 403018 G	CAB	155	500 x 400 x 200	CAB ABS 504020 T	CAB	156
400 x 300 x 180	CAB ABS 403018 G3B	CAB	155	500 x 400 x 200	CAB ABS 504020 T3B	CAB	156
400 x 300 x 180	CAB ABS 403018 T	CAB	155	500 x 400 x 200	CAB PC 405020 G	CAB	156
400 x 300 x 180	CAB ABS 403018 T3B	CAB	155	500 x 400 x 200	CAB PC 405020 T	CAB	156
400 x 300 x 170	CAB ABSQ 403017 G	QUICK	172	500 x 400 x 200	CAB PC 504020 G	CAB	156
400 x 300 x 170	CAB ABSQ 403017 T	QUICK	172	500 x 400 x 200	CAB PC 504020 G3B	CAB	156
400 x 300 x 230	CAB ABSQ 403023 G	QUICK	172	500 x 400 x 200	CAB PC 504020 T	CAB	156
400 x 300 x 230	CAB ABSQ 403023 T	QUICK	172	500 x 400 x 200	CAB PC 504020 T3B	CAB	156
400 x 400 x 170	CAB ABSQ 404017 G	QUICK	173	515 x 415 x 230	CAB P 504023	CAB	162
400 x 400 x 170	CAB ABSQ 404017 T	QUICK	173	558 x 278 x 130	ABS 5628 13 G	SOLID	123
400 x 300 x 180	CAB PC 304018 G	CAB	155	558 x 278 x 130	ABS 5628 13 G-3FSH	SOLID	123
400 x 300 x 180	CAB PC 304018 T	CAB	155	558 x 278 x 130	ABS 5628 13 T	SOLID	123
400 x 300 x 180	CAB PC 403018 G	CAB	155	558 x 278 x 130	ABS 5628 13 T-3FSH	SOLID	123
400 x 300 x 180	CAB PC 403018 G3B	CAB	155	558 x 378 x 180	ABS 5638 18 G	SOLID	124
400 x 300 x 180	CAB PC 403018 T	CAB	155	558 x 378 x 180	ABS 5638 18 G-3FSH	SOLID	124
400 x 300 x 180	CAB PC 403018 T3B	CAB	155	558 x 378 x 180	ABS 5638 18 T	SOLID	124
400 x 300 x 170	CAB PCQ 403017 G	QUICK	172	558 x 378 x 180	ABS 5638 18 T-3FSH	SOLID	124

## Fibox Enclosures

Fibox is the market leader in plastic and aluminium enclosures used for housing and protecting electronic and electrical components in hostile environments, and is one of the largest enclosure manufacturers in the world.

[www.fibox.com](http://www.fibox.com)

Fibox Oy Ab  
PO Box 16  
FI-02421 Jorvas  
Finland

Fibox Ltd  
3 Primrose Hill Industrial Park  
Orde Wingate way  
Stockton on Tees  
Cleveland TS 19 OBJ  
England

Tel: +358 207 785 700  
Fax: +358 207 785 702  
E-mail: [info@fibox.fi](mailto:info@fibox.fi)

Tel: +44 1642 604 400  
Fax: +44 1642 604 600  
E-mail: [sales@fibox.co.uk](mailto:sales@fibox.co.uk)