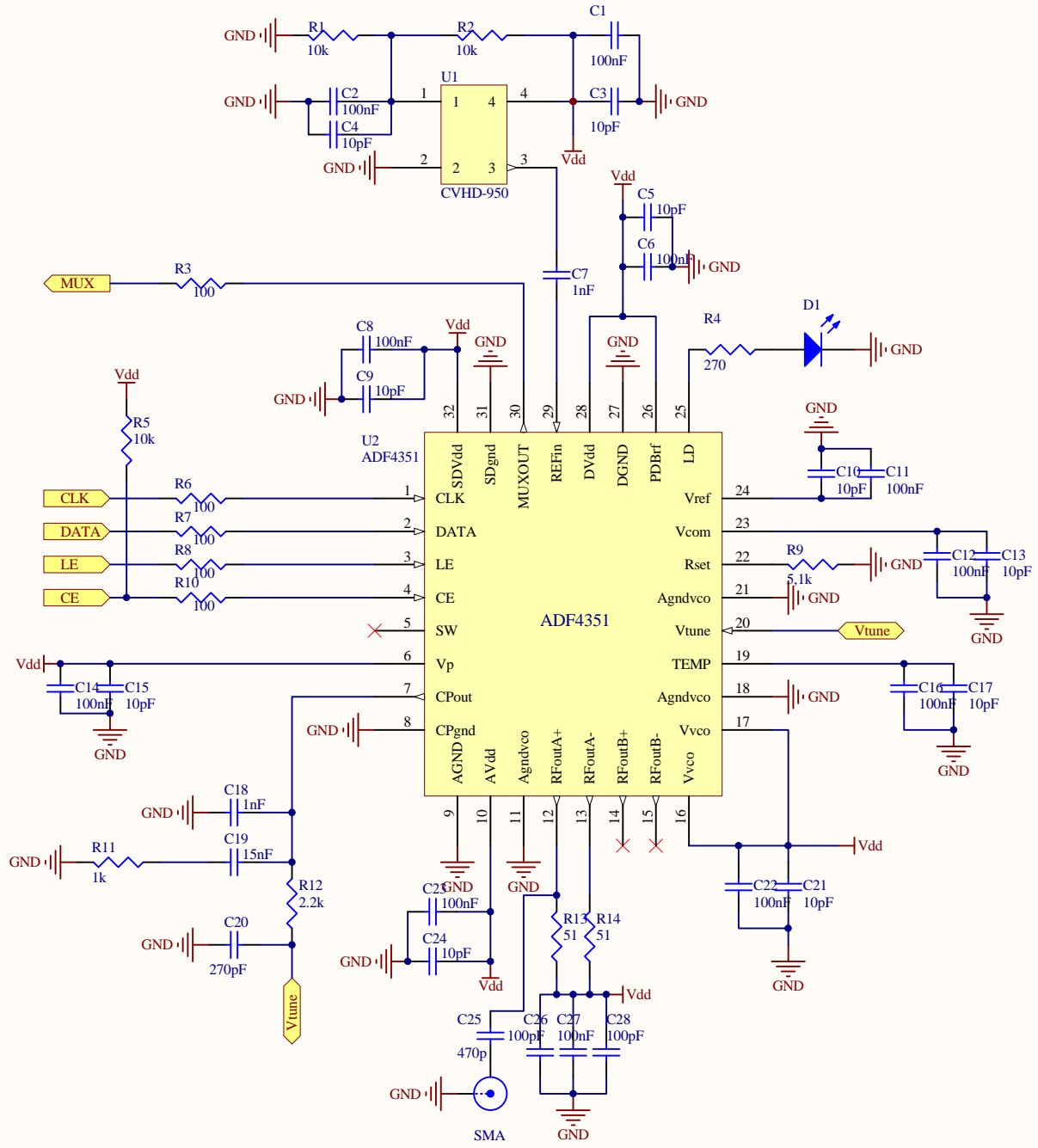


Loop Filter:
 BW=35kHz, $f_i=50^\circ$, $I_{cp}=1.88mA$



Title		
Size	Number	Revision
A4		
Date:	20.2.2014	Sheet of
File:	D:\Dropbox\...\adf4351_rev3_LN.SchDoc	Drawn By: