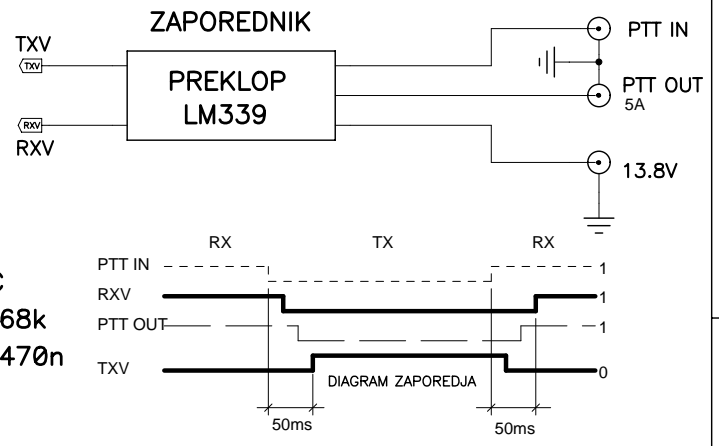


R/C  
 R23 = 68k  
 C35 = 470n



ZAPOREDNIK  
 PREKLOP  
 LM339

|                              |                   |                  |
|------------------------------|-------------------|------------------|
| Title                        |                   |                  |
| MENINA II – 432/21 MHz – 45W |                   |                  |
| Size                         | Number            | Rev              |
| A3                           | S53WW/S53RM&S51RM | 2                |
| Date                         | 10.01.2009        | Drawn by 3RM&1RM |
| Filename                     | MENINA II bs.SCH  | Sheet 1 of 1     |