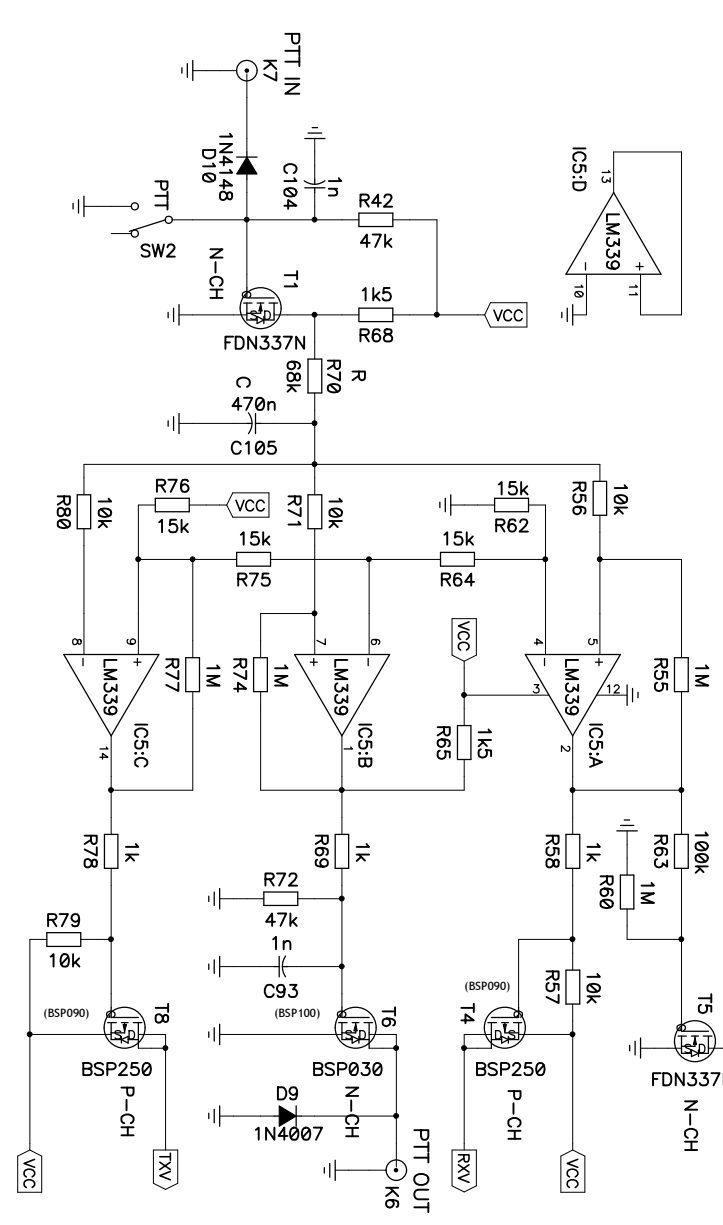
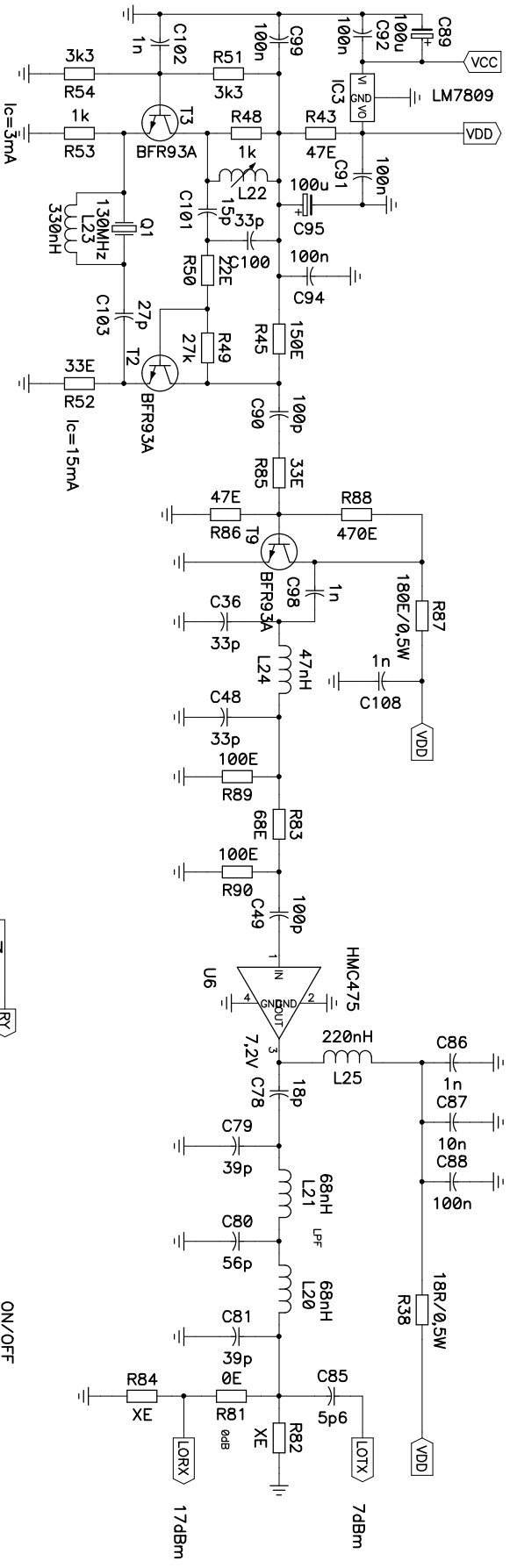


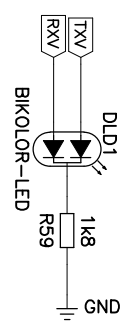
Title: MURKA - 144/14 - 5W

Size: A3
 Number: S53WW & S53RM, S51RM
 Date: 10.01.2013
 Filename: MURKA.sch

Rev: 2
 Drawn by: RM&RM
 Sheet 1 of 2



U = 13.8V
 RX = 340mA
 TX = 2A/10W



| | | | |
|------------|----------------------|----------------------|----|
| Title | | MURKA - 144/14 - 10W | |
| Size | Number | Rev | |
| A3 | SS3WW & SS3RM, SS1RM | 2 | |
| Date | Drawn by | Sheet | of |
| 10.01.2013 | MURKA.sch | 2 | 2 |

