

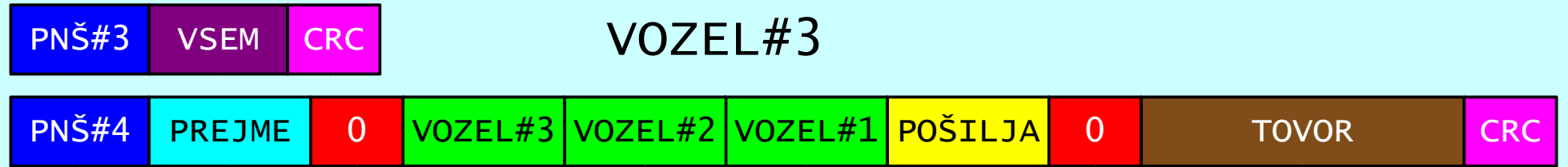
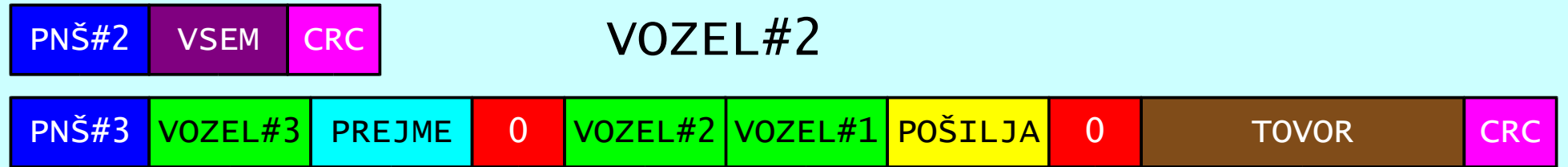
RIS 2010

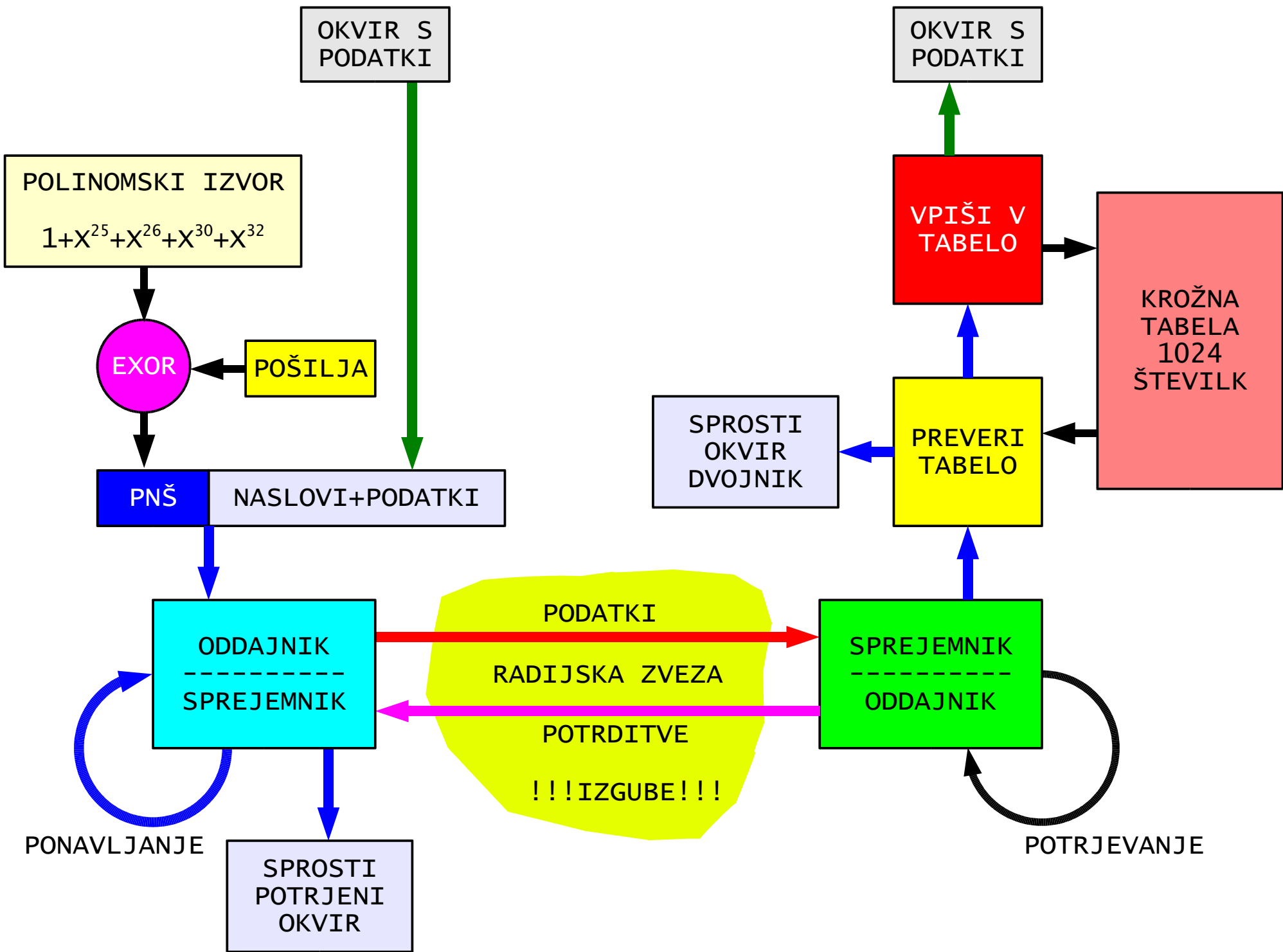
NE-BREZHIBNI PROTOKOL

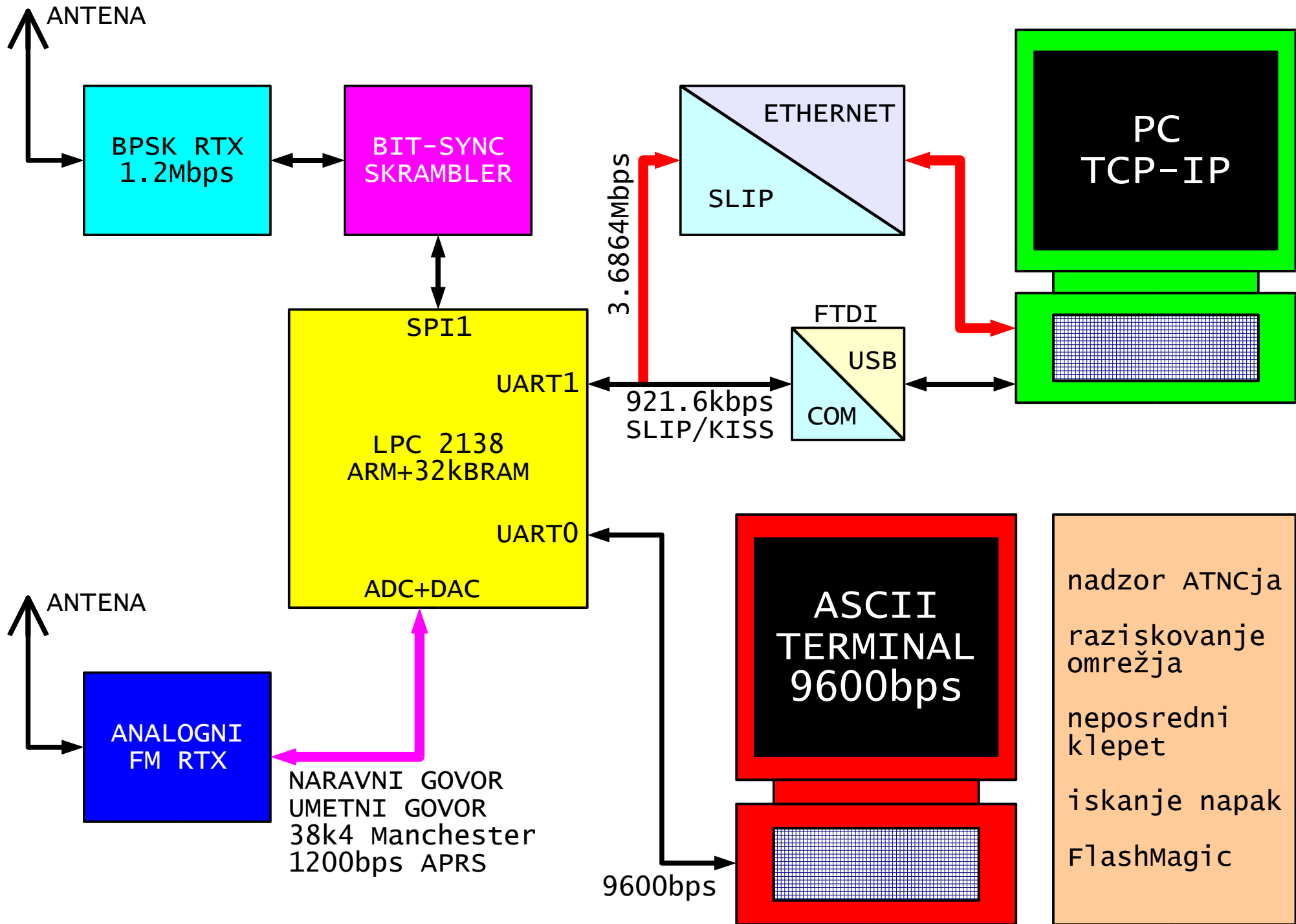
Matjaž Vidmar, S53MV

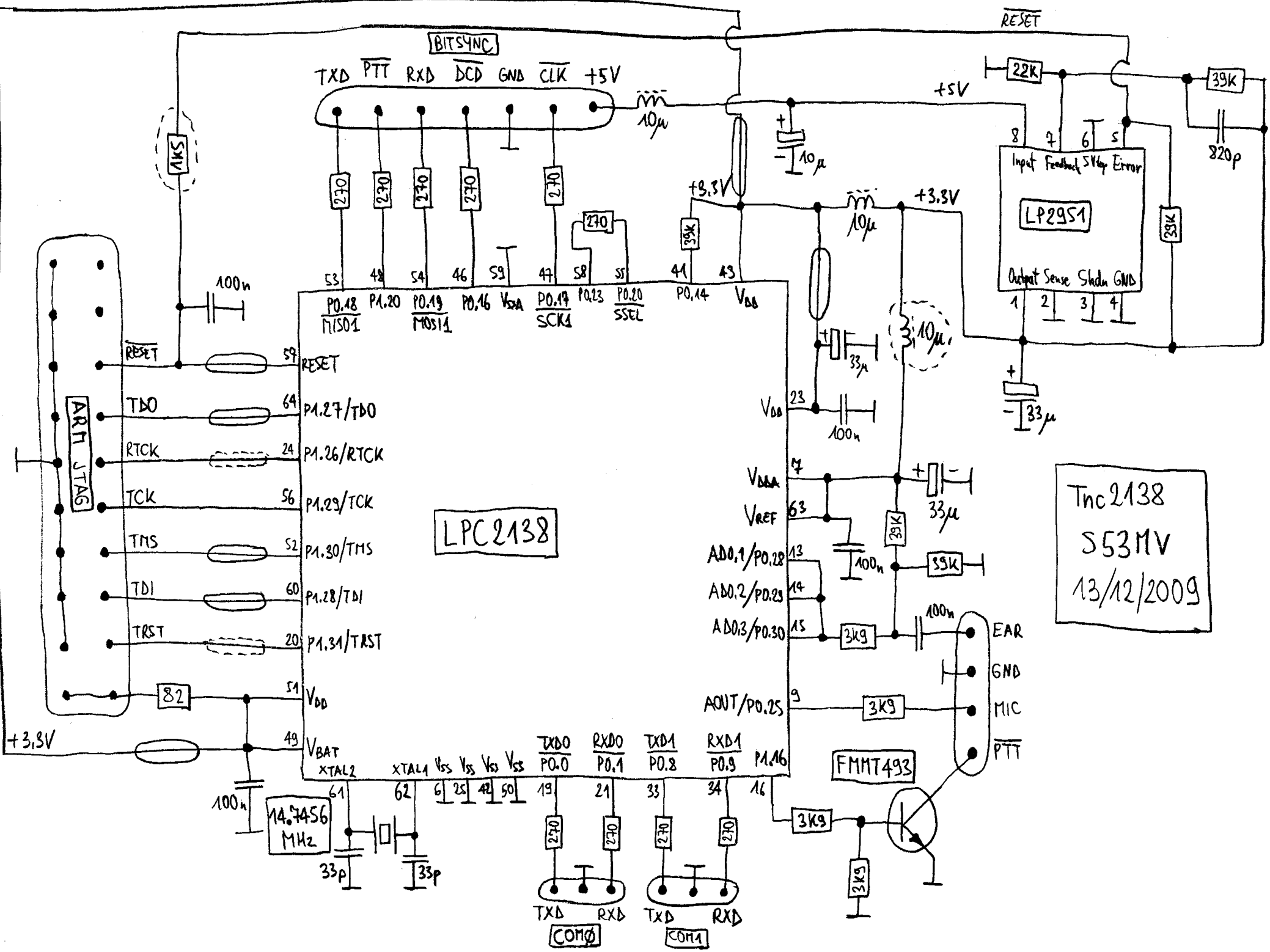
FE, Ljubljana, 16.01.2010

POŠILJATEJ prejme **TOVOR** in uporabi ARP tabelo



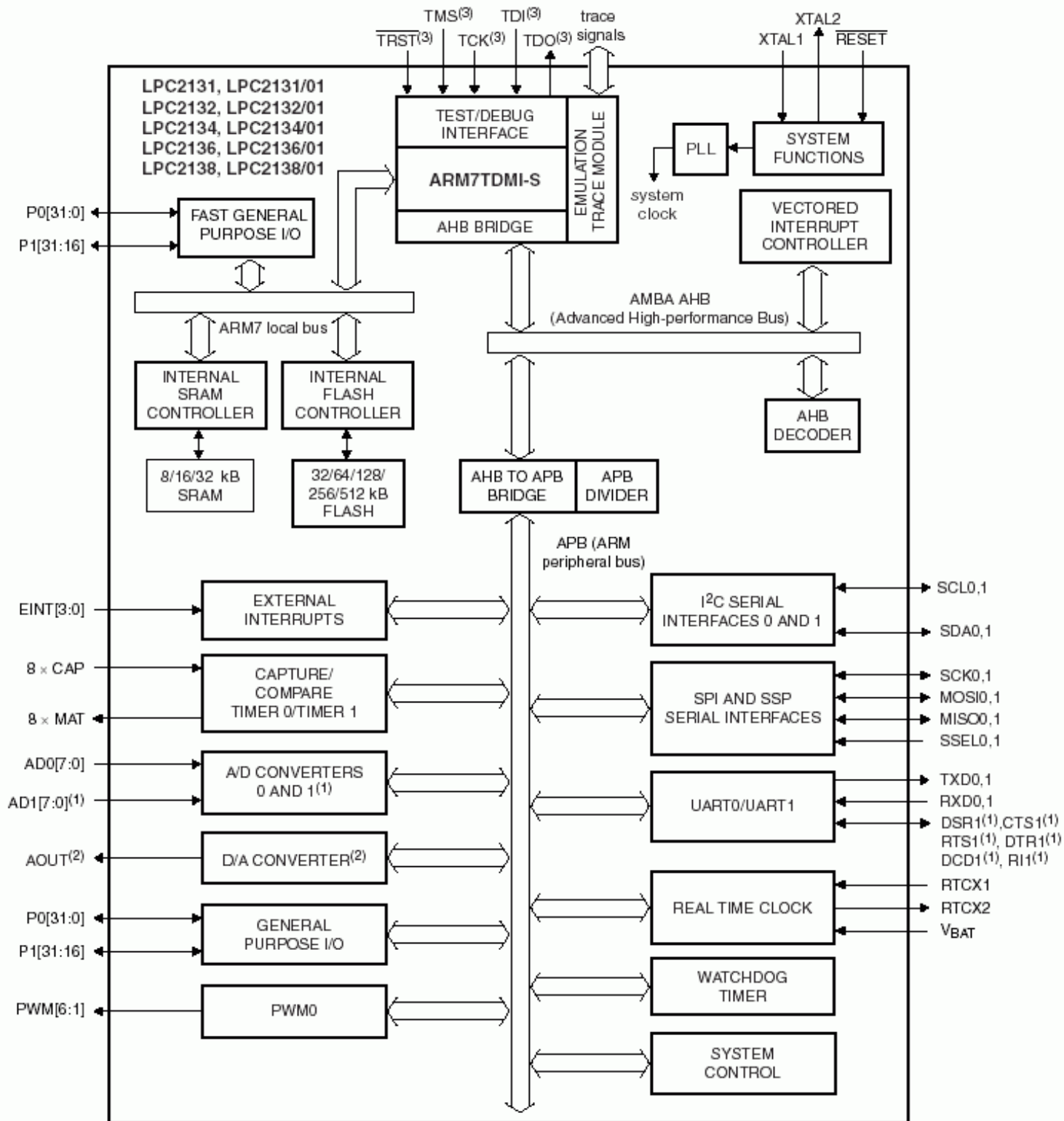


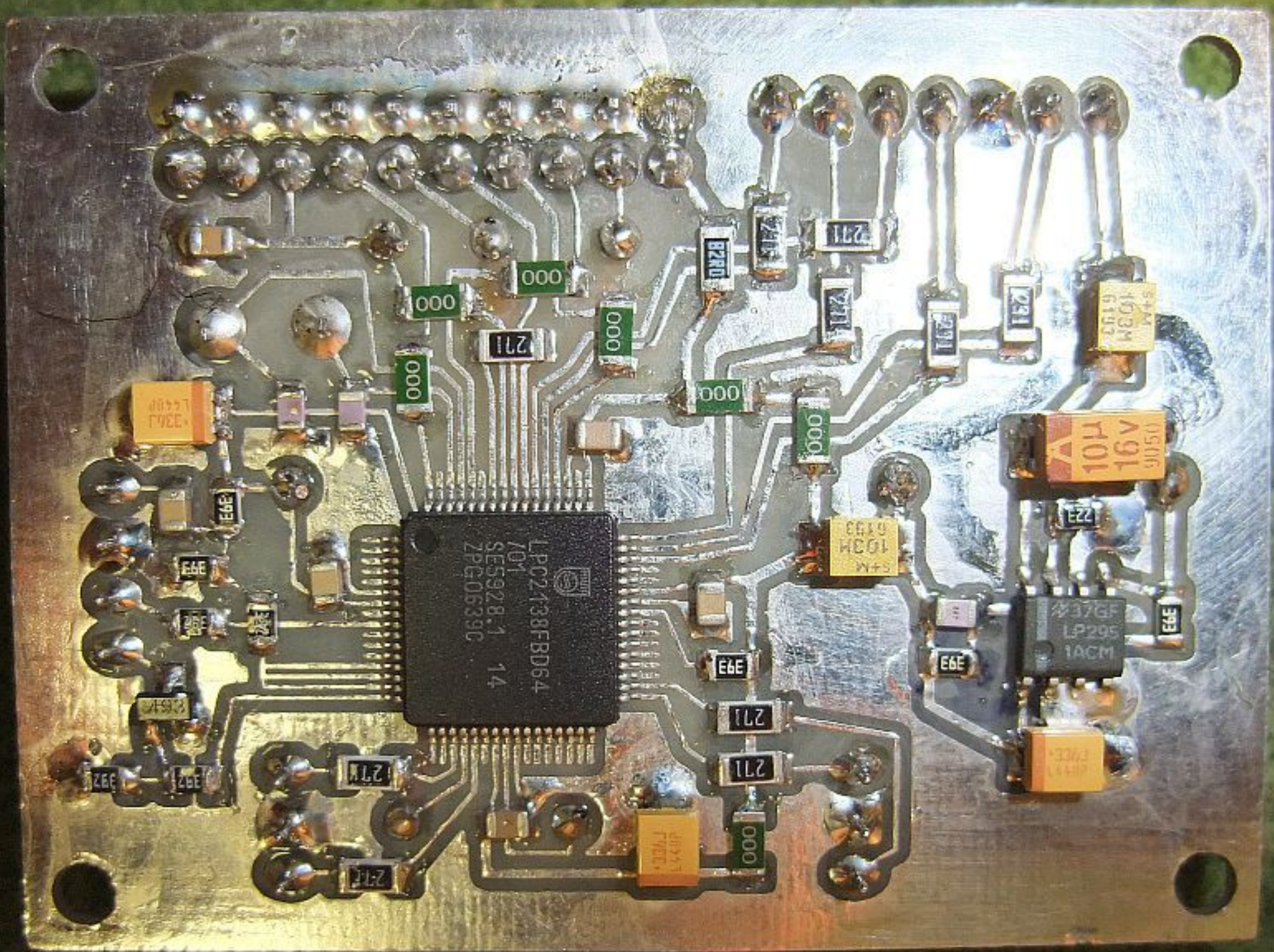


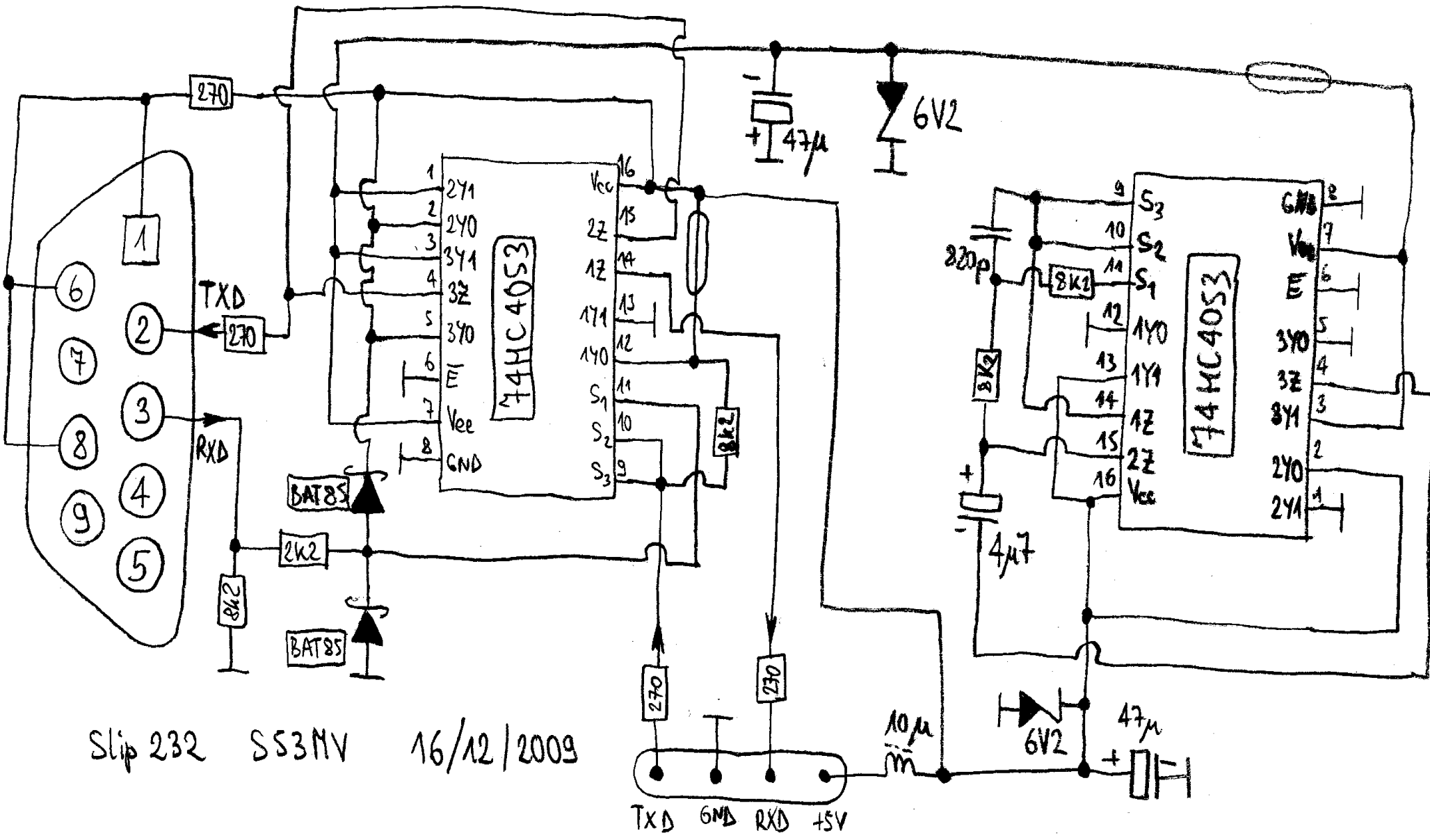


LPC2138

Tnc 2138
S53MV
13/12/2009



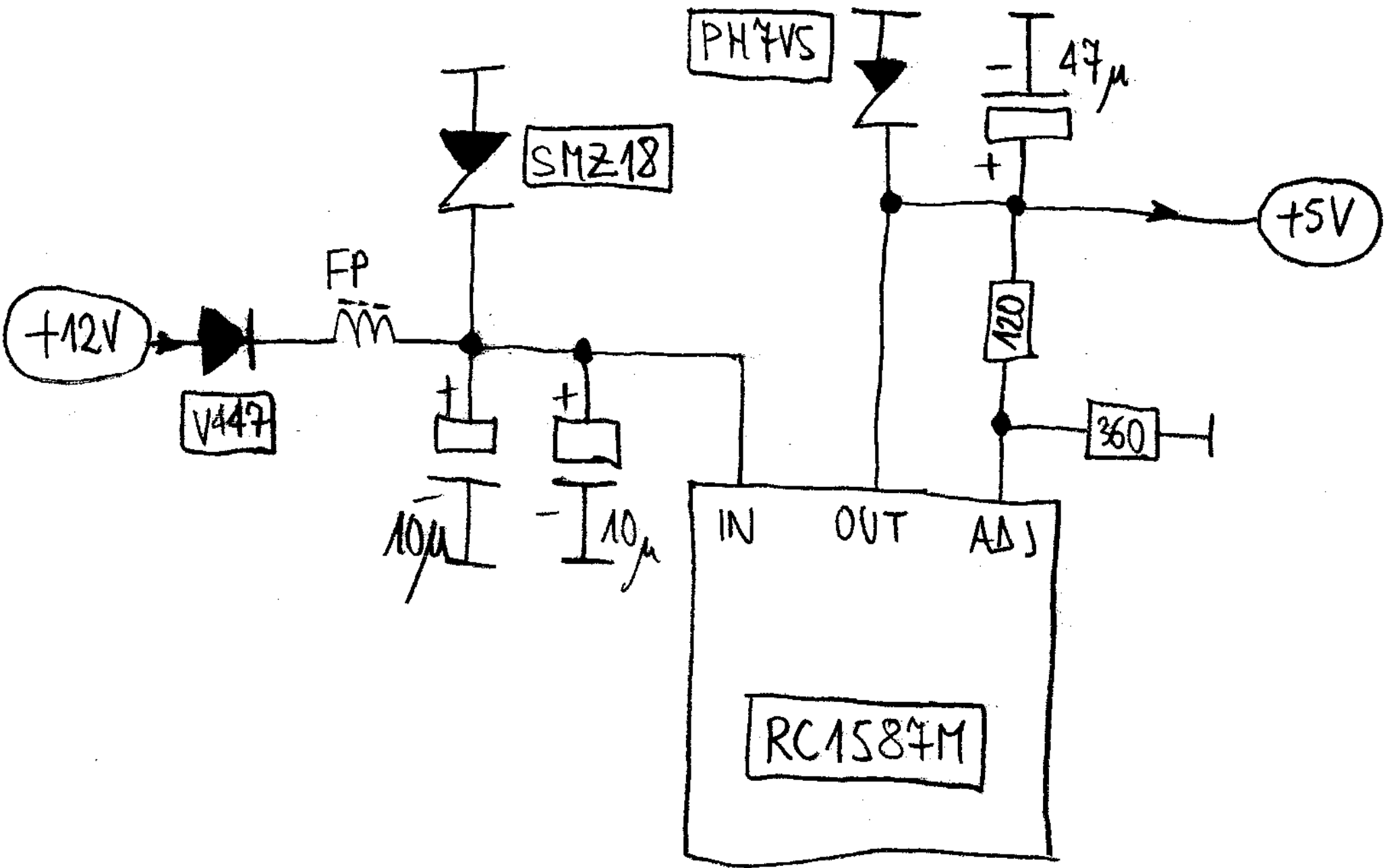




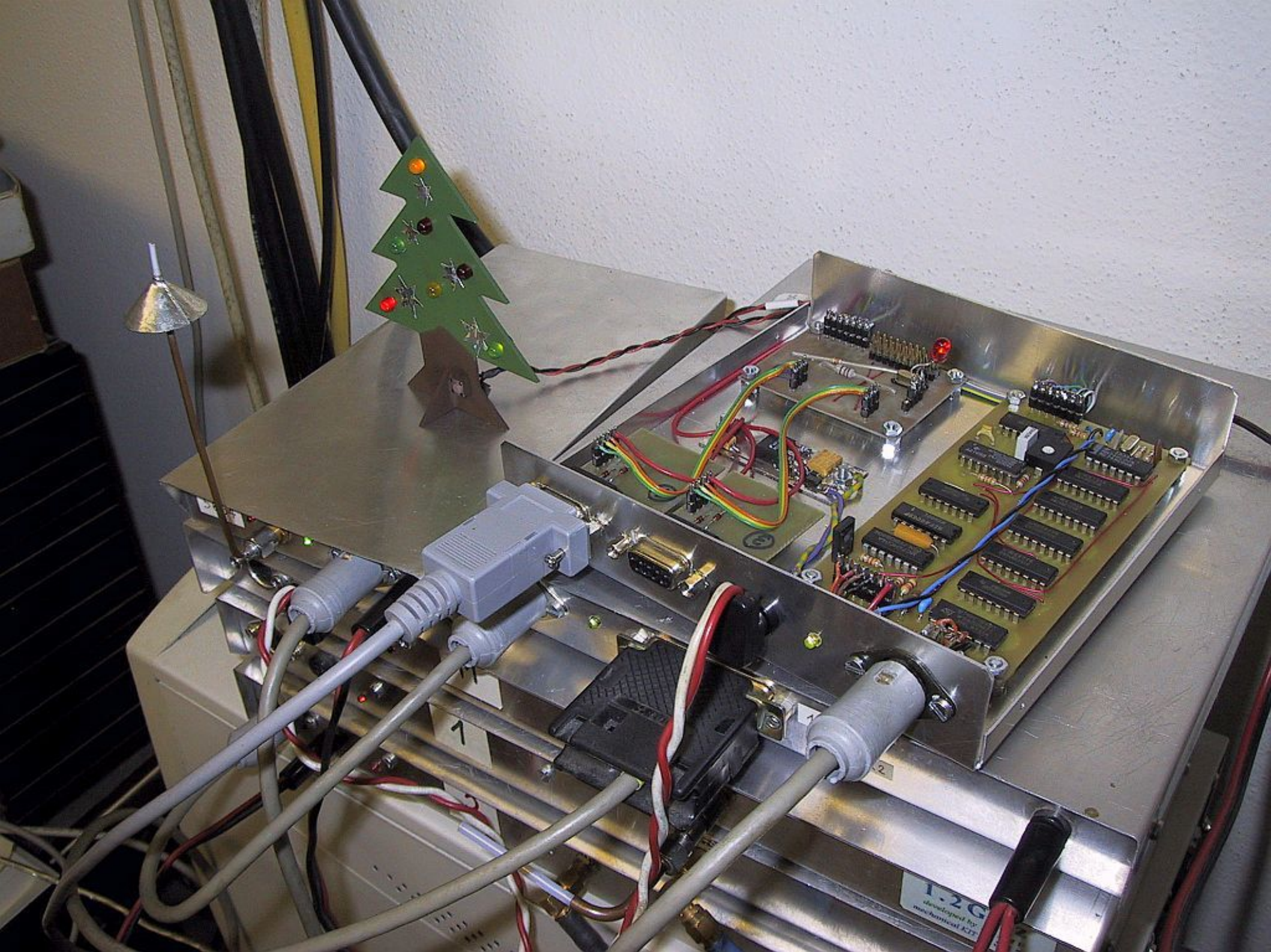
Slip 232 SS3MV 16/12/2009

TXD GND RXD +5V





Napajalnik +5V S53MV 19/12/2009



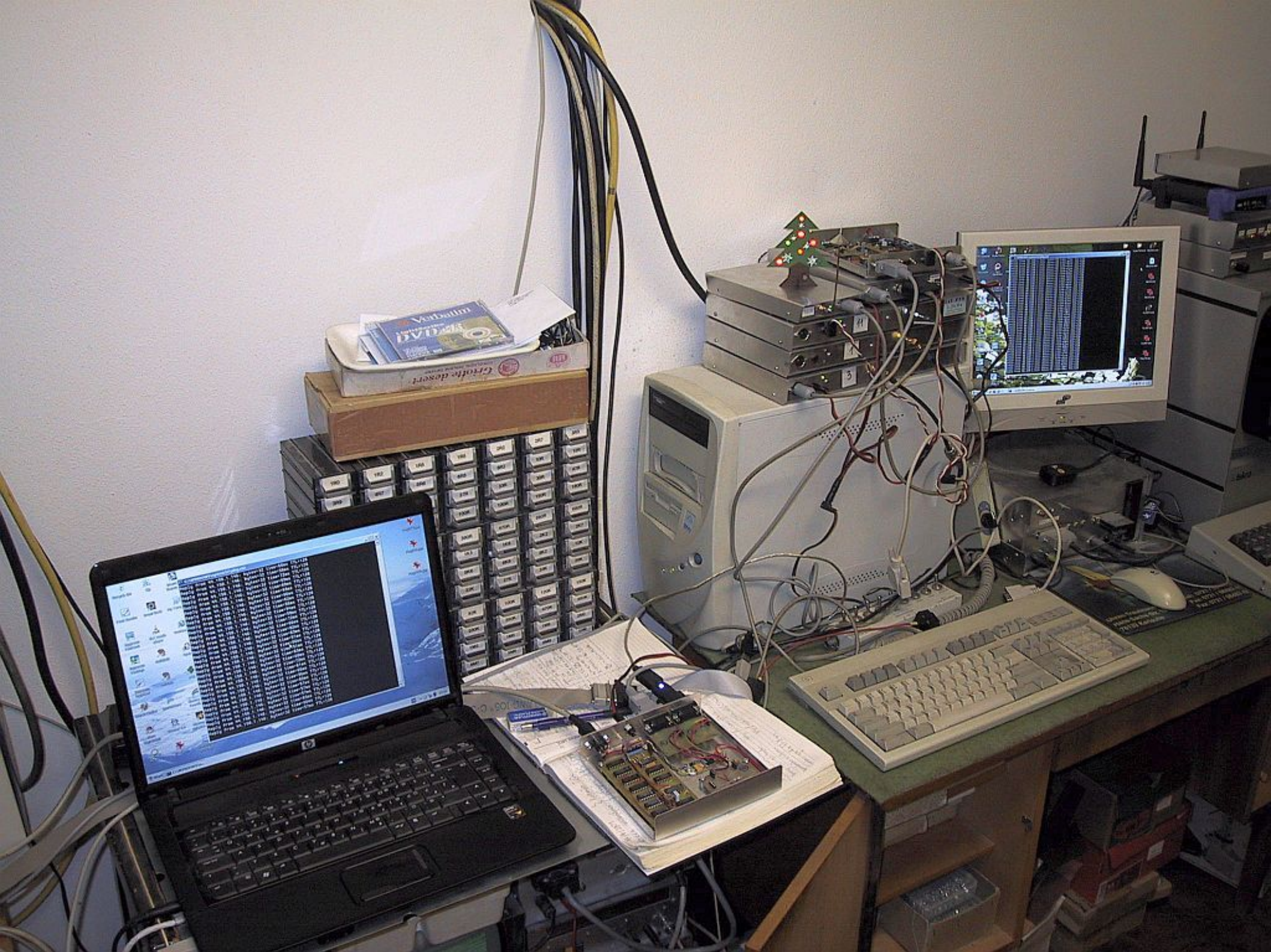
9600 - HyperTerminal

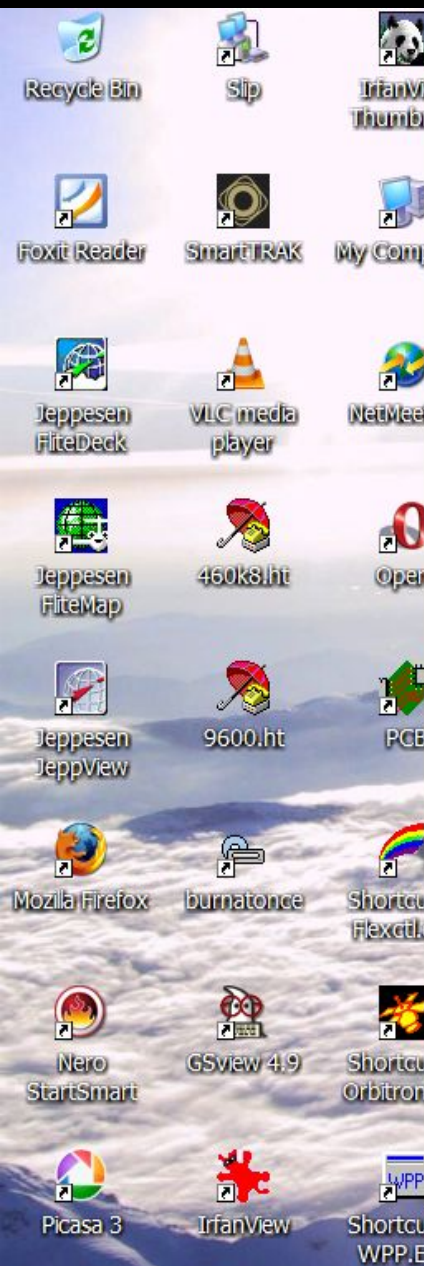
File Edit View Call Transfer Help

File Folder Phone Phone with antenna Document with red arrow Document with green arrow

```
a
*** ARP usmerjanje: 2=VPIS-DEF
44.150.1.146>A02
44.150.1.113>A03
44.150.8.1>A02,A01,A03
b
*** Baudrate UART1: 460800bit/s (FLASH+RESET)
h
*** HayesAT timeout: 600000us
j
*** Javi: Preizkus ATNC-001 S53MV
m
*** Moj naslov: A01
n
*** Naslov: A02
p
*** Ponovi: 33-krat Zakasnitev: 10000us
s
*** Slot: 3000us Glava: 1000us Rep: 200us
t
*** Tecnoba: 30000/65536 brez DCD: 300/65536
z
*** Zanke: 87409/s Delovanje: Od 3h 17min 35s Prosto: 13
_
```

Connected 00:03:00 Auto detect 9600 8-N-1 SCROLL CAPS NUM Capture Print echo

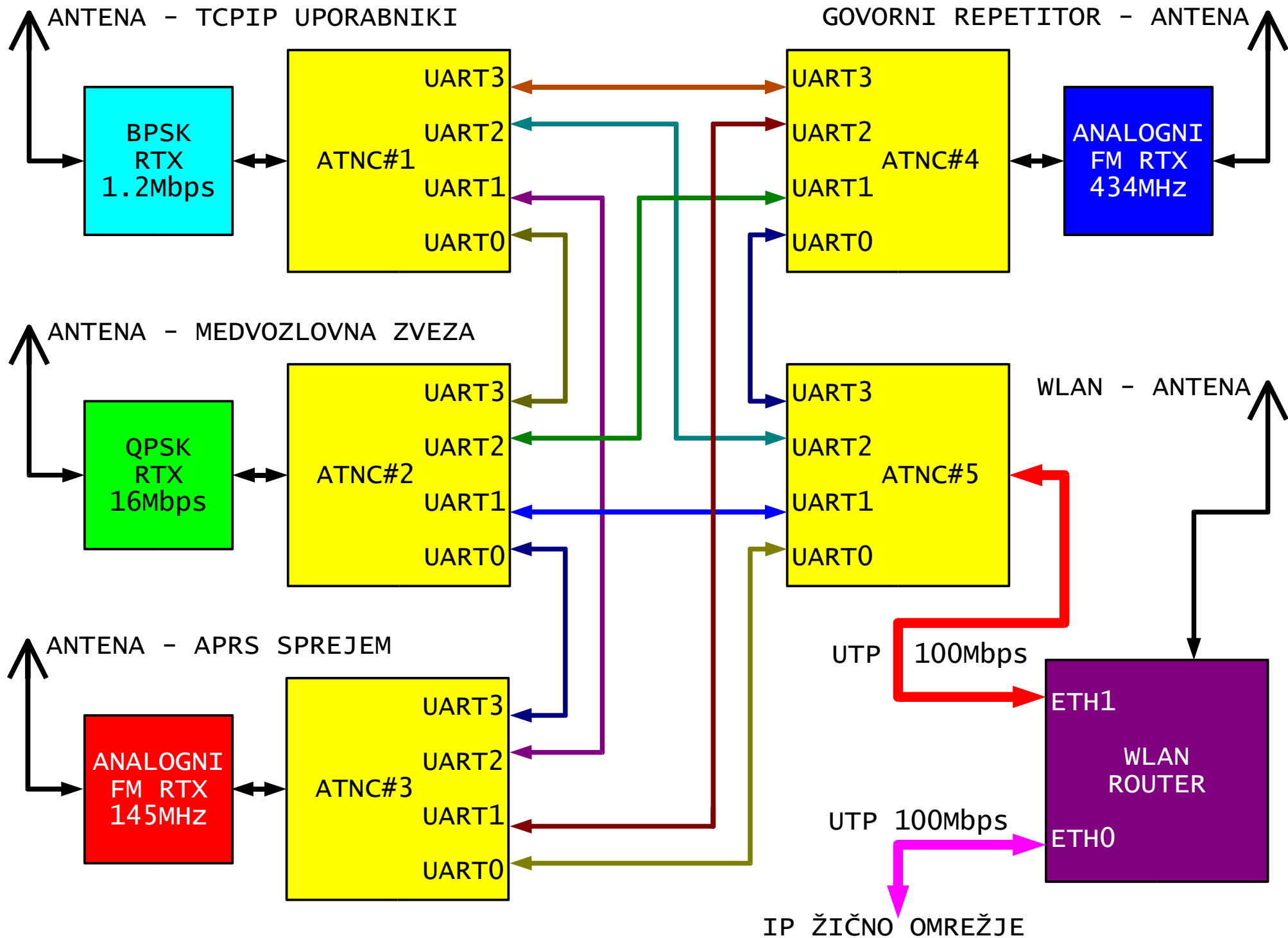




```
C:\WINDOWS\system32\ping.exe
Reply from 44.150.1.146: bytes=32 time=62ms TTL=128
Reply from 44.150.1.146: bytes=32 time=54ms TTL=128
Reply from 44.150.1.146: bytes=32 time=69ms TTL=128
Reply from 44.150.1.146: bytes=32 time=55ms TTL=128
Reply from 44.150.1.146: bytes=32 time=78ms TTL=128
Reply from 44.150.1.146: bytes=32 time=51ms TTL=128
Reply from 44.150.1.146: bytes=32 time=63ms TTL=128
Reply from 44.150.1.146: bytes=32 time=82ms TTL=128
Reply from 44.150.1.146: bytes=32 time=66ms TTL=128
Reply from 44.150.1.146: bytes=32 time=67ms TTL=128
Reply from 44.150.1.146: bytes=32 time=61ms TTL=128
Reply from 44.150.1.146: bytes=32 time=80ms TTL=128
Reply from 44.150.1.146: bytes=32 time=81ms TTL=128
Reply from 44.150.1.146: bytes=32 time=67ms TTL=128
Reply from 44.150.1.146: bytes=32 time=116ms TTL=128
Reply from 44.150.1.146: bytes=32 time=69ms TTL=128
Reply from 44.150.1.146: bytes=32 time=54ms TTL=128
Reply from 44.150.1.146: bytes=32 time=70ms TTL=128
Reply from 44.150.1.146: bytes=32 time=53ms TTL=128

Ping statistics for 44.150.1.146:
    Packets: Sent = 45126, Received = 45126, Lost = 0 (0% loss),
    Approximate round trip times in milli-seconds:
        Minimum = 32ms, Maximum = 203ms, Average = 72ms
Control-Break
Reply from 44.150.1.146: bytes=32 time=72ms TTL=128
Reply from 44.150.1.146: bytes=32 time=72ms TTL=128
Reply from 44.150.1.146: bytes=32 time=81ms TTL=128
Reply from 44.150.1.146: bytes=32 time=75ms TTL=128
Reply from 44.150.1.146: bytes=32 time=66ms TTL=128
Reply from 44.150.1.146: bytes=32 time=60ms TTL=128
```

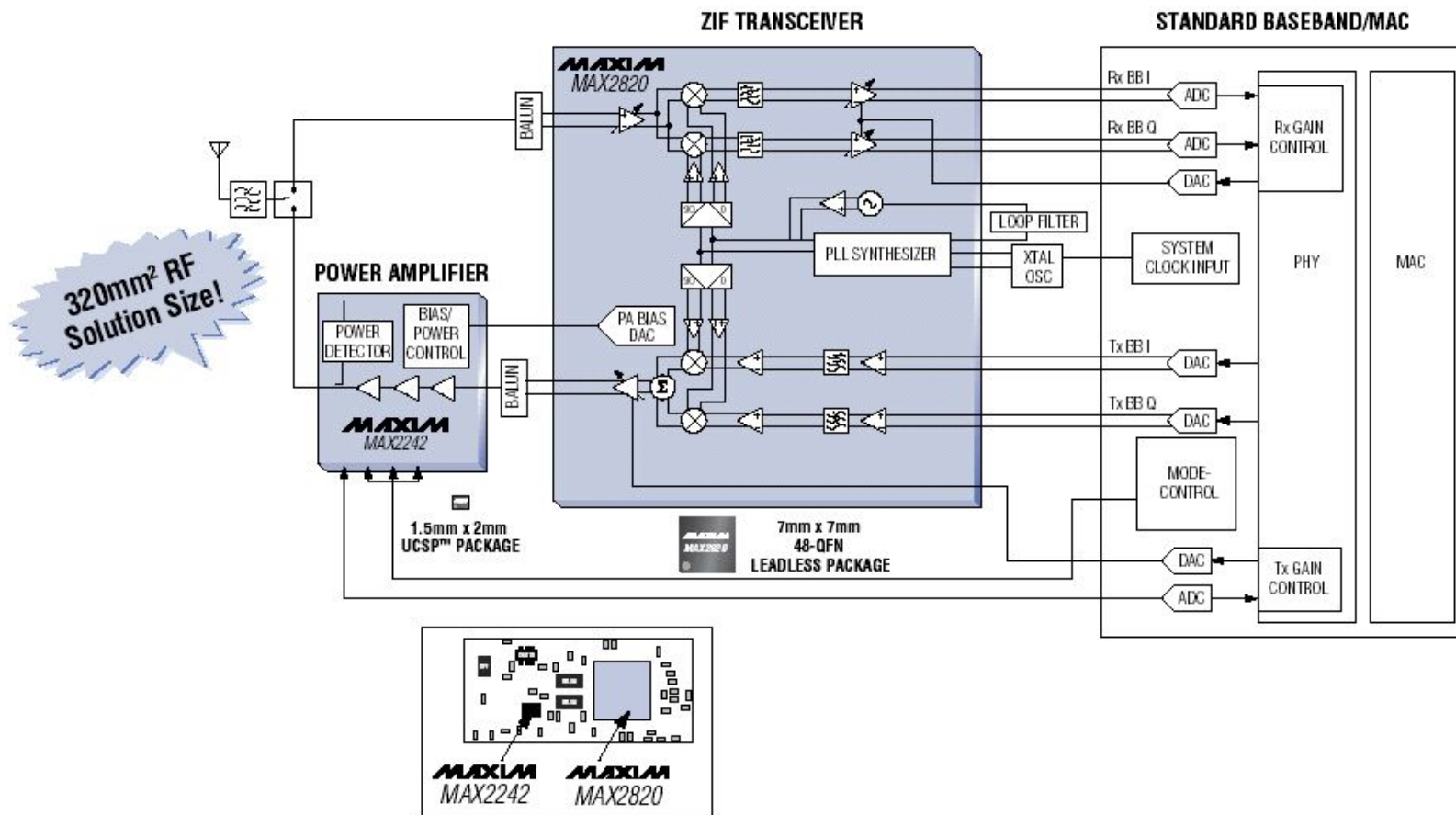




802.11b ZERO-IF RADIO DELIVERS -85dBm SENSITIVITY AT 11Mbps WITH LOWEST COST BOM

Higher Sensitivity and Fewer Components than All Other Solutions

The MAX2820 ZIF transceiver and MAX2242 power amplifier form a low cost, zero-IF radio that delivers 2dB to 3dB better sensitivity than other ZIF solutions. It saves up to three RF ICs, two RF filters, one IF SAW filter, and more than 30 extra components over existing superhet radio solutions. It is designed to support both 11Mbps CCK and 22Mbps PBCC™ modes.



MAX2820 ZIF Transceiver

MAX2242 PA

